



Features

- 2000 count display
- Full automatic measurement
 - *Voltage measurement
 - *Current measurement
 - *Resistor measurement
- Range change function
- Data hold function
- Diode measurement
- ADP mode with external reference voltage
- Serial data output (RS232 format)
- Auto power off (10 mins) and re-power on
- Low battery detect (3V and 9V)
- 3V DC power supply
- Back light function

Description

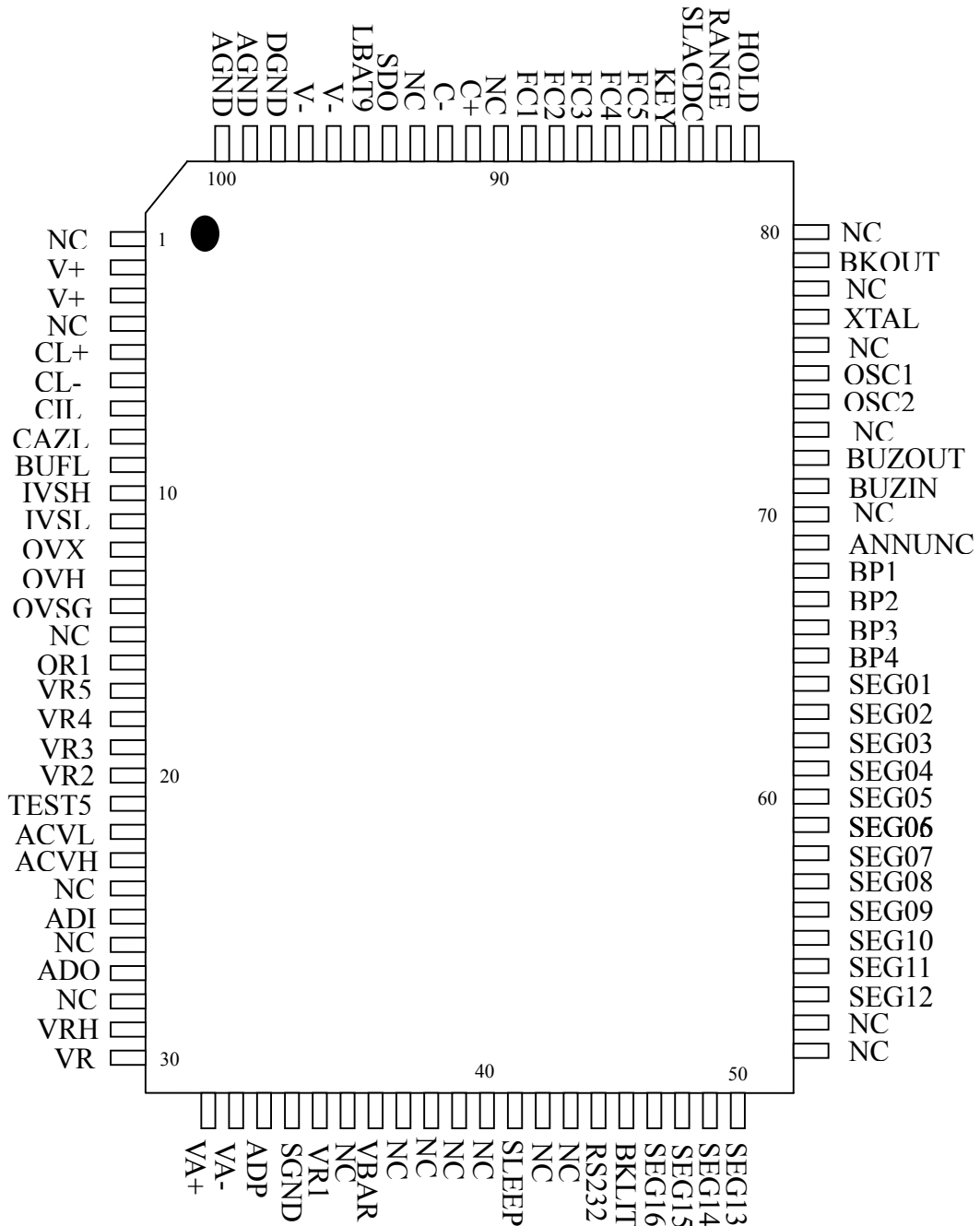
ES51981 is an integrated analog-to-digital Converter(ADC) with 2000 counts LCD display ,automatic range selection, and 3V DC power supply. Automatic range selection is provided for voltage(AC/DC) measurement, resistor measurement and current measurement. Expensive and bulky mechanical range switches are not required. Other features include data holding, diode measurement, temperature measurement, continuity checking, low battery detection, auto- power off, re-power on, and RS232 data output.

Application

Digital Multimeter



Pin Assignment





Pin Description

Pin No	Symbol	Type	Description
1	NC		
2	V+	P	Positive supply voltage, output of on-chip DC-DC converter.
3	V+	P	Positive supply voltage, output of on-chip DC-DC converter.
4	NC		
5	CL+	IO	High resolution positive connection for reference capacitor.
6	CL-	IO	High resolution negative connection for reference capacitor.
7	CIL	O	High resolution integrator output. Connected to integral capacitor
8	CAZL	O	High resolution auto-zero capacitor connection.
9	BUFL	O	Integral resistor connection for high resolution buffer output
10	IVSH	I	High current measurement input.
11	IVSL	I	Low current measurement input
12	OVX	I	Input high voltage for resistance measurement
13	OVH	I	Output connection for resistance measurement
14	OVSG	I	Sense low voltage for resistance measurement
15	NC		
16	OR1	O	Reference resistor connection for 399.9Ω range
17	VR5	O	Voltage measurement ÷10000 attenuator(2000V)
18	VR4	O	Voltage measurement ÷1000 attenuator(200.0V)
19	VR3	O	Voltage measurement ÷100 attenuator(20.00V)
20	VR2	O	Voltage measurement ÷10 attenuator(2.000V)
21	TEST 5	I/O	Test pin
22	ACVL	O	Negative output of AC to DC converter
23	ACVH	O	Positive output of AC to DC converter.
24	NC		
25	ADI	I	Negative input of internal AC to DC Opamp.
26	NC		
27	ADO	O	Output of internal AC to DC Opamp.
28	NC		
29	VRH	O	Output of band-gap voltage reference .Typically -1.2V
30	VR	I	Reference input voltage connection. Typically -100mV
31	VA+	I	For ADP. Deintegrating voltage positive input. The input should be higher than VA-.
32	VA-		For ADP. Deintegrating voltage negative input. The input should be lower than VA+.
33	ADP	I	ADP input
34	SGND	G	Signal Ground
35	VR1	I	Measurement input
36	NC		
37	VBAR	I	Decimal point control for temperature measurement in ADP mode.
38	NC		
39	NC		
40	NC		
41	NC		
42	SLEEP	O	Asserts low in the sleep mode. See page 8, function description
43	NC		
44	NC		
45	RS232	I	Pulse low to enable serial data output.
46	BKLIT	I	Back light function. Pulse low to set BKOUT pin output
47~50	SEG16~SEG13	O	LCD segment line 16~13

Continued on next page.....



...continued from previous page			
51	NC		
52	NC		
53~64	SEG12~SEG01	O	LCD segment line 12~01
65	BP4	O	LCD backplane 4
66	BP3	O	LCD backplane 3
67	BP2	O	LCD backplane 2
68	BP1	O	LCD backplane 1
69	ANNUNC	O	Square wave output at the backplane frequency, synchronized to BP1. ANNUNC can be used to control display annunciator. Connect an LCD segment to ANNUNC to turn it on; connect an LCD segment to its backplane to turn it off.
70	NC		
71	BUZIN	I	Enables the buzzer. Low active.
72	BUZOUT	O	Outputs an 2KHz audio frequency signal for driving piezoelectric buzzer when BUZIN is low.
73	NC		
74	OSC2	O	Crystal oscillator output connection
75	OSC1	I	Crystal oscillator input connection
76	NC		
77	XTAL	I	The chip uses internal RC oscillator if pin is connected to V-, and uses external crystal oscillator if this pin is floating or connected to DGND
78	NC		
79	BKOUT	O	If BKLIT function is enabled, this pin will change from -3V to +3V for 60 sec, once press BKLIT pin again within 60 sec, this pin will change back to -3V.
80	NC		
81	HOLD	I	Pulse low to enable HOLD mode.
82	RANGE	I	Pulse low to enable manual mode and manual range selection.
83	SLACDC	I	Select AC/DC initial state. This pin is pull low
84	KEY	I	Pulse low to change mode. In ADP mode, if this pin is connected to V-, the buzzer output will be off when the ADP input overflows.
85	FC5	I	Switch 5 for function selection.
86	FC4	I	Switch 4 for function selection.
87	FC3	I	Switch 3 for function selection.
88	FC2	I	Switch 2 for function selection.
89	FC1	I	Switch 1 for function selection.
90	NC		
91	C+	O	Positive capacitor connection for on-chip DC-DC converter.
92	C-	O	Negative capacitor connection for on-chip DC-DC converter.
93	NC		
94	SDO	O	RS232 compliant serial data output.
95	LBAT9	I	Low battery configuration. If 3V battery is used, connect it to AGND. The default low-battery threshold voltage is -2.3V. If 9V battery is used, the low battery annunciator is displayed when the voltage of this pin is less than VRH (-1.2V)
96	V-	P	Negative supply voltage. Connecting to battery negative terminal.
97	V-	P	Negative supply voltage. Connecting to battery negative terminal.
98	DGND	G	Digital ground, connected to battery positive terminal.
99	AGND	G	Analog ground.
100	AGND	G	Analog ground.



Absolute Maximum Ratings

Characteristic	Rating
Supply Voltage (V- to AGND)	-4V
Analog Input Voltage	V- -0.6 to V+ +0.6
V+	$V+ \geq (AGND/DGND+0.5V)$
AGND/DGND	$AGND/DGND \geq (V- -0.5V)$
Digital Input	V- -0.6 to DGND +0.6
Power Dissipation. Flat Package	500mW
Operating Temperature	0°C to 70°C
Storage Temperature	-25°C to 125°C

Electrical Characteristics

TA=25°C, V- = -3V

Parameter	Symbol	Test Condition	Min.	Typ.	Max	Units
Power supply	V-		-3.5	-3.0	-2.2	V
Operating supply current	I _{DD}	Normal operation	—	0.9	1.1	mA
In DCV mode	I _{SS}	In sleep mode	—	0.1	5	μA
Voltage roll-over error	REV	10MΩ input resistor	—	—	±0.1	%F.S
Voltage nonlinearity	NLV	Best case straight line	—	—	±0.1	%F.S
Input Leakage			-10	1	10	PA
Low battery flag voltage		V- to AGND	-2.5	-2.3	-2.1	V
Zero input reading		10MΩ input resistor	-000	000	+000	counts
Reference voltage and open circuit Voltage for 200Ω measurement	V _{REF}	100KΩ resistor between VRH and AGND	-1.3	-1.2	-1.1	V
Peak to peak backplane Drive voltage		-3.5V ≤ V ≤ -2.2V	3.00	3.2	3.40	V
Counter time base period		f _{OSC} = 4MHZ	—	1	—	sec
Open circuit voltage for Ω Measurement (except 200Ω)		Ω and Continuity Mode	-0.54	-0.47	-0.4	V
Internal pull-high to 0V Current		Between V- pin and HOLD, RANGE, KEY, FC1, FC2, FC3, FC4, FC5, XTAL, BKLIT	—	1.2	—	μA
		Between V- pin and RS232	—	11	—	
Internal pull-low to V- Current		Between GND Pin and SLACDC		1.5		μA
AC frequency response at 2.000V range		±1%	—	40-400	—	HZ
		±5%	—	400-2000	—	
Reference voltage temperature Coefficient	TC _{REF}	100KΩ resister Between VRH 0°C < TA < 70°C	—	50	—	ppm/°C

Note:

1.Full Scale



Function Description

1. Operating Modes

1.1 Voltage Measurement

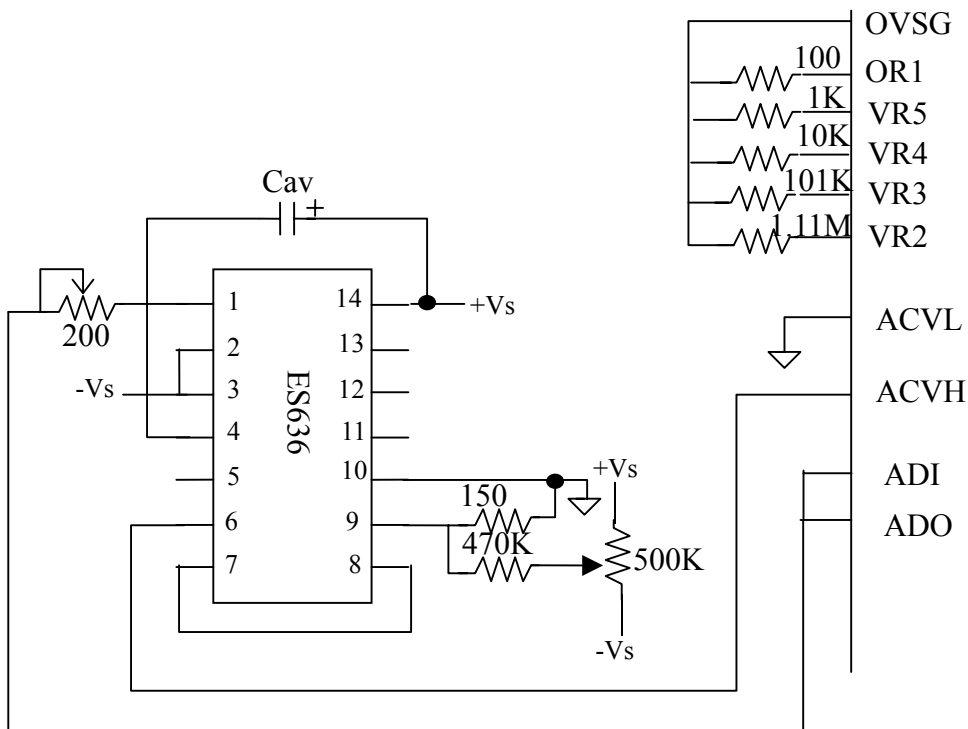
A reconfigurable voltage divider automatically provides a suitable range in voltage measurement mode. The following table summarizes the full scale ranges in each configuration.

Configuration	Full Scale Range	Divider Ratio	Resister Connection
VR1	200.0mV	1	-
VR2	2.000V	1/10	R2 / (R1+R2)
VR3	20.00V	1/100	R3 / (R1+R3)
VR3	200.0V	1/1000	R4 / (R1+R4)
VR5	2000V	1/10000	R5 / (R1+R5)

1. 200.0mV range only exists in manual mode.
2. In the 2000V range, if the digit numbers is larger than 1000V, LCD will display "OL".

The measurement of true RMS using ES636

If ES636 (or other true RMS-to-DC converter chip) is used for true RMS measurement, the suggested application circuit is shown below. When ES636 is used for true RMS, ADO and ADI pin short together, TEST5 pin keeps floating, and ACVL pin connects to SGND.





1.2 Resistance Measurement

A reconfigurable divider automatically provides a suitable full scale range in resistance measurement mode. The following table summarizes the full scale ranges and the reference resistors in each configuration.

Configuration	Full Scale Range	Divider Ratio	Resistor Connection
OR1	200.0Ω	R6	100Ω
OR2	2.000KΩ	R5	1KΩ
OR3	20.00KΩ	R4	10KΩ
OR4	200.0KΩ	R1 // R3	100KΩ
OR5	2.000MΩ	R1 // R2	1MΩ
OR6	20.00MΩ	R1	10MΩ

1.3 Current measurement

Current measurement has three modes. The following table summarizes the full scale range of each mode.

Mode	Range Selection	Full Scale
Automatic Mode 1	μA	200.0μA / 2000μA
Automatic Mode 2	mA	20.00mA / 200.0mA
Automatic Mode 3	A	20.00A/2.000A
Manual Mode	A	20.00A

1.4 Continuity Check

Continuity check shares the same configuration with 200.0Ω manual resistance measurement mode, but with buzzer output to indicate continuity. The buzzer generates a 2KHz sound whenever the digit number less than 25Ω. Because the cycle time of measurement is only 50ms, the least significant digit will not display.

1.5 Diode Measurement

Diode measurement mode shares the same configuration with 2.000V manual voltage measurement mode. If the test circuit is open or the voltage drop between the two ports of the device (diode) under test is larger than 2V, the LCD panel will show “OL”. The buzzer generates a 2KHz sound whenever the digit number is less than 0.25V. Because the cycle time of measurement is only 50ms, the least significant digit will not display.

1.6 Auto power off

ES51981 has a default auto power off function. If the meter idles for more than 10 minutes, the chip automatically turns the power off. When this happens, the state of the



meter is saved. In order to disable auto power off function, power on the meter when any of the push function, except for HOLD, is pressed down. In addition, when RS232 output is active, the auto power-off function is also disabled. The APO sign on the LCD panel indicates whether the auto power-off is enabled or not.

Note: Powering on the meter while pressing HOLD turns on all LCD segment until HOLD is pressed again.

1.7 Sleep

The meter enters sleep mode after auto power off. The SLEEP pin asserts low (-3V) in the sleep mode, and asserts high (+3V, not 0V) after re-power on.

1.8 Re-power on

After auto power-off, pushing any of the push function or changing the rotary mode can turn on the meter again. If the meter is re-powered on by changing the rotary mode, the saved state is cleared. If the meter is re-powered on by push functions, the chip restores the saved state and enters HOLD mode. The LCD displays the saved value.

2. Measurement Mode Switching

Measurement mode depends on the logic level of FC1, FC2, FC3, FC4, FC5, and KEY. When FC5 is HIGH, the measurement modes are listed in the following table.

SLACDC	FC1	FC2	FC3	FC4	Mode	Function of KEY
0	1	0	1	1	Voltage Measurement	DCV(initial) ↔ ACV
0	1	1	0	1	Current Measurement(μA)	DCA(initial) ↔ ACA
0	1	1	1	1	Current Measurement(mA)	DCA(initial) ↔ ACA
0	1	0	0	1	Manual Current Measurement(A)	DCA (initial) ↔ ACA
0	0	0	0	0	Auto Current Measurement(A)	DCA(initial)
1	1	0	1	1	Voltage Measurement	ACV (initial) ↔ DCV
1	1	1	0	1	Current Measurement(μA)	ACA(initial) ↔ DCA
1	1	1	1	1	Current Measurement(mA)	ACA (initial) ↔ DCA
1	1	0	0	1	Manual Current Measurement(A)	ACA (initial) ↔ DCA
1	0	0	0	0	Auto Current Measurement(A)	ACA (initial)
X	0	0	1	1	Resistance Measurement	Ω ↔ Continuity
X	0	1	0	1	Resistance Measurement	Ω ↔ Diode
X	0	0	0	1	Continuity Check	Continuity Diode
X	0	1	1	1	Resistance Measurement	Ω ↔ Continuity ↔ Diode
X	0	1	0	0	Temperature(°C)	—

Ps. X means “don’t care”



When FC5 is LOW, KEY is disable. The corresponding measurement modes are list below

SLACDC	FC1	FC2	FC3	FC4	Mode
0	1	0	1	1	AC Voltage Measurement
0	1	1	0	1	AC Current Measurement(μ A)
0	1	1	1	1	AC Current Measurement(mA)
0	1	0	0	1	Manual AC Current Measurement(A)
0	0	0	0	0	Auto AC Current Measurement(A)
1	1	0	1	1	DC Voltage Measurement
1	1	1	0	1	DC Current Measurement(μ A)
1	1	1	1	1	DC Current Measurement(mA)
1	1	0	0	1	Manual DC Current Measurement(A)
1	0	0	0	0	Auto DC Current Measurement(A)
X	0	0	1	1	Resistance Measurement
X	0	1	0	1	Resistance Measurement
X	0	0	0	1	Continuity Check
X	0	1	1	1	diode Measurement
X	0	1	0	0	Temperature($^{\circ}$ F)

Ps. X means “don’t care”

The other combinations of FC1, FC2, FC3, and FC4 are for ADP modes. In ADP modes , if FC5 is LOW, the minus sign on the LCD panel will not be displayed. And if KEY pin is floating, the buzzer beeps when the input signal is overflow. The ADP mode function is summarized below.

FC1	FC2	FC3	FC4	Mode
1	1	1	0	ADP0
1	1	0	0	ADP1
1	0	0	0	ADP2
1	0	1	0	ADP3

Note: Temperature measurement mode takes input signal from ADP pin. In temperature measurement mode, VBAR pin is used to control the right most digit point on the LCD panel. When VBAR is LOW, this digit point is displayed.

3. Push function

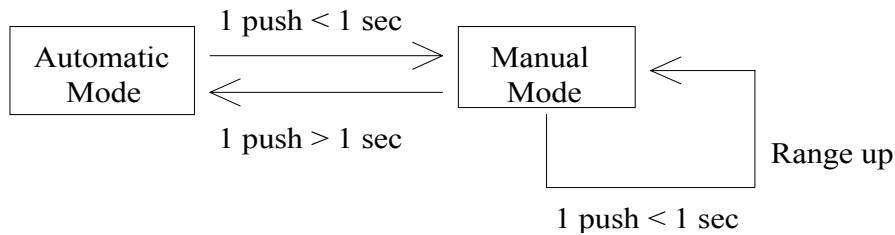
3.1 HOLD

HOLD mode makes the meter stop updating the LCD panel. This mode can be nested in most of the special modes. Enabling HOLD function in automatic mode makes the meter switch to manual mode, but the full scale range remains the same. HOLD function can be cancelled by changing the measurement mode, pressing RANGE, or push HOLD again.



3.2 Range

RANGE pin switches to and from automatic and manual mode, and while in manual mode, changes the full scale range. The following figure shows the state transition.



Measurement Mode	Auto	Manual	Control Range	Initial Range
V(DC/AC)	VR2 – VR5	VRi → VRi + 1, VR5 → VR1	200.0mV – 2000V	2.000V
μA(DC/AC)	R1 – R2	R1 → R2, R2 → R1	200.0μA - 2000μA	200.0μA
mA (AC/DC)	R1 – R2	R1 → R2 R2 → R1	20.00mA – 200.0mA	20.00mA
Auto A(DC/AC)	R1 – R2	R1 → R2, R2 → R1	2.000A – 20.00A	2.000A
A(DC/AC)	fixed	fixed	20.00A	20.00A
Ω	OR1- OR6	ORi → ORi + 1, OR6 → OR1	200.0Ω – 20.00MΩ	200.0Ω
Continuity	fixed	fixed	200.0Ω	200.0Ω
Diode	Fixed	fixed	2.000V	2.000V

Note: Pushing RANGE resets all existing special modes.

3.3 KEY

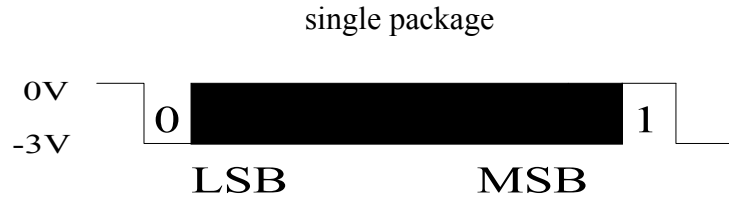
See Section “Measurement Mode Switching” for the function of this pin.

4. Serial Data Output

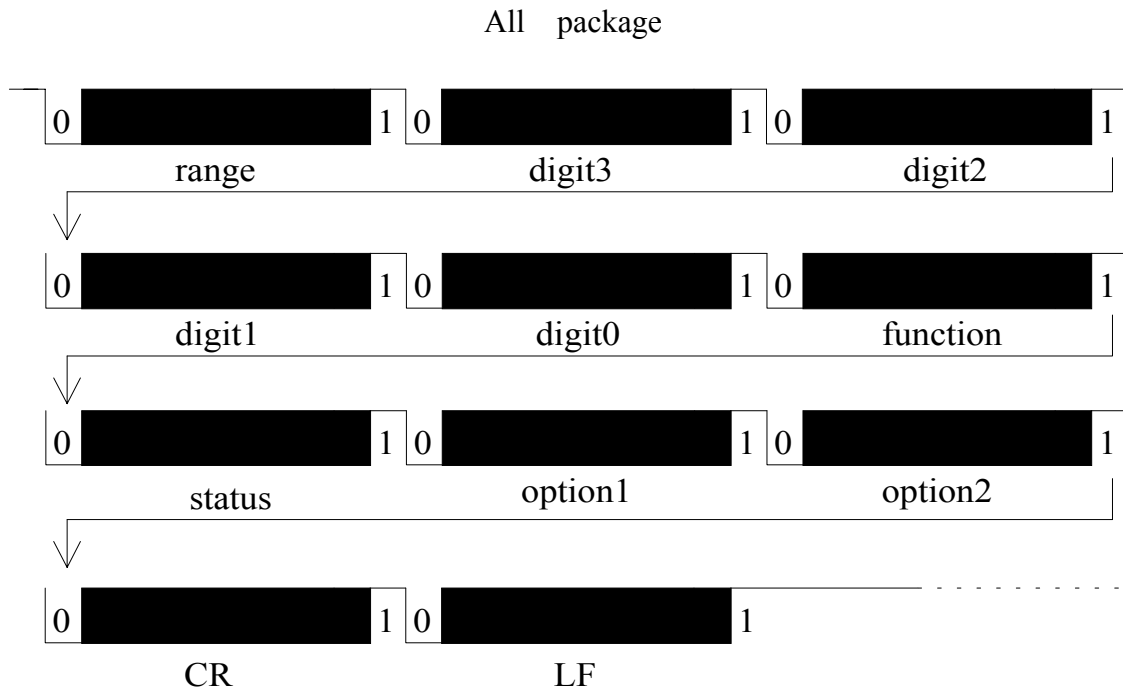
The serial data sent to SDO pin twice every A/D conversion cycle. The data format complies with JIS 7Bits transmission code with a baud rate of 19230. The host can use RS232 interface to read the data. A single data packet includes a start bit (always 0), 7 data bits, an odd parity check bit, and a stop bit (always 1). The high and low voltage levels correspond to DGND and V- respectively. SDO remains at 1 (high) when it is inactive. Hence the start bit (0) could be used as the triggering signal to begin the reading process. The following figure shows the data format of a single packet. The



LSB is sent first and the MSB is sent last.



One data block consists of 11 packets, or 110 bits. The following figure shows the format of a data block. The range packet indicates the full scale range of the meter. Digit 3 through digit 0 are just the digits on the LCD panel. The function packet indicates the measurement mode of the meter. Status, option 1 and option 2 give the status of the meter. CR and LF are delimiters used to separate the blocks.



The meter always outputs the current input value to the serial port in spite of HOLD mode. Each block is repeated twice in one conversion cycle. The detailed data format of each packet is listed below.

4.1 FUNCTUON

This packet indicates the measurement mode of the meter. The following table summarizes the transmitted code for each mode. Note that the encoding of this packet is different from the encoding of FC1-FC4 switch.

Code	Measurement Mode
0111011	Voltage
0111101	μ A Current
0111111	mA Current
0110000	Auto A current
0111001	Manual A Current
0110011	Ω
0110101	Continuity
0110001	Diode
0110100	1*Temperature
0111110	ADP0
0111100	ADP1
0111000	ADP2
0111010	ADP3

Note: 1*.The judge bit in the Status packet determines whether the unit is Celcius or Fahrenheit.

4.2 RANGE

This packet indicates the full scale range of the meter. When the meter operates in continuity mode, diode mode, or current (A) mode, this packet is always 0110000 since the full scale range in these modes are fixed. The following table lists the code for each range in each measurement mode.

Code	V	mA	μ A	Auto A	Ω
0110000	2.000V	20.00mA	200.0 μ A	2.000 A	200.0 Ω
0110001	20.00V	200.0mA	2000 μ A	20.00 A	2.000K Ω
0110010	200.0V				20.00K Ω
0110011	2000V				200.0K Ω
0110100	200.0mV				2.000M Ω
0110101					20.00M Ω
0110110					

4.3 DIGIT 3 – DIGIT 0

Digit 3 is the most significant digit on the LCD panel, and digit 0 is the least significant digit. When the LCD panel shows OL, the serial port outputs 2000.



Digit	Code
0	0110000
1	0110001
2	0110010
3	0110011
4	0110100
5	0110101
6	0110110
7	0110111
8	0111000
9	0111001

Because the cycle time of measurement for continuity/diode mode is only 50ms, the least significant digit may not be accurate.

4.4 STATUS

The format of this shown below. The Judge field is meaningful only when the Function packet indicates Temperature mode. In Temperature mode, judge is 1 if the unit is °C and is 0 of the unit is °F . Sign field indicates whether the minus sign on the LCD panel is on or off. BATT field is one of battery low condition is true. OL indicates input overflow.

0	1	1	Judge	Sign	BATT	OL
BIT 6	BIT 5	BIT 4	BIT 3	BIT 2	BIT1	BIT 0

4.5 OPTION 1

This packet is not used.

0	1	1	HOLD	0	0	0
BIT 6	BIT 5	BIT 4	BIT 3	BIT 2	BIT1	BIT 0

If Hold field is 1, Hold function is active. Hold function will not influence Digital 3~0 which is related to current measured value.

4.6 OPTION 2

This packet contains information on the operation mode of the meter. The format is shown below. The DC field indicates that the meter operates in DC measurement mode, either voltage or current. The AC field indicates that the meter operates in AC measurement mode, either voltage or current. The AUTO field is set to one if the meter operates in automatic mode, and is set to zero when the meter operates in manual mode.

0	1	1	DC	AC	AUTO	0
BIT 6	BIT 5	BIT 4	BIT 3	BIT 2	BIT1	BIT 0



4.7 CR

Carrage return. The transmitted code is 0001101.

4.8 LF

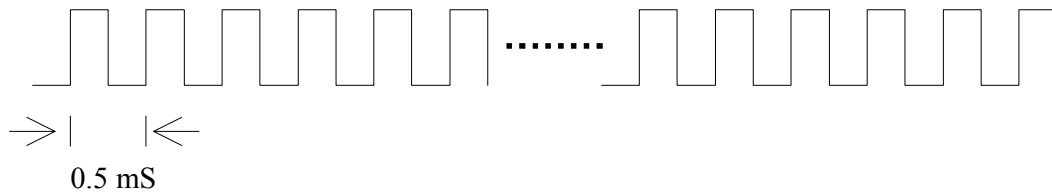
Line feed. The transmitted code is 0001010.

5. Miscellaneous

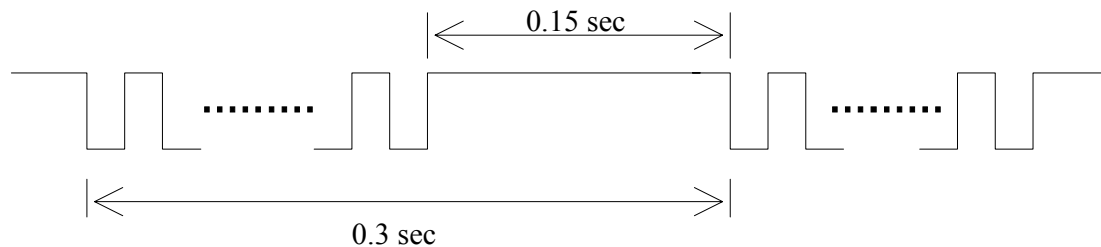
The conditions which the meter turns on the buzzer include:

- (1) Changing measurement mode generates one beep.
- (2) Pressing any of the push junctions generates one beep, if the function is valid.
- (3) Power on and re-power on generate one beep.
- (4) Input overflow in voltage and current mode generates one beep every 0.3 seconds (or 3.33 beeps per second.)
- (5) Continuity(diode) check generates a continuous 2KHz beep whenever the measurement is less then 25Ω(0.25V)
- (6) Auto power off generates a 2KHz beep which lasts for 1.5 seconds.

The following figures shows the output waveform from the BUZOUT pin.



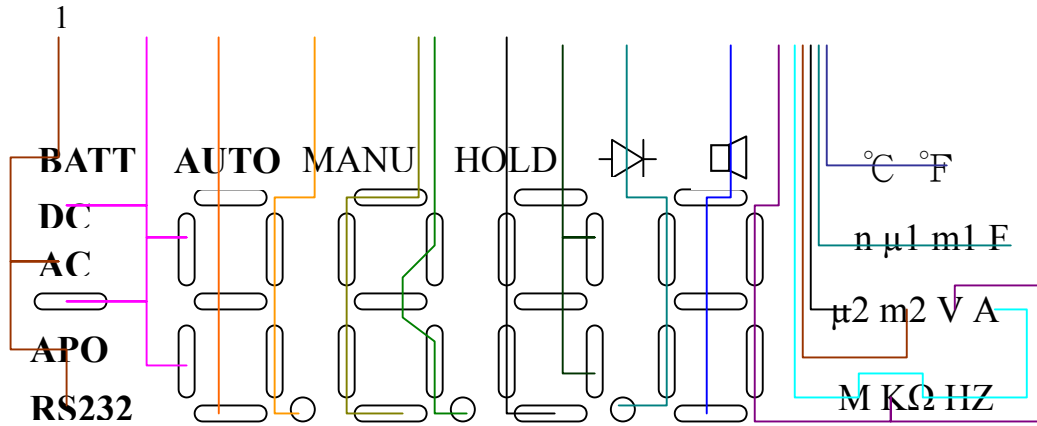
(a) Continuous 2KHz beep



(b) 3.33 beep/sec



5.1 LCD Panel

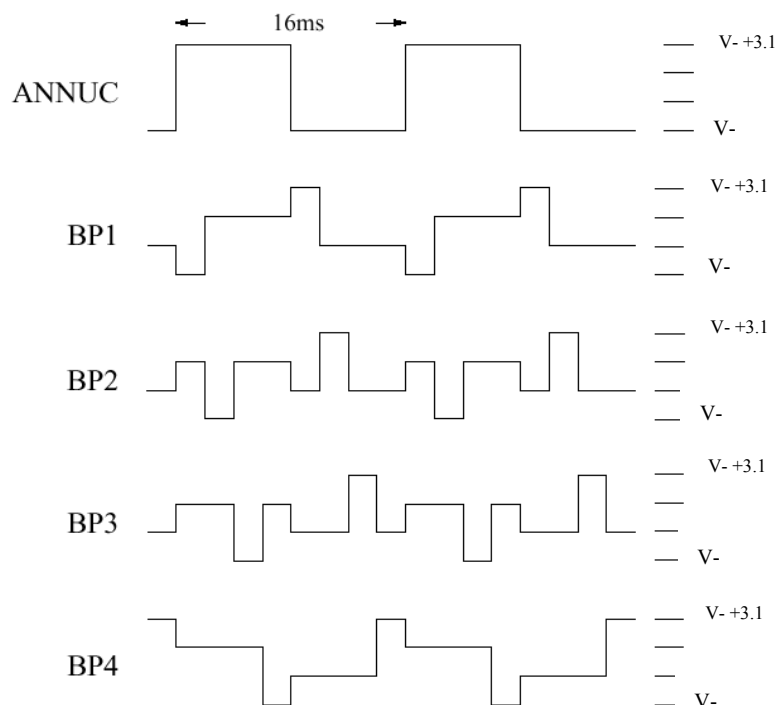


	SEG01	SEG02	SEG03	SEG04	SEG05	SEG06	SEG07	SEG08
BP1	BATT	DC	AUTO	MANU	A3	B3	HOLD	A2
BP2	AC	F4	A4	B4	F3	G3	F2	B2
BP3	APO	—	G4	C4	E3	C3	E2	G2
BP4	RS232	E4	D4	P3	D3	P2	D2	C2

SEG09	SEG10	SEG11	SEG12	SEG13	SEG14	SEG15	SEG16
		V	A	m2	u2	n	°C
F1	A1	B1	M	×	×	u1	°F
E1	G1	C1	HZ	×	×	m1	×
P1	D1	K	Ω	×	×	F	×



5.2 LCD Backplane Waveform



5.3 LCD display on condition

LCD Annunciator	Condition
V	In voltage measurement mode, and diode measurement mode.
A	In current measurement mode.
Ω	In resistance measurement mode, and continuity mode.
F	In capacitance measurement mode.
	In continuity check mode.
	In diode mode.
Hz	In frequency mode.
DC	In DC voltage or DC current mode.
AC	In AC voltage or AC current mode.
AUTO	When automatic full scale range selection is enabled.
MANU	In manual mode.
HOLD	When HOLD function is enabled.
m1	In capacitor measurement mode and the full scale range is in the order of mF.
u1	In capacitor measurement mode and the full scale range is in the order of uF.
n	In capacitor measurement mode and the full scale range is in the order of nF.
m2	In voltage or current measurement mode and the full scale range is in the order of 10^{-3} .
u2	In current measurement mode and the full scale range is in the order of uA.
M	In resistance measurement mode and the full scale range is in the order of M Ω
K	In resistance measurement mode and the full scale range is in the order of K Ω
$^{\circ}\text{C}$	In temperature measurement mode and when the unit is $^{\circ}\text{C}$
$^{\circ}\text{F}$	In temperature measurement mode and when the unit is $^{\circ}\text{F}$
APO	When auto power off function is enabled.
-	In voltage or current measurement mode and when the input is negative.



5.4 Operating Timing

ES51981 incorporates a dual slope ADC with four phases: ZI, AZ, INT and DINT.

The timing of each phase is listed below.

*Voltage /ohm/ADP measurement:

Phase	Time
ZI	100ms
AZ	100ms
INT	100ms
DINT	200ms

Ps. In the voltage and ohm measurement with auto mode, if the range is changed, the internal clock rate will increase ten times and the new measurement cycle becomes 1/10 times of the original cycle until the range is stable.

*Current mode

Phase	Time
ZI	100ms
AZ	100ms
INT	100ms
DINT	100ms

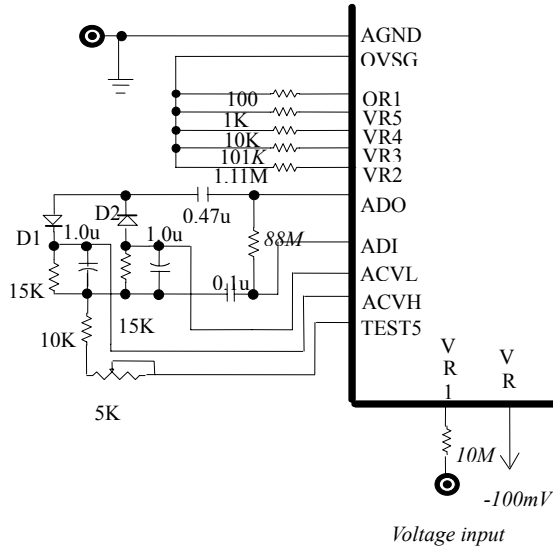
*Continuity/diode measurement

Phase	Time
ZI	10ms
AZ	10ms
INT	10ms
DINT	20ms

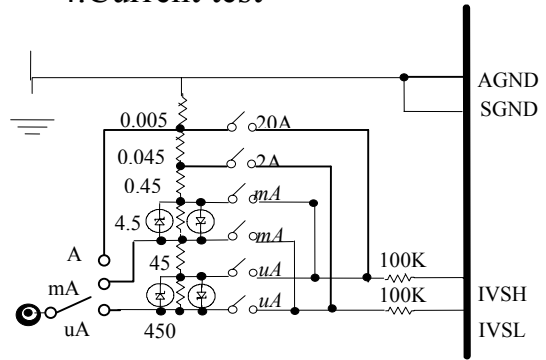


6. Test circuit

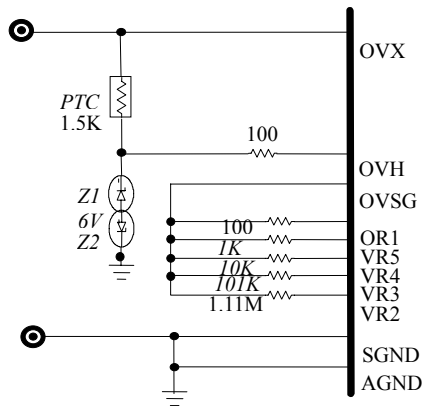
1. Voltage test



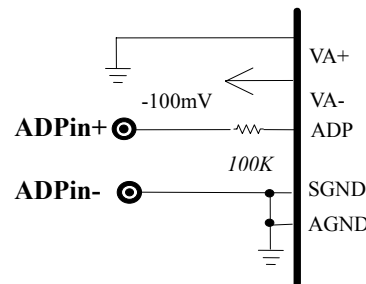
4. Current test



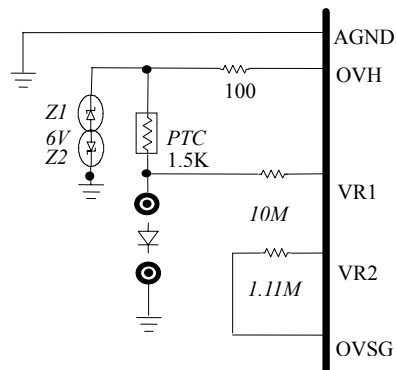
2. Resistor test



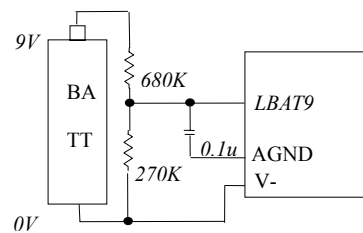
5. ADP test



3. Diode test



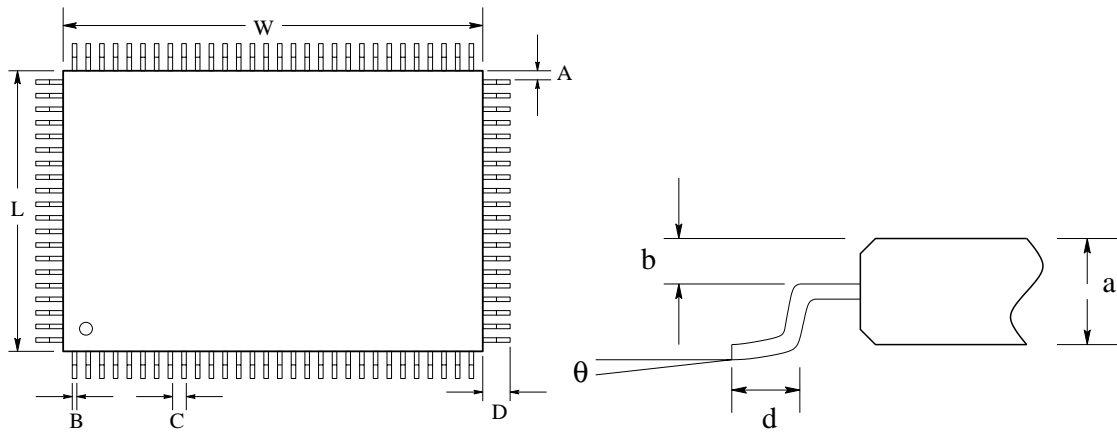
6. Low battery





Package

1 100 Pin QFP Package



2 Dimension Parameters

Symbol	Milimeter			Mill		
	Min.	Typ.	Max.	Min.	Typ.	Max.
W	19.90	20.00	20.10	783.5	787.4	791.3
L	13.90	14.00	14.10	547.2	551.2	551.2
A		0.425			16.7	
B	0.20	0.30	0.40	7.9	11.8	11.8
C		0.65			25.6	
d	1.05	1.20	1.35	41.3	47.2	47.2
a	2.57	2.72	2.87	101.2	107.1	107.1
D		2.50			98.4	
θ	0°		10°			