

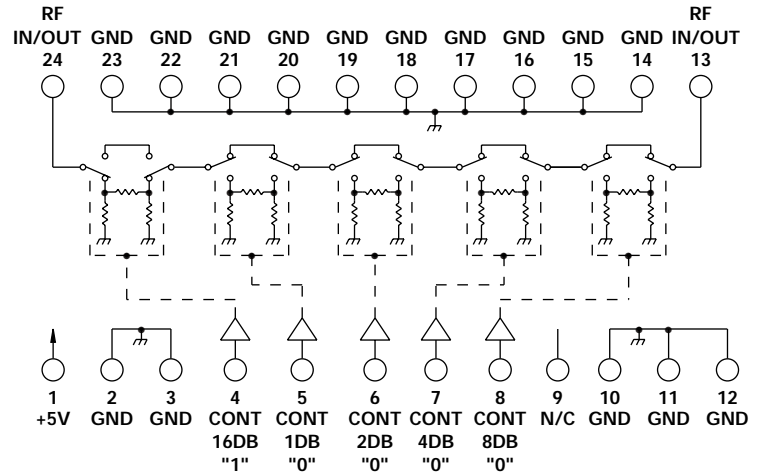
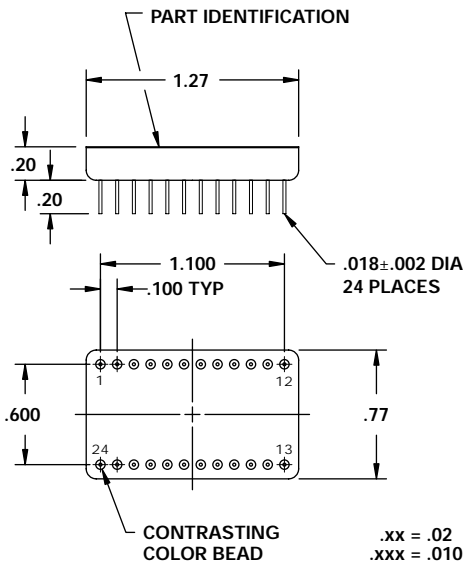
## FEATURES

- 10 - 1000 MHz
- 1 mA, +5 VDC
- 1 dB LSB, 31 dB Range
- 38 nSec Switching Speed
- 12 nSec Transition Time
- TTL Control
- 24 Pin DIP



MODEL NO.  
DA0885

## GaAs 5 Section Attenuator



## GUARANTEED PERFORMANCE

Parameter	Min	Typ	Max	Units	Conditions
Operating Frequency	10		1000	MHz	
DC Current		1	5	mA	At +5 VDC Supply
Control Type		TTL			5 Line Logic "0" = Thru Logic "1" = Attenuation
Control Current	<i>High</i>	0	±40	µA	VIH = +3.0 V
	<i>Low</i>	0	±40	µA	VIL = +0.5 V
Insertion Loss		3.9	5.0	dB	10 - 100 MHz
		5.1	6.5	dB	100 - 1000 MHz
Attenuation	<i>LSB</i>	1		dB	
	<i>Range</i>	0	31	dB	1, 2, 4, 8, 16
	<i>Accuracy</i>			dB	± (0.25 dB ± 2% of Atten. Setting in dB)
	<i>Vs. Phase</i>	0.6	±5	DEG	At 240 MHz
VSWR		1.2/1	1.4/1		
Impedance		50		OHMS	
Switching Speed		38	50	nSec	50% TTL to 90% / 10% RF
Transition (Rise/Fall) Time		12		nSec	90% / 10% or 10% / 90% RF
Switching (Video) Transients		130		mV	Peak Value
Intercept Points	<i>2nd</i>	+65		dBm	70 MHz / 50 MHz
	<i>3rd</i>	+44		dBm	35 MHz / 50 MHz
RF Power	<i>Operate</i>	+13	+10	dBm	0.1 dB Compression
	<i>No Damage</i>		+27	dBm	
Operating Temperature	-55	+25	+125	°C	TA

