

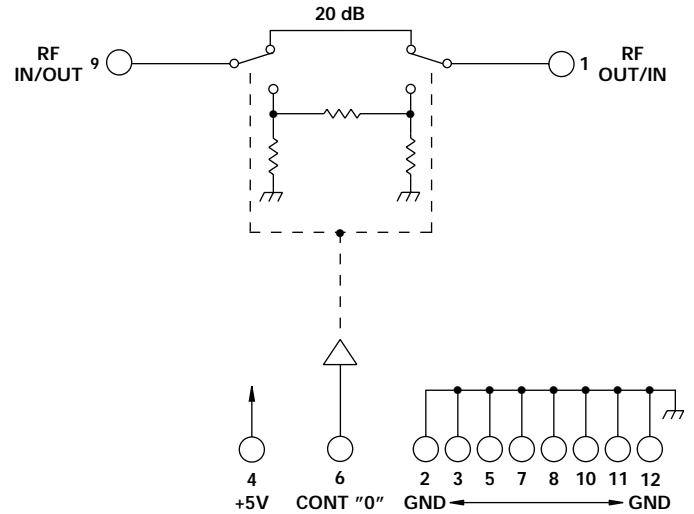
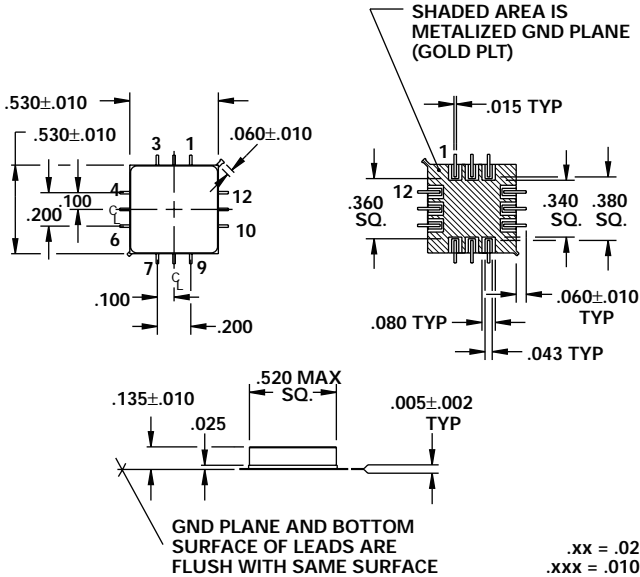
FEATURES

- 200 - 600 MHz
- Small Size
- Surface Mount
- 0.2 mA, +5 VDC



MODEL NO.
DAT15073

Attenuator 1 Section



GUARANTEED PERFORMANCE

Parameter	Min	Typ	Max	Units	Conditions
Operating Frequency	200		600	MHz	
DC Current		0.2	1.0	mA	At +5 VDC Supply
Control Type		CMOS			1 Line Logic "0" = Thru Logic "1" = Attenuation
Control Current	<i>High</i>	0	±20	µA	3 - 5 Volts
	<i>Low</i>	0	±20	µA	0 - 0.5 Volts
Insertion Loss		1.0	1.5	dB	
Attenuation	<i>LSB</i>	20		dB	See Table
	<i>Range</i>	0	20	dB	See Table
	<i>Accuracy</i>			dB	± (0.15 dB +2% of Atten Setting in dB)
	<i>Flatness</i>		±0.2	dB	
VSWR		1.1/1	1.25/1		
Impedance		50		OHMS	
Switching Speed		20	50	nSec	50% Control Signal 90% / 10% RF
Transition (Rise/Fall) Time		10		nSec	90% / 10% or 10% / 90% RF
Switching (Video) Transients		45		mV	Peak Value
Intercept Points	<i>2nd</i>	+75	+80	dBm	
	<i>3rd</i>	+40	+48	dBm	
RF Power	<i>Operate</i>		+12	+10	0.1 dB Compression
	<i>No Damage</i>			+27	dBm
Operating Temperature	0	+25	+65	°C	TA
Non-Operating Temperature	-34		+95	°C	TA

