


SPST

FEATURES

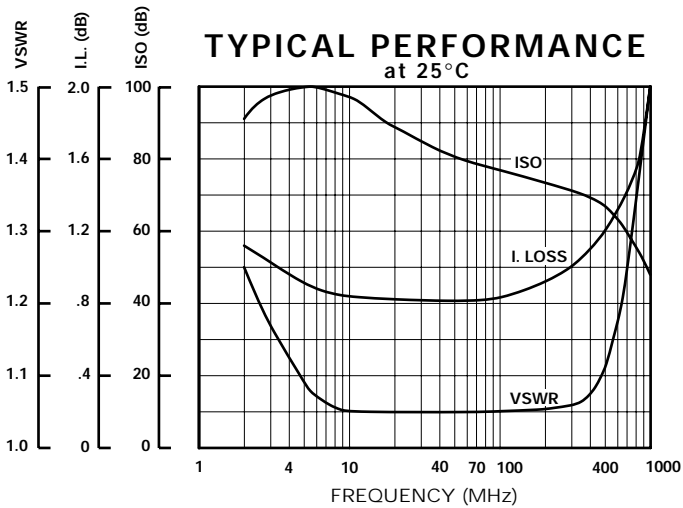
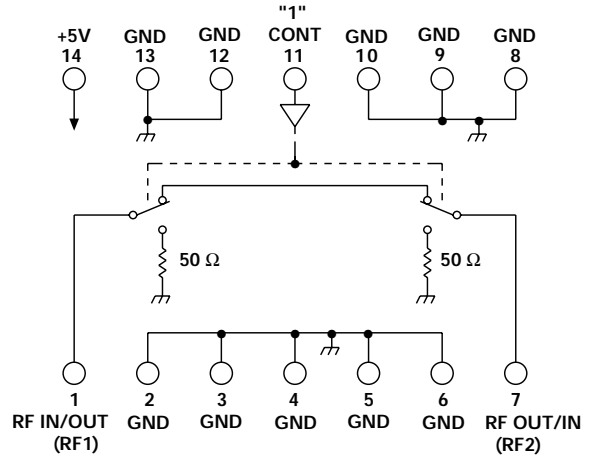
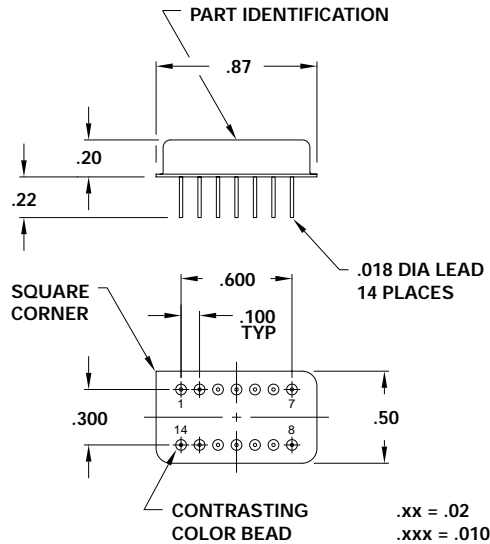
- 5 - 400 MHz
- 3 nSec 10% / 90% RF Transition
- 9 nSec Switching Speed
- 60 dB Isolation
- TTL Driver
- Non-Reflective
- 14 Pin DIP



MODEL NO.
DS0950

Schottky Diode SPST

STOCKED



GUARANTEED PERFORMANCE

| Parameter | Min | Typ | Max | Units | Conditions |
|------------------------------|-------------|-------|-------|-------|---|
| Operating Frequency | 5 | | 400 | MHz | |
| DC Current | | 62 | 100 | mA | at +5 VDC Supply |
| Control Type | | TTL | | | 1 Line Logic "0" = Isolation Logic "1" = THRU |
| Control Current | | 0 | ±20 | µA | VIH = +2.7V VIL = +0.5V |
| Insertion Loss | | 0.9 | 1.2 | dB | 5 - 100 MHz |
| | | 1.1 | 1.5 | dB | 100 - 400 MHz |
| Isolation | | 60 | 80 | dB | 5 - 100 MHz |
| | | 50 | 65 | dB | 100 - 400 MHz |
| VSWR | Thru | 1.2/1 | 1.4/1 | | |
| | Termination | 1.2/1 | 1.5/1 | | |
| Impedance | | 50 | | OHMS | |
| Switching Speed | | 9 | 15 | nSEC | 50% TTL to 90% / 10% RF |
| Transition (Rise/Fall) Time | | 3 | 7 | nSEC | 90% / 10% or 10% / 90% RF |
| Switching (Video) Transients | | 35 | 50 | mV | Peak Value |
| Intercept Points | 2nd | +80 | | dBm | 70 MHz / 50 MHz |
| | 3rd | +35 | | dBm | 35 MHz / 50 MHz |
| RF Power | Operate | +12 | +10 | dBm | 0.1 dB Compression |
| | No Damage | | +20 | dBm | |
| Operating Temperature | -55 | +25 | +85 | °C | TA |