

Single Output UNR SM Series

Surface-Mount, Non-Isolated
1.8/2.5/3.3V, 3.6-10W DC/DC Converters

Features

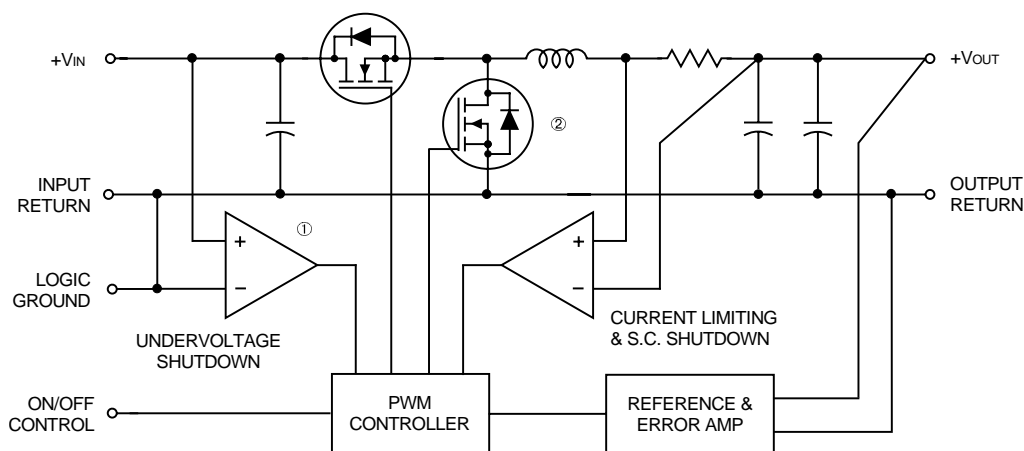
- Low cost! High reliability!
- 1" x 1" x 0.47", SMT package
- Gull-wing leads; Standard reflow
- Complete; No external components
- Outputs: 1.8V/2A, 2.5V/2A, 3.3V/3A
- Inputs: 4.75-5.5V, 10.4-13.6V
- Guaranteed efficiencies to 87%
- Output noise as low as 30mVp-p
- Transient response as quick as 20μsec
- -40 to +70°C operation with no derating
- On/off control; EMC compliant
- IEC950/EN60950/UL1950 pending
- Modifications and customs for OEM's

DATEL's new 3.6-10W UNR SM Series consists of non-isolated, 5V-to-1.8V (2A), 5V-to-2.5V (2A), 5V-to-3.3V (3A), and 12V-to-3.3V (3A) DC/DC converters in miniature, 1" x 1" surface-mount packages. The "gull-wing" packages (with metal shells and non-conductive plastic baseplates) weigh a mere 17 grams and can withstand temperatures up to +235°C. They are compatible with virtually all contemporary pick-and-place and solder-reflow processes.

The true benefits of distributed power will ultimately be realized only when every low-voltage, high-current CPLD, ASIC, DSP, etc. has its own "power plant" right next to it. With isolated DC/DC converters inevitably residing at the edges of boards in proximity with backplanes and power buses, the "on-board" proliferation of distributed power will continue with more cost-effective, non-isolated devices. The low-cost, easy-to-use (no external components required), highly reliable (100% fully automated SMT construction) 3.6-10W UNR SM Series makes this power processing at the concluding point of use a practical reality today.

These versatile DC/DC's are fully line and load regulated. They feature user-optional on/off control (for power-sequencing requirements), output current limiting, and short-circuit protection (foldback technique with auto-recovery). Additionally, the 12V-to-3.3V model offers input undervoltage lockout (at 9.6V). Their impressive guaranteed efficiencies enable all models to deliver their fully rated output power from -40 to +70°C (ambient) without heat sinking or forced-air cooling.

If you've already considered and rejected the use of inefficient, step-down, linear regulators, take a look at one of these new switching buck regulators. Their high efficiency, ease-of-use, long-term reliability, and overall cost effectiveness will impress you. Safety agency approvals are currently in progress.



- ① "D5" models do not have input undervoltage shutdown.
 ② "D5" models employ a more traditional buck-regulator design in which this FET is replaced with a power Schottky diode.

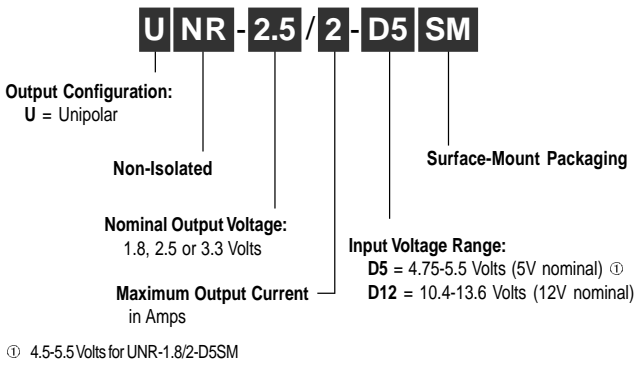
Figure 1. Simplified Schematic

Performance Specifications and Ordering Guide ^①

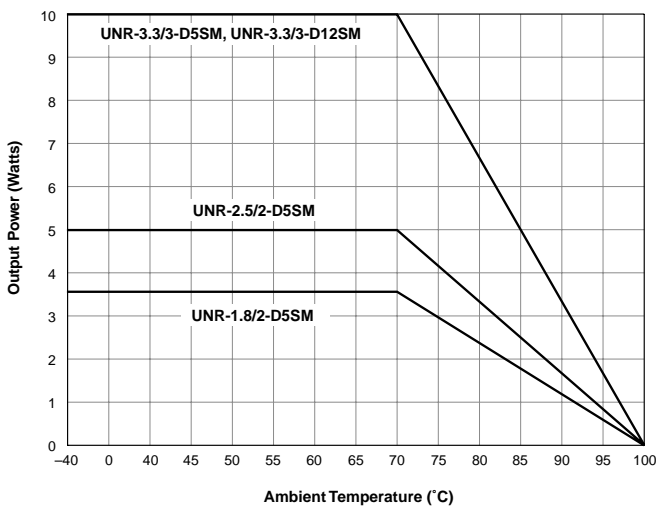
Model	Output						Input			Efficiency		Package (Case, Pinout)
	V _{OUT} (Volts)	I _{OUT} (Amps)	R/N (mVp-p) ^②		Regulation (Max.)		V _{IN} Nom. (Volts)	Range (Volts)	I _{IN} ^④ (mA)	Min.	Typ.	
			Typ.	Max.	Line	Load ^③						
UNR-1.8/2-D5SM	1.8	2	40	75	±0.35%	±0.35%	5	4.5-5.5	30/900	77%	79%	C17, P24
UNR-2.5/2-D5SM	2.5	2	30	50	±0.25%	±0.5%	5	4.75-5.5	40/1180	83%	85%	C17, P24
UNR-3.3/3-D5SM	3.3	3	30	45	±0.4%	±0.5%	5	4.75-5.5	40/2250	86%	88%	C17, P24
UNR-3.3/3-D12SM ^②	3.3	3	100	150	±0.25%	±0.5%	12	10.4-13.6	40/930	87%	89%	C17, P24

- ① Typical at T_A = +25°C under nominal line voltage and full-load conditions, unless otherwise noted. The UNR-1.8/2-D5SM requires an external 15kΩ pull-up resistor between V_{IN} and On/Off Control for normal operation. See On/Off Control for details.
- ② Ripple/Noise (R/N) measured over a 20MHz bandwidth. The UNR-3.3/3-D12SM is specified with an external 22μF input capacitor. All other models are specified with no external I/O capacitors. Output noise on the "D12" model can be reduced significantly with the addition of external output capacitors. See I/O Filtering.
- ③ "D5" models require a minimum 300mA load current to maintain regulation. The "D12" model has no minimum load requirement. Listed specs apply from 300mA to full load for "D5" models and from no load to full load for the "D12" model.
- ④ Nominal line voltage, no-load/full-load conditions.

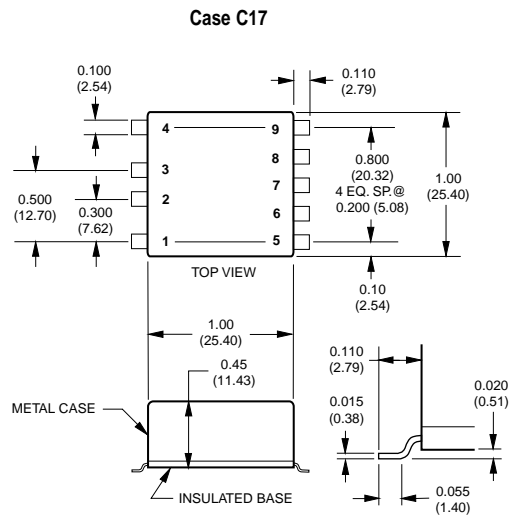
PART NUMBER STRUCTURE



TEMPERATURE DERATING



MECHANICAL SPECIFICATIONS



I/O Connections	
Pin	Function P24
1	N.C.
2	Logic Ground
3	On/Off Control
4	N.C.
5	+Output
6	N.C.
7	Output Return
8	Input Return
9	+Input

Performance/Functional Specifications

Typical @ T_A = +25°C under nominal line voltage and full-load conditions with no external filtering, unless noted. ①

Input	
Input Voltage Range:	
"D5" Models:	
UNR-1.8/2-D5SM	4.5-5.5 Volts (5V nominal)
UNR-2.5/2-D5SM, UNR-3.3/3-D5SM	4.75-5.5 Volts (5V nominal)
"D12" Models	10.4-13.6 Volts (12V nominal)
Overvoltage Shutdown	None
Start-Up Threshold:	
"D12" Models ②	10.2V typical, 10.4V maximum
Undervoltage Shutdown:	
"D12" Models ②	9.6V typical, 8.2V minimum
Input Current:	
Normal Operating Conditions	See Ordering Guide
Standby Mode (Off or undervoltage):	
UNR-1.8/2-D5SM	20mA typical, 30mA maximum
UNR-2.5/2-D5SM, UNR-3.3/3-D5SM	10mA typical, 20mA maximum
UNR-3.3/3-D12SM	5mA typical, 10mA maximum
Input Ripple Current:	
UNR-1.8/2-D5SM, UNR-3.3/3-D12SM	50mArms
UNR-2.5/2-D5SM, UNR-3.3/3-D5SM	150mArms
Input Filter Type	Capacitive
Reverse-Polarity Protection	None
On/Off Control (Pin 3) ③	TTL high (or open) = on, low = off 1.5V typical logic threshold
Output	
V_{out} Accuracy (50% load):	
UNR-1.8/2-D5SM	±1.5% (±27mV) maximum
UNR-2.5/2-D5SM	±1.5% (±37.5mV) maximum
UNR-3.3/3-D5SM	±1.5% (±50mV) maximum
UNR-3.3/3-D12SM	±1% (±33mV) maximum
Temperature Coefficient	±0.02% per °C
Ripple/Noise (20MHz BW) ④	See Ordering Guide
Line/Load Regulation	See Ordering Guide
Efficiency	See Ordering Guide
Current Limiting ⑤	Auto-recovery
Dynamic Characteristics	
Transient Response (50% load step):	
UNR-1.8/2-D5SM	20µsec to ±0.5% of final value
UNR-2.5/2-D5SM, UNR-3.3/3-D12SM	30µsec to ±1% of final value
UNR-3.3/3-D5SM	40µsec to ±1% of final value
Start-Up Time: ⑥	
V _{IN} to V _{OUT} : "D5" Models	100msec typical, 120msec maximum
"D12" Models	13msec typical, 20msec maximum
On/Off to V _{OUT} : "D5" Models	60msec typical, 120msec maximum
"D12" Models	13msec typical, 20msec maximum
Switching Frequency	200kHz (±30kHz)
Environmental	
Operating Temperature (Ambient):	
Without Derating	-40 to +70°C
With Derating	to +100°C (See Derating Curves)
Storage Temperature	-40 to +105°C

Physical	
Dimensions	1" x 1" x 0.47" (25 x 25 x 11.9mm)
Shielding	None
Case Connection	None
Case Material	Corrosion-resistant steel with non-conductive, epoxy-based, black enamel finish and plastic baseplate
Pin Material	Copper, tin plated
Weight	0.6 ounces (17 grams)

- ① "D5" models require a minimum 300mA load current to maintain specified regulation. "D12" models have no minimum load requirement. Operating "D5" models under no-load conditions will not damage these devices, however they may not meet all listed specifications. The UNR-1.8/2-D5SM requires an external 15Ω pull-up resistor between V_{IN} and On/Off Control for normal operation. See On/Off Control for details. The UNR-3.3/3-D12SM is specified with an external 22µF input capacitor. See I/O Filtering for details.
- ② See Startup Threshold and Undervoltage Shutdown for details.
- ③ See On/Off Control for details.
- ④ The 22µF external input capacitor required for the UNR-3.3/3-D12SM should be minimally rated for 1.5Arms ripple current and 125mΩ ESR. Output noise for all models can be further reduced with the installation of external output capacitors. See See I/O Filtering for details.
- ⑤ Current limiting initiates at approximately 30% above rated load. Under short-circuit conditions, output current folds back to approximately 150mA and input current drops to approximately 50mA. Both remain at those levels until the short is removed.
- ⑥ See Start-Up Time for details.

Absolute Maximum Ratings	
Input Voltage:	
Continuous:	
"D5" Models	7 Volts
"D12" Models	15 Volts
Transient (100msec):	
"D5" Models	15 Volts
"D12" Models	24 Volts
Input Reverse-Polarity Protection	None
Output Overvoltage Protection	None
Output Current	Current limited. Devices can withstand a sustained output short circuit without damage.
Storage Temperature	-40 to +105°C
Lead Temperature (Soldering, 10 sec.)	+300°C
These are stress ratings. Exposure of devices to any of these conditions may adversely affect long-term reliability. Proper operation under conditions other than those listed in the Performance/Functional Specifications Table is not implied.	

TECHNICAL NOTES

I/O Filtering and Noise Reduction

All "D5" models of UNR SM Series 3.6-10W DC/DC converters achieve their rated ripple and noise specifications without the use of external input/output capacitors. The UNR-3.3/3-D12SM is tested and specified with a single, external 22 μ F input capacitor (minimally rated for 1.5Arms ripple current and 120m Ω ESR).

In critical applications, input/output ripple/noise may be further reduced by installing additional external I/O caps. Input capacitors, which function primarily as energy-storage elements, should be selected for bulk capacitance, low ESR and high rms-ripple-current ratings. Output capacitors, which function more as true filter elements, should be selected for bulk capacitance, low ESR, and appropriate frequency response. All caps should have appropriate voltage ratings and be mounted as close to the converters as possible. Temperature variations for all parameters should obviously be taken into consideration.

The most effective combination of external I/O capacitors will be a function of your line voltage and source impedance, as well as your particular load and layout conditions. Our Applications Engineers will be happy to recommend potential solutions and can discuss the possibility of our modifying a given device's internal filtering to meet your specific requirements. Contact our Applications Engineering Group for additional details.

Return Current Paths

The Input Return (pin 8), Output Return (pin 7) and Logic Ground (pin 2) are all connected to each other internal to each device. To the extent possible, all load current should be returned through pin 7 (via low-impedance runs) and all input current returned through pin 8. Any control signals applied to pin 3 should be referenced to pin 2. The internal trace leading to pin 2 is not designed to carry high current. Devices should never be installed in a manner that results in high current flow through pin 2 (i.e., pins 7 and 8 should never be left open or attached via high-impedance connections).

Input Fusing

Certain applications and/or safety agencies may require the installation of fuses at the inputs of power conversion components. Fuses should also be used if the possibility of sustained, non-current-limited, input-voltage polarity reversals exists. For DATEL UNR SM Series 3.6-10 Watt DC/DC Converters, you should use slow-blow type fuses with values no greater than the following.

Model Number	Fuse Value
UNR-1.8/2-D5SM	1.5 Amps
UNR-2.5/2-D5SM	2 Amps
UNR-3.3/3-D5SM	3 Amps
UNR-3.3/3-D12SM	1.5 Amps

Start-Up Threshold and Undervoltage Shutdown (UNR-3.3/3-D12SM only)

Under normal start-up conditions, UNR-3.3/3-D12SM devices will not begin to regulate until the ramping input voltage exceeds the Start-Up Threshold Voltage (typically 10.2V). Once operating, devices will not turn off until the input voltage drops below the Undervoltage Shutdown/Lockout limit (typically 9.6V). Subsequent re-start will not occur until the input is brought back up to the Start-Up Threshold. This built-in hysteresis obviously avoids any indeterminate on/off conditions at a single voltage.

Start-Up Time

For the three "D5" models (that do not have an input turn-on threshold), the V_{IN} to V_{OUT} Start-Up Time is the interval between the time a step input is applied to the device and the fully loaded output voltage enters and remains within its specified accuracy band.

For the UNR-3.3/3-D12SM, V_{IN} to V_{OUT} Start-Up Time is the interval between the time at which a rapidly ramping input voltage crosses the turn-on threshold point and the fully loaded output voltage enters and remains within its specified accuracy band. Actual measured times will vary with input source impedance, external input capacitance, and the slew rate and final value of the input voltage as it appears to the converter.

The On/Off to V_{OUT} Start-Up Time assumes the converter is turned off via the On/Off Control with the nominal input voltage already applied to the converter. The specification defines the interval between the time at which the converter is turned on and the fully loaded output voltage enters and remains within its specified accuracy band.

On/Off Control

The On/Off Control pin (pin 3) may be used for remote on/off operation. UNR SM Series converters are designed so that they are enabled when the control pin is pulled high or left open (normal mode) and disabled when the control pin is pulled low (to less than +0.8V relative to Logic Ground, pin 2). As shown in the figure and table below, each device has an internal pull-up resistor on its On/Off Control pin whose value and voltage vary with model.

Dynamic control of the on/off function is best accomplished with a mechanical relay or an open-collector/open-drain drive circuit (optically isolated if appropriate). The drive circuit should obviously be able to sink appropriate current when activated and withstand appropriate voltage when deactivated.

Applying an external voltage to pin 3 when no input power is applied to the converter can cause permanent damage to the converter. The on/off control function, however, is designed such that the converter can be disabled (pin 3 pulled low) while input power is ramping up and then "released" once the input has stabilized. The time duration between the point at which the converter is released and its fully loaded output voltage settles to within specified accuracy can be found in the Performance/Functional Specifications Table.

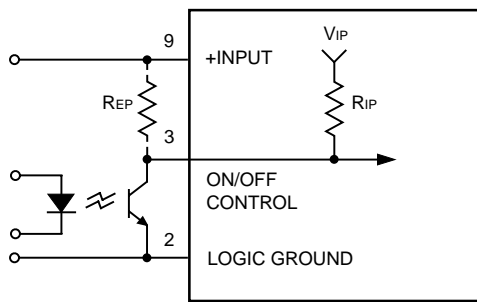


Figure 2. Driving the On/Off Control Pin

Model	Internal Pull-Up Resistor (R _{IP})	External Pull-Up Resistor (R _{EP})	Internal Pull-Up Voltage (V _{IP})
UNR-1.8/2-D5SM	1kΩ	15kΩ	1.8V
UNR-2.5/2-D5SM	1kΩ	N.A.	2.5V
UNR-3.3/3-D5SM	1kΩ	N.A.	3.3V
UNR-3.3/3-D12SM	10kΩ	N.A.	V _{IN}

Solder Reflow

For UNR SM Series devices, the packages' gull-wing leads are made of tin-plated (150 microinches) copper. The gull-wing configuration, as opposed to "J" leads, was selected to keep the solder joints out from under the package to minimize both heat conduction away from the leads (into the encapsulated package) and IR shadowing effects. Through a series of experiments, using 8 mil-thick, 63/37/2 (lead/tin/silver) solder paste and single-layer test boards, we have determined an optimal solder-reflow temperature profile as shown in Figure 2. Obviously, your optimal profile will be a function of many factors including paste thickness, board thickness, number of conductive layers, copper weight, the density of surrounding components, etc.

The profile in Figure 3 should be used as a starting point for your own experiments. If you'd like, DATEL can provide you with complimentary "dummy" units to be used in such tests. Under no circumstances should the peak temperature exceed +235°C for an extended period of time.

As shown in Figure 4, our tests have determined the optimal landing-pad size to be 160 mils by 130 mils.

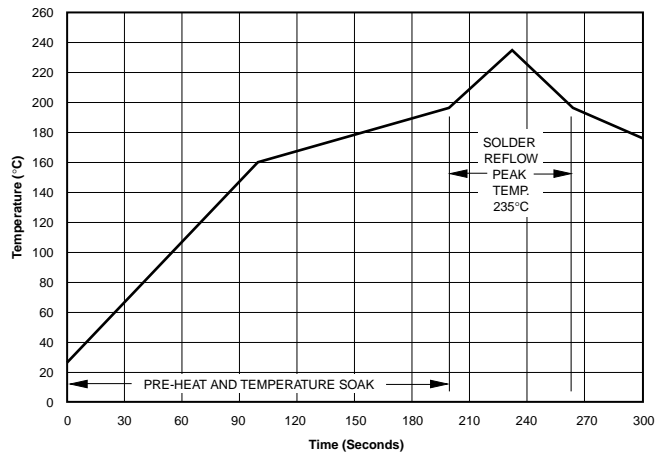


Figure 3. Optimal Solder Reflow Profile

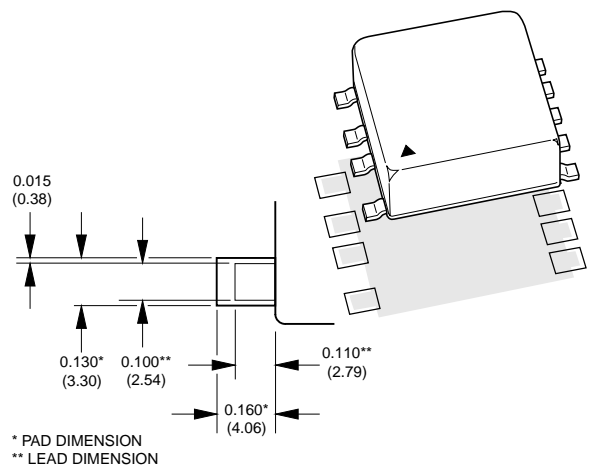


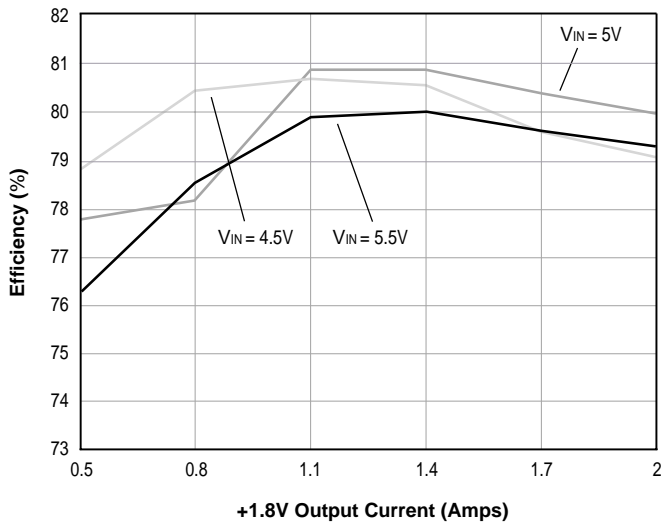
Figure 4. PC Board Land Pattern

TYPICAL PERFORMANCE CURVES

Efficiency vs. Output Current and Input Voltage

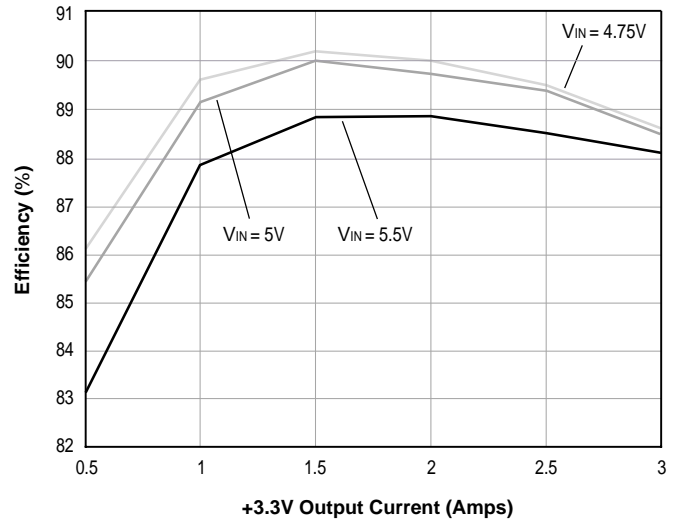
UNR-1.8/2-D5SM

(Guaranteed efficiency = 77% at $V_{IN} = 5V$ and $I_{OUT} = 2A$)



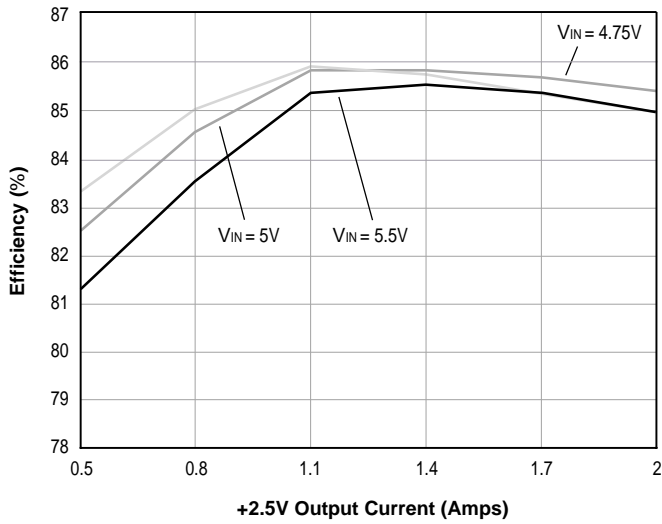
UNR-3.3/3-D5SM

(Guaranteed efficiency = 86% at $V_{IN} = 5V$ and $I_{OUT} = 3A$)



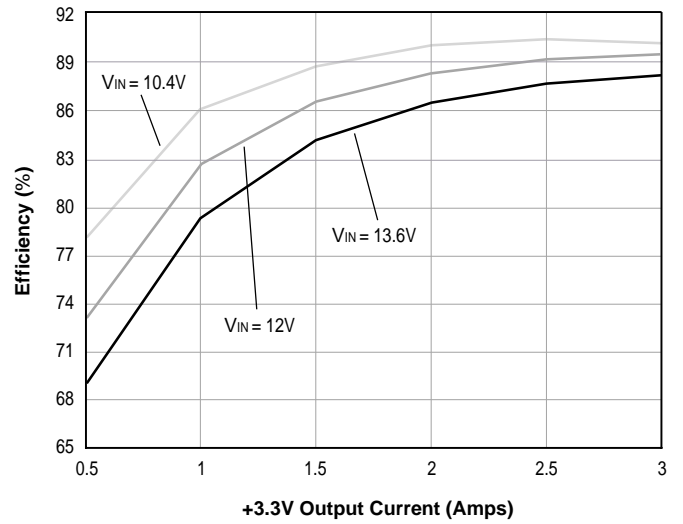
UNR-2.5/2-D5SM

(Guaranteed efficiency = 83% at $V_{IN} = 5V$ and $I_{OUT} = 2A$)



UNR-3.3/3-D12SM

(Guaranteed efficiency = 87% at $V_{IN} = 12V$ and $I_{OUT} = 3A$)



CUSTOM CAPABILITIES

DATEL's world-class design, development and manufacturing team stands ready to work with you to deliver the exact power converter you need for your demanding, large volume, OEM applications. And ... we'll do it on time and within budget!

Our experienced applications and design staffs; quick-turn prototype capability; highly automated, SMT assembly facilities; and in-line SPC quality-control techniques combine to give us the unique ability to design and deliver any quantity of power converters to the highest standards of quality and reliability.

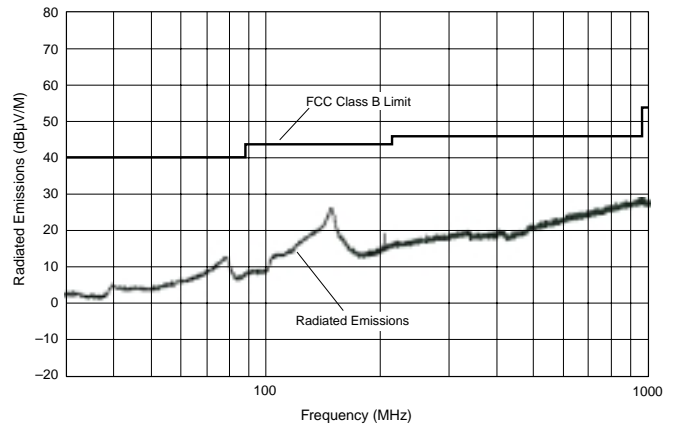
We have compiled a large library of DC/DC designs that are currently used in a variety of telecom, medical, computer, railway, aerospace and industrial applications. We may already have the converter you need.

Contact us. Our goal is to provide you the highest-quality, most cost-effective power converters available.

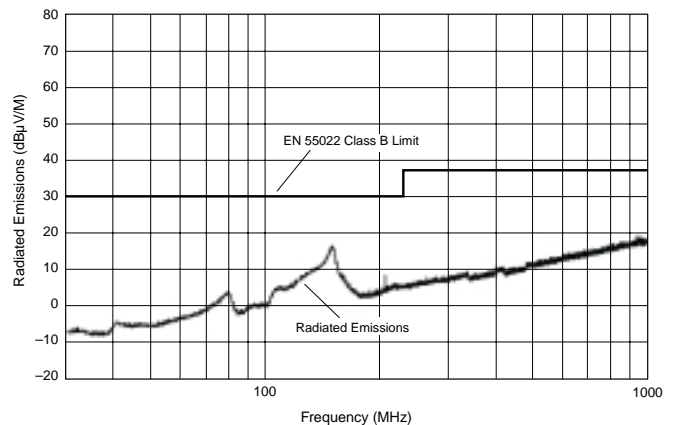
EMI Radiated Emissions

If you're designing with EMC in mind, please note that all of DATEL's 3.6-10 Watt UNR SM Series DC/DC Converters have been characterized for radiated and conducted emissions in our new EMI/EMC laboratory. Testing is conducted in an EMCO 5305 GTEM test cell utilizing EMCO automated EMC test software. Radiated emissions are tested to the limits of FCC Part 15, Class B and CISPR 22 (EN 55022), Class B. Correlation to other specifications can be supplied upon request. Radiated emissions plots to FCC and CISPR 22 for model UNR-3.3/3-D5SM appear below. Published EMC test reports are available for each model number. Contact DATEL's Applications Engineering Department for more details.

**UNR-3.3/3-D5SM Radiated Emissions
FCC Part 15 Class B, 3 Meters
Converter Output = 3.3Vdc @ 2.7 Amps**



**UNR-3.3/3-D5SM Radiated Emissions
EN 55022 Class B, 10 Meters
Converter Output = 3.3Vdc @ 2.7 Amps**



ISO 9001 REGISTERED

DS-0442 8/99

DATEL, Inc. 11 Cabot Boulevard, Mansfield, MA 02048-1151
Tel: (508) 339-3000 (800) 233-2765 Fax: (508) 339-6356
Internet: www.datel.com Email: sales@datel.com
Data Sheet Fax Back: (508) 261-2857

DATEL (UK) LTD. Tadley, England Tel: (01256)-880444
DATEL S.A.R.L. Montigny Le Bretonneux, France Tel: 01-34-60-01-01
DATEL GmbH München, Germany Tel: 89-544334-0
DATEL KK Tokyo, Japan Tel: 3-3779-1031, Osaka Tel: 6-354-2025

DATEL makes no representation that the use of its products in the circuits described herein, or the use of other technical information contained herein, will not infringe upon existing or future patent rights. The descriptions contained herein do not imply the granting of licenses to make, use, or sell equipment constructed in accordance therewith. Specifications are subject to change without notice. The DATEL logo is a registered DATEL, Inc. trademark.