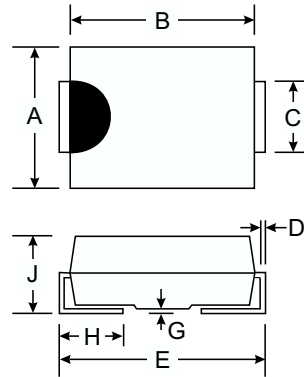


Features

- Glass Passivated Die Construction
- Super-Fast Recovery Time For High Efficiency
- Low Forward Voltage Drop and High Current Capability
- Surge Overload Rating to 35A Peak
- Ideally Suited for Automated Assembly
- Plastic Material: UL Flammability Classification Rating 94V-0



SMB		
Dim	Min	Max
A	3.30	3.94
B	4.06	4.57
C	1.96	2.21
D	0.15	0.31
E	5.00	5.59
G	0.10	0.20
H	0.76	1.52
J	2.00	2.62
All Dimensions in mm		

Mechanical Data

- Case: Molded Plastic
- Terminals: Solder Plated Terminal - Solderable per MIL-STD-202, Method 208
- Marking: MURS140: U1GB
MURS160: U1JB
- Polarity: Cathode Band or Cathode Notch
- Weight: 0.093 grams (approx.)
- Mounting Position: Any
- Ordering Information: See Page 3

Maximum Ratings and Electrical Characteristics @ $T_A = 25^\circ\text{C}$ unless otherwise specified

Single phase, half wave, 60Hz, resistive or inductive load.
For capacitive load, derate current by 20%.

Characteristic	Symbol	MURS140	MURS160	Unit
Peak Repetitive Reverse Voltage	V_{RRM}	400	600	V
Working Peak Reverse Voltage	V_{RWM}			
DC Blocking Voltage	V_R			
RMS Reverse Voltage	$V_{R(RMS)}$	283	424	V
Average Rectified Output Current	I_O	@ $T_T = 150^\circ\text{C}$ 1.0 @ $T_T = 125^\circ\text{C}$ 2.0		A
Non-Repetitive Peak Forward Surge Current 8.3ms Single half sine-wave Superimposed on Rated Load (JEDEC Method)	I_{FSM}	35		A
Forward Voltage	V_{FM}	@ $I_F = 1.0\text{A}, T_J = 25^\circ\text{C}$ 1.25 @ $I_F = 1.0\text{A}, T_J = 150^\circ\text{C}$ 1.05		V
Peak Reverse Current at Rated DC Blocking Voltage	I_{RM}	@ $T_A = 25^\circ\text{C}$ 5.0 @ $T_A = 150^\circ\text{C}$ 150		μA
Reverse Recovery Time (Note 3)	t_{rr}	50		ns
Forward Recovery Time (Note 4)	t_{fr}	50		ns
Typical Junction Capacitance (Note 2)	C_j	45		pF
Typical Thermal Resistance, Junction to Terminal (Note 1)	$R_{\theta JT}$	13		K/W
Operating and Storage Temperature Range	T_J, T_{STG}	-65 to +175		$^\circ\text{C}$

- Notes:
1. Unit mounted on PC board with 5.0 mm² (0.013 mm thick) copper pads as heat sink.
 2. Measured at 1.0MHz and applied reverse voltage of 0V DC.
 3. Measured with $I_F = 0.5\text{A}$, $I_R = 1.0\text{A}$, $I_{rr} = 0.25\text{A}$. See Figure 5.
 4. Measured with $I_F = 1.0\text{A}$, $di/dt = 100\text{A}/\mu\text{s}$, Duty Cycle $\leq 2.0\%$.

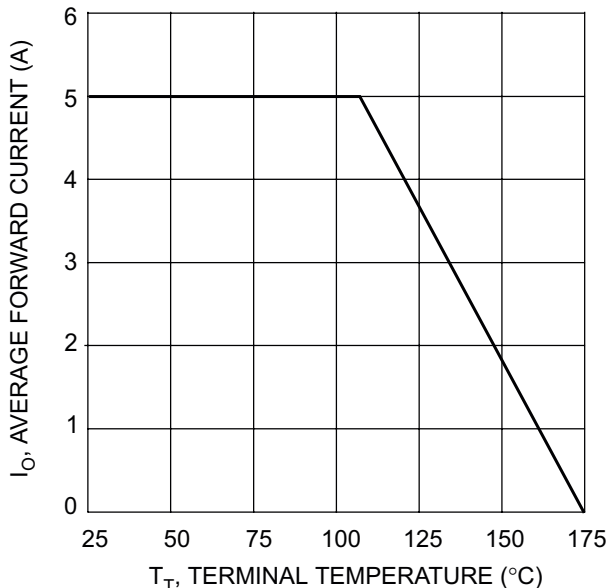


Fig. 1 Forward Current Derating Curve

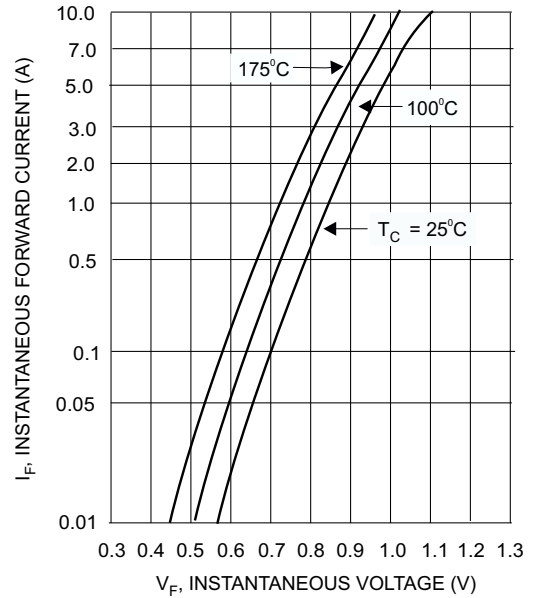


Fig. 2 Typical Forward Current

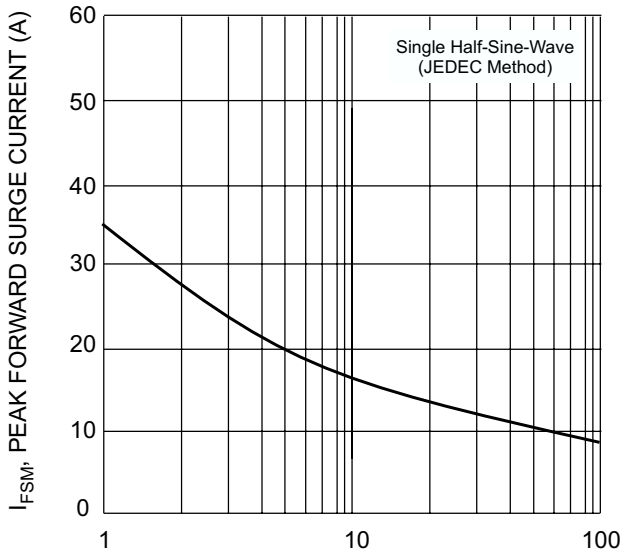


Fig. 3 Surge Current Derating Curve

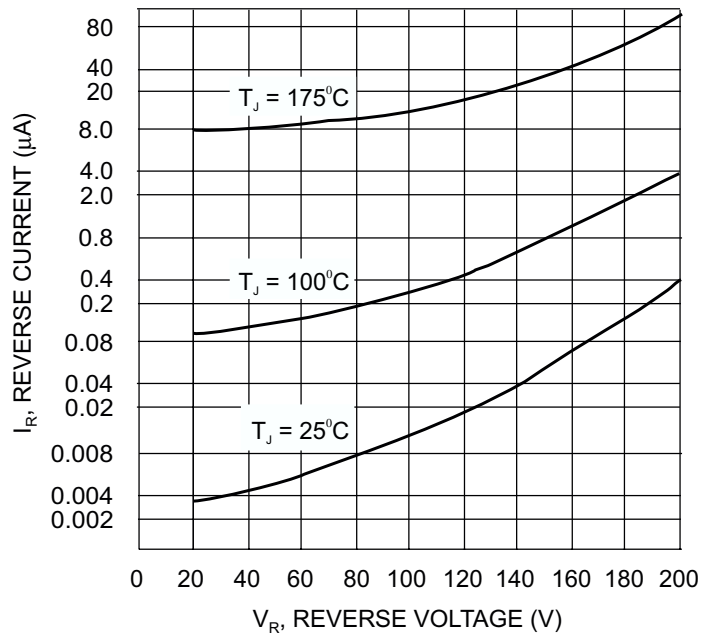
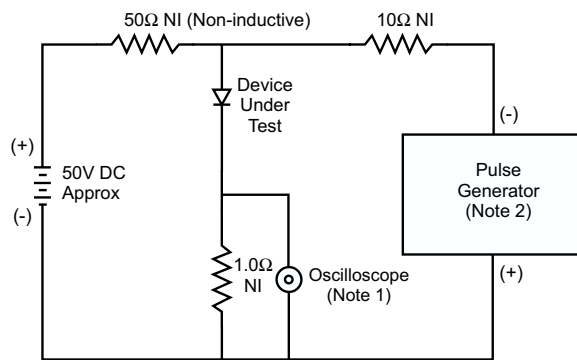
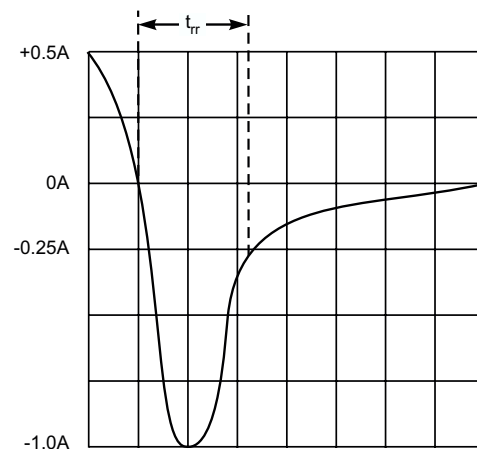


Fig. 4 Typical Reverse Current



- Notes:
1. Rise Time = 7.0ns max. Input Impedance = 1.0MΩ, 22pF.
 2. Rise Time = 10ns max. Input Impedance = 50Ω.



Set time base for 50/100 ns/cm

Fig. 5 Reverse Recovery Time Characteristic and Test Circuit

Ordering Information (Note 5)

Device	Packaging	Shipping
MURS140-13 MURS160-13	SMB SMB	5000/Tape & Reel

Notes: 5. For Packaging Details, go to our website at <http://www.diodes.com/datasheets/ap02007.pdf>.

Marking Information



XXX = Product type marking code (See Page 1)
D||| = Manufacturers' code marking
YWW = Date code marking
Y = Last digit of year ex: 2 for 2002
WW = Week code 01 to 52