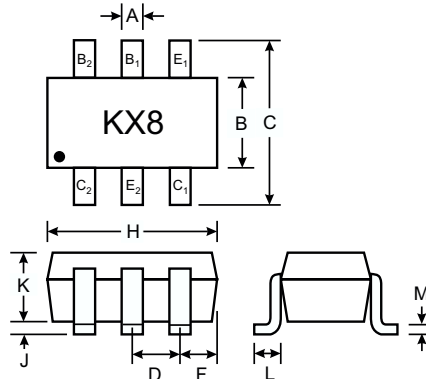


Features

- Epitaxial Planar Die Construction
- Complementary PNP Type Available (IMT4)
- Small Surface Mount Package

Mechanical Data

- Case: SOT-26, Molded Plastic
- Case material - UL Flammability Rating Classification 94V-0
- Terminals: Solderable per MIL-STD-202, Method 208
- Terminal Connections: See Diagram
- Marking: KX8
- Weight: 0.016 grams (approx.)



SOT-26			
Dim	Min	Max	Typ
A	0.35	0.50	0.38
B	1.50	1.70	1.60
C	2.70	3.00	2.80
D	—	—	0.95
F	—	—	0.55
H	2.90	3.10	3.00
J	0.013	0.10	0.05
K	1.00	1.30	1.10
L	0.35	0.55	0.40
M	0.10	0.20	0.15
All Dimensions in mm			

Maximum Ratings @ T_A = 25°C unless otherwise specified

Characteristic	Symbol	IMX8	Unit
Collector-Base Voltage	V _{CBO}	120	V
Collector-Emitter Voltage	V _{CEO}	120	V
Emitter-Base Voltage	V _{EBO}	5.0	V
Collector Current - Continuous	I _C	50	mA
Power Dissipation (Note 1)	P _d	225	mW
Thermal Resistance, Junction to Ambient (Note 1)	R _{θJA}	555	°C/W
Operating and Storage and Temperature Range	T _J , T _{STG}	-55 to +150	°C

Electrical Characteristics @ T_A = 25°C unless otherwise specified

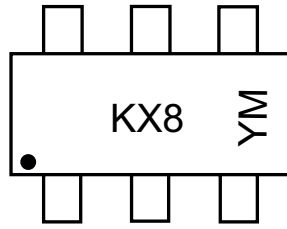
Characteristic	Symbol	Min	Typ	Max	Unit	Test Condition
OFF CHARACTERISTICS (Note 2)						
Collector-Base Breakdown Voltage	V _{(BR)CBO}	120	—	—	V	I _C = 50μA
Collector-Emitter Breakdown Voltage	V _{(BR)CEO}	120	—	—	V	I _C = 1.0mA
Emitter-Base Breakdown Voltage	V _{(BR)EBO}	5.0	—	—	V	I _E = 50μA
Collector Cutoff Current	I _{CBO}	—	—	0.5	μA	V _{CB} = 100V
Emitter Cutoff Current	I _{EBO}	—	—	0.5	μA	V _{EB} = 4.0V
ON CHARACTERISTICS (Note 2)						
DC Current Gain	h _{FE}	180	—	820	—	I _C = 2.0mA, V _{CE} = 6.0V
Collector-Emitter Saturation Voltage	V _{CE(SAT)}	—	—	0.5	V	I _C = 10mA, I _B = 1.0mA
SMALL SIGNAL CHARACTERISTICS						
Current Gain-Bandwidth Product	f _T	—	140	—	MHz	V _{CE} = 12V, I _E = -2.0mA, f = 100MHz

Ordering Information (Note 3)

Device	Packaging	Shipping
IMX8-7	SOT-26	3000/Tape & Reel

- Notes: 1. Device mounted on FR-5 PCB 1.0 x 0.75 x 0.062 inch pad layout as shown on Diodes Inc. suggested pad layout AP02001, which can be found on our website at <http://www.diodes.com/datasheets/ap02001.pdf>. 200mW per element must not be exceeded.
 2. Short duration test pulse used to minimize self-heating effect.
 3. For Packaging Details, go to our website at <http://www.diodes.com/datasheets/ap02007.pdf>.

Marking Information



KX8 = Product Type Marking Code
 YM = Date Code Marking
 Y = Year ex: N = 2002
 M = Month ex: 9 = September

Date Code Key

Year	1998	1999	2000	2001	2002	2003	2004
Code	J	K	L	M	N	O	P

Month	Jan	Feb	March	Apr	May	Jun	Jul	Aug	Sep	Oct	Nov	Dec
Code	1	2	3	4	5	6	7	8	9	O	N	D