

MR3500 - MR3510

AUTOMOTIVE RECTIFIER DIODES

PRV : 50 - 1000 Volts

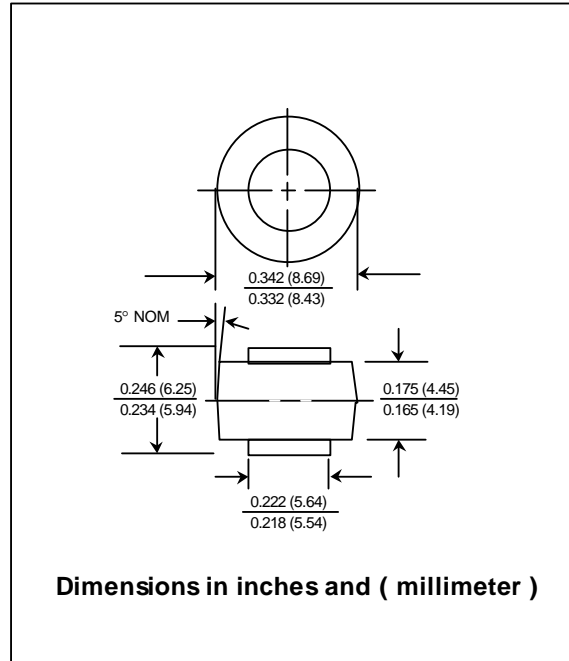
Io : 35 Amperes

FEATURES :

- * High current capability
- * High surge current capability
- * High reliability
- * Low reverse current
- * Low forward voltage drop

MECHANICAL DATA :

- * Case : Molded plastic
- * Epoxy : UL94V-O rate flame retardant
- * Terminals : Terminal are readily solderable
- * Polarity : Cathode polarity band
- * Mounting position : Any
- * Weight : 1.8 grams



MAXIMUM RATINGS AND ELECTRICAL CHARACTERISTICS

Rating at 25 °C ambient temperature unless otherwise specified.
 Single phase, half wave, 60 Hz, resistive or inductive load.
 For capacitive load, derate current by 20%.

RATING	SYMBOL	MR 3500	MR 3501	MR 3502	MR 3504	MR 3506	MR 3508	MR 3510	UNIT
Maximum Repetitive Peak Reverse Voltage	V_{RRM}	50	100	200	400	600	800	1000	Volts
Maximum RMS Voltage	V_{RMS}	35	70	140	280	420	560	700	Volts
Maximum DC Blocking Voltage	V_{DC}	50	100	200	400	600	800	1000	Volts
Average Rectified Forward Current $T_c = 150^{\circ}C$	$I_{F(AV)}$	35							Amps.
Peak Forward Surge Current Single half sine wave superimposed on rated load (JEDEC Method)	I_{FSM}	400							Amps.
Maximum Forward Voltage at $I_F = 35$ Amps.	V_F	1.1							Volts
Maximum DC Reverse Current $T_a = 25^{\circ}C$ at rated DC Blocking Voltage $T_a = 100^{\circ}C$	I_R	5.0							μA
	$I_{R(H)}$	1.0							mA
Thermal Resistance (Note 1)	$R_{\theta JC}$	1.0							$^{\circ}C/W$
Junction Temperature Range	T_J	- 65 to + 175							$^{\circ}C$
Storage Temperature Range	T_{STG}	- 65 to + 175							$^{\circ}C$
Marking Code									

Note : (1) Thermal resistance from junction to case. Single side cooled.

RATING AND CHARACTERISTIC CURVES (MR3500 - MR3510)

