

Features

- Flexible inputs and outputs, all ground referred
- 150 MHz large and small-signal bandwidth
- 46 dB of calibrated gain control range
- 70 dB isolation in disable mode @ 10 MHz
- 0.15% diff gain and 0.05° diff phase performance at NTSC using application circuit
- Operates on $\pm 5V$ to $\pm 15V$ power supplies
- Outputs may be paralleled to function as a multiplexer

Applications

- Level adjust for video signals
- Video faders and mixers
- Signal routing multiplexers
- Variable active filters
- Video monitor contrast control
- AGC
- Receiver IF gain control
- Modulation/demodulation
- General "cold" front-panel control of AC signals

Ordering Information

| Part No. | Temp. Range | Package | Outline # |
|----------|--------------|-------------|-----------|
| EL2082CN | 0°C to +75°C | 8-Pin P-DIP | MDP0031 |
| EL2082CS | 0°C to +75°C | 8-Pin SO | MDP0027 |

General Description

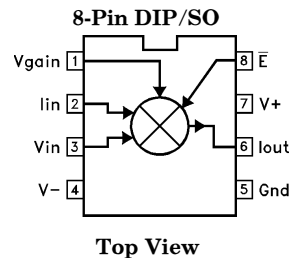
The EL2082 is a general purpose variable gain control building block, built using an advanced proprietary complementary bipolar process. It is a two-quadrant multiplier, so that zero or negative control voltages do not allow signal feedthrough and very high attenuation is possible. The EL2082 works in current mode rather than voltage mode, so that the input impedance is low and the output impedance is high. This allows very wide bandwidth for both large and small signals.

The I_{IN} pin replicates the voltage present on the V_{IN} pin; therefore, the V_{IN} pin can be used to reject common-mode noise and establish an input ground reference. The gain control input is calibrated to 1 mA/mA signal gain for 1V of control voltage. The disable pin (\bar{E}) is TTL-compatible, and the output current can comply with a wide range of output voltages.

Because current signals rather than voltages are employed, multiple inputs can be summed and many outputs wire-or'ed or mixed.

The EL2082 operates from a wide range of supplies and is available in standard 8-pin plastic DIP or 8-lead SO.

Connection Diagram



Note: All information contained in this data sheet has been carefully checked and is believed to be accurate as of the date of publication; however, this data sheet cannot be a "controlled document". Current revisions, if any, to these specifications are maintained at the factory and are available upon your request. We recommend checking the revision level before finalization of your design documentation.

© 1992 Elantec, Inc.

EL2082C

Current-Mode Multiplier

Absolute Maximum Ratings ($T_A = 25^\circ\text{C}$)

| | | | | | |
|-------------------|-------------------------------------|-------------------|----------|--------------------------------|---|
| V_S | Voltage between V_S^+ and V_S^- | +33V | P_D | Maximum Power Dissipation | See Curves |
| V_{IN}, I_{OUT} | Voltage | $\pm V_S$ | T_A | Operating Temperature Range | 0°C to $+75^\circ\text{C}$ |
| V_E, V_{GAIN} | Input Voltage | -1 to +7V | T_J | Operating Junction Temperature | 150°C |
| I_{IN} | Input Current | $\pm 5\text{ mA}$ | T_{ST} | Storage Temperature | -65°C to $+150^\circ\text{C}$ |

Important Note:

All parameters having Min/Max specifications are guaranteed. The Test Level column indicates the specific device testing actually performed during production and Quality inspection. Elantec performs most electrical tests using modern high-speed automatic test equipment, specifically the LTX77 Series system. Unless otherwise noted, all tests are pulsed tests, therefore $T_J = T_C = T_A$.

| Test Level | Test Procedure |
|------------|---|
| I | 100% production tested and QA sample tested per QA test plan QCX0002. |
| II | 100% production tested at $T_A = 25^\circ\text{C}$ and QA sample tested at $T_A = 25^\circ\text{C}$, T_{MAX} and T_{MIN} per QA test plan QCX0002. |
| III | QA sample tested per QA test plan QCX0002. |
| IV | Parameter is guaranteed (but not tested) by Design and Characterization Data. |
| V | Parameter is typical value at $T_A = 25^\circ\text{C}$ for information purposes only. |

DC Electrical Characteristics

($V_S = \pm 15\text{V}$, $V_G = 1\text{V}$, $V_E = 0.8\text{V}$, $V_{OUT} = 0$, $V_{IN} = 0$, $I_{IN} = 0$)

| Parameter | Description | Temp | Min | Typ | Max | Test Level | Units |
|------------|---|------|------|------|-----|------------|------------------------|
| V_{IO} | Input Offset Voltage | Full | -20 | | 20 | II | mV |
| I_{OO} | Output Offset Current | Full | -100 | | 100 | II | μA |
| R_{INI} | I_{IN} Input Impedance; $I_{IN} = 0, 0.35\text{ mA}$ | Full | 75 | 95 | 115 | II | Ω |
| V_{CMRR} | Voltage Common-Mode Rejection Ratio $V_{IN} = -10\text{V}, +10\text{V}$ | Full | 45 | 55 | | II | dB |
| I_{CMRR} | Offset Current Common-Mode Rejection Ratio, $V_{IN} = -10\text{V}, +10\text{V}$ | Full | | 0.5 | 5 | II | $\mu\text{A}/\text{V}$ |
| V_{PSRR} | Offset Voltage Power Supply Rejection Ratio, $V_S = \pm 5\text{V}$ to $\pm 15\text{V}$ | Full | 60 | 80 | | II | dB |
| I_{PSRR} | Offset Current Power Supply Rejection Ratio, $V_S = \pm 5\text{V}$ to $\pm 15\text{V}$ | Full | | 1 | 10 | II | $\mu\text{A}/\text{V}$ |
| I_{BVIN} | V_{IN} Bias Current | Full | -10 | | 10 | II | μA |
| R_{INV} | V_{IN} Input Impedance; $V_{IN} = -10\text{V}, +10\text{V}$ | Full | 0.5 | 1.0 | | II | $\text{M}\Omega$ |
| N_{lini} | Signal Nonlinearity; $I_{IN} = -0.7\text{ mA}$, $-0.35\text{ mA}, 0\text{ mA}, +0.35\text{ mA}, +0.7\text{ mA}$ | Full | | 0.10 | 0.4 | II | % |
| R_{OUT} | Output Impedance $V_{OUT} = -10\text{V}, +10\text{V}$ | Full | 0.25 | 0.5 | | II | $\text{M}\Omega$ |

EL2082C

Current-Mode Multiplier

DC Electrical Characteristics — Contd.

($V_S = \pm 15V$, $V_G = 1V$, $V_E = 0.8V$, $V_{OUT} = 0$, $V_{IN} = 0$, $I_{IN} = 0$)

| Parameter | Description | Temp | Min | Typ | Max | Test Level | Units |
|------------|--|------|-----|-----|----------|------------|---------|
| V_{OUT} | Output Swing; $V_{GAIN} = 2V$, $I_{IN} \pm 2 \text{ mA}$, $R_L = 4.0K$ | Full | -11 | | +11 | II | V |
| V_{IOG} | V_{OS} , Gain Control, Extrapolated from $V_{GAIN} = 0.1V, 1V$ | Full | -15 | | 15 | II | mV |
| A_I | Current Gain, $I_{IN} \pm 350 \mu A$ | Full | 0.9 | 1.0 | 1.1 | II | mA/mA |
| Nling | Nonlinearity of Gain Control, $V_{GAIN} = 0.1V, 0.5V, 1V$ | Full | | 2 | 5 | II | % |
| I_{SO} | Input Isolation with $V_{GAIN} = -0.1V$ | Full | -80 | -96 | | II | dB |
| V_{INH} | \bar{E} Logic High Level | Full | 2.0 | | | II | V |
| V_{INL} | \bar{E} Logic Low Level | Full | | | 0.8 | II | V |
| I_{LH} | Input Current of \bar{E} , $V_E = 5V$ | Full | -50 | | 50 | II | μA |
| I_{LL} | Input Current of \bar{E} , $V_E = 0$ | Full | -50 | | 50 | II | μA |
| I_{ODIS} | I_{OUT} , Disabled $\bar{E} = 2.0V$ | Full | | | ± 10 | II | μA |
| I_S | Supply Current | Full | | 13 | 16 | II | mA |

AC Electrical Characteristics

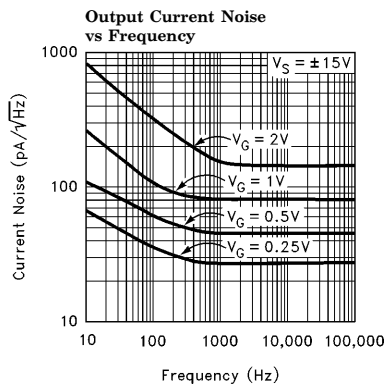
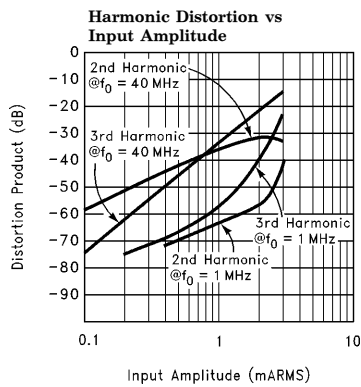
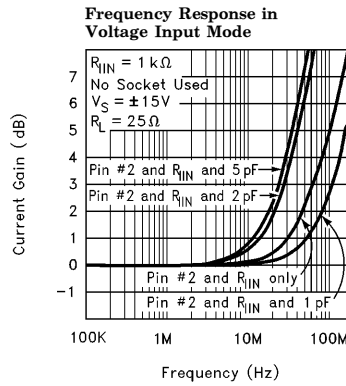
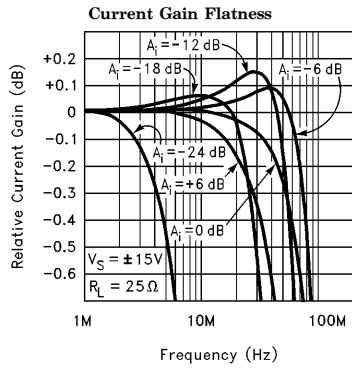
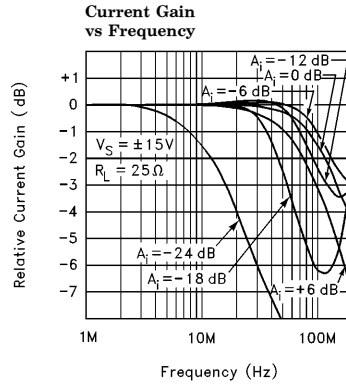
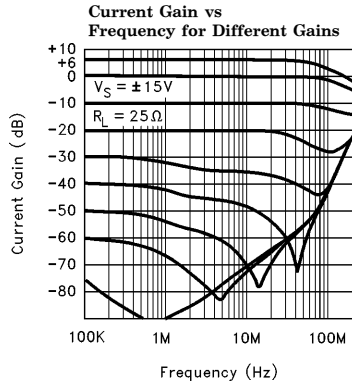
($R_L = 25\Omega$, $C_L = 4 \text{ pF}$, $C_{IIN} = 2 \text{ pF}$, $T_A = 25^\circ C$, $V_G = 1V$, $V_S = \pm 15V$)

| Parameter | Description | Min | Typ | Max | Test Level | Units |
|-----------|---|-----|------|-----|------------|------------------|
| BW1 | Current Mode Bandwidth -3 dB $\pm 0.1 \text{ dB}$ Power, $I_{IN} = 1 \text{ mA p-p}$ | | 150 | | V | MHz |
| BW2 | | | 30 | | V | MHz |
| BWp | | | 150 | | V | MHz |
| BWg | Gain Control Bandwidth | | 20 | | V | MHz |
| SRG | Gain Control Slew Rate V_G from 0.2V to 2V | | 12 | | V | (mA/mA)/ μs |
| T_{REC} | Recovery Time from $V_G < 0$ | | 250 | | V | ns |
| T_{EN} | Enable Time from \bar{E} Pin | | 200 | | V | ns |
| T_{DIS} | Disable Time from \bar{E} Pin | | 30 | | V | ns |
| D_G | Differential Gain, NTSC with $I_{IN} = -0.35 \text{ mA to } +0.35 \text{ mA}$ | | 0.25 | | V | % |
| D_P | Differential Phase, NTSC with $I_{IN} = -0.35 \text{ mA to } +0.35 \text{ mA}$ | | 0.05 | | V | Degree |

EL2082C

Current-Mode Multiplier

Typical Performance Curves

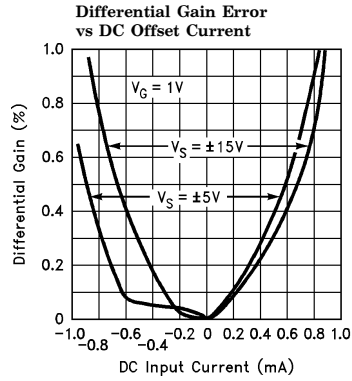


2082-2

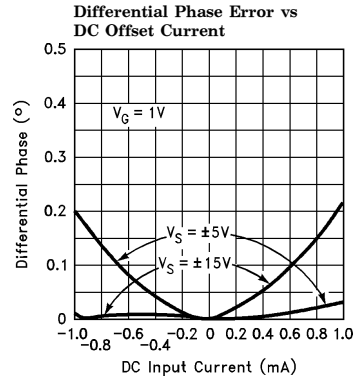
EL2082C

Current-Mode Multiplier

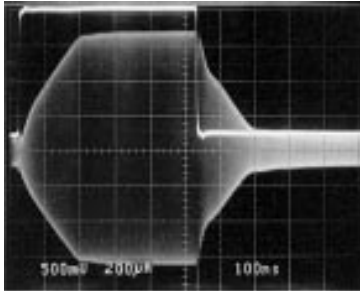
Typical Performance Curves — Contd.



2082-3

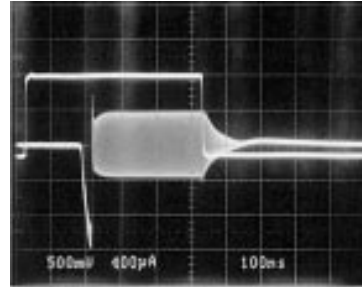


Gain Pin Transient Response

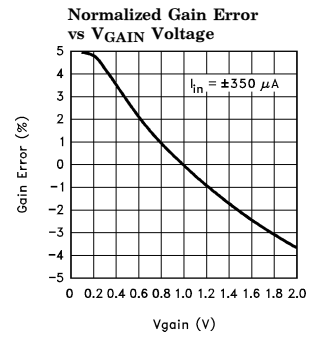
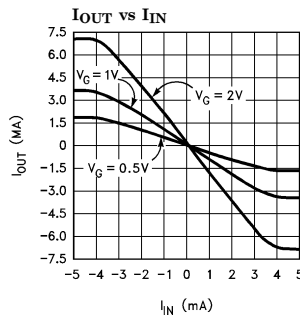
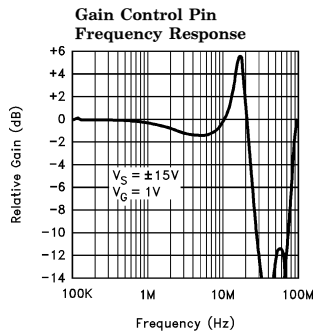


2082-4

Gain Control Recovery From $V_G = -0.1V$



2082-5

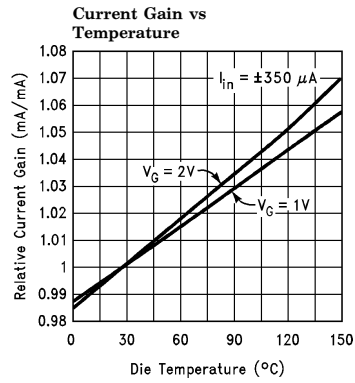
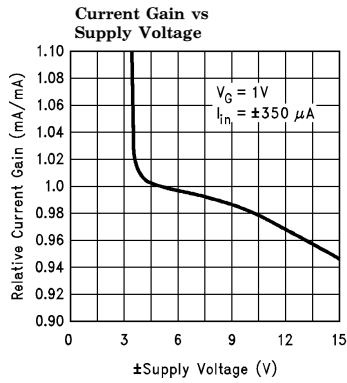


2082-6

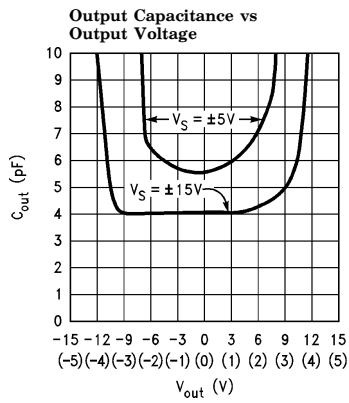
EL2082C

Current-Mode Multiplier

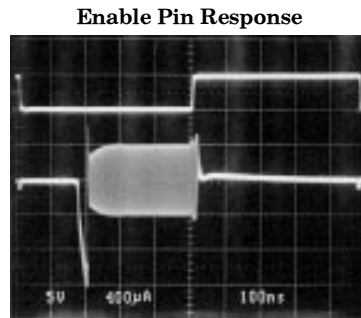
Typical Performance Curves — Contd.



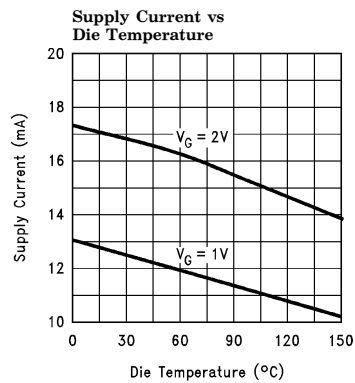
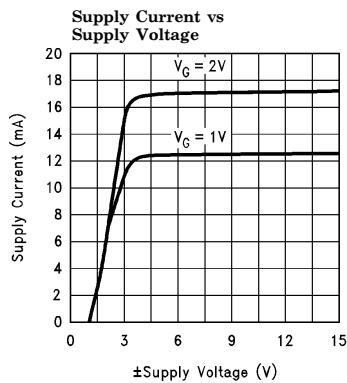
2082-7



2082-8



2082-9

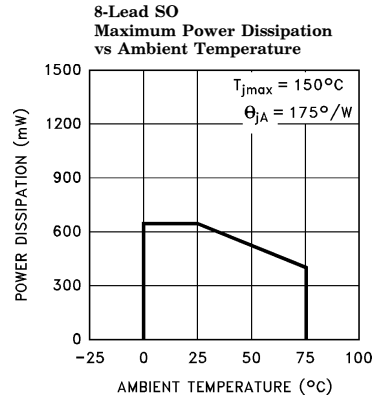
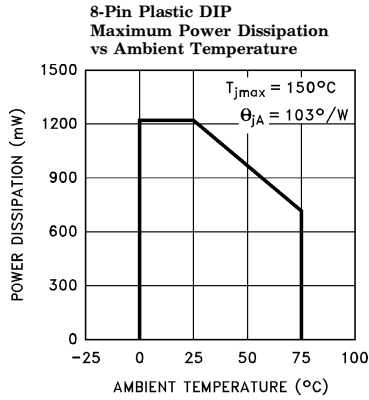


2082-10

EL2082C

Current-Mode Multiplier

Typical Performance Curves — Contd.

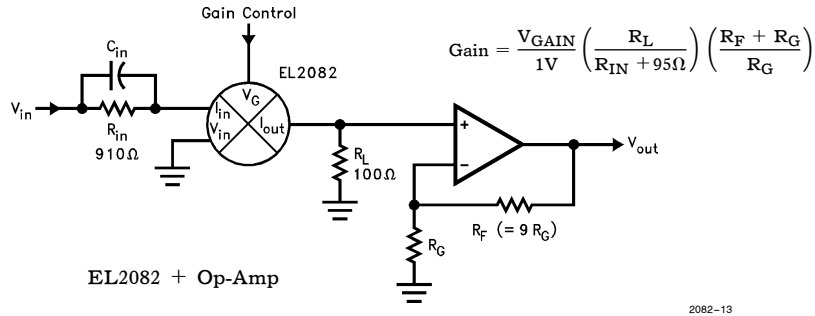


Applications Information

The EL2082 is best thought of as a current-conveyor with variable current gain. A current input to the I_{IN} pin will be replicated as a current driven out the I_{OUT} pin, with a gain controlled by V_{GAIN} . Thus, an input of 1 mA will produce an output current of 1 mA for $V_{GAIN} = 1V$. An input of 1 mA will produce an output of 2 mA for $V_{GAIN} = 2V$. The useable V_{GAIN} range is zero to +2V. A negative level on V_{GAIN} , even only -20 mV, will yield very high signal attenuation.

The EL2082 in Conjunction with Op-Amps

This resistor-load circuit shows a simple method of converting voltage signals to currents and vice versa:



R_{IN} would typically be 1 k Ω for video level inputs, or 10 k Ω for $\pm 10V$ instrumentation signals. The higher the value of R_{IN} (the lower the input current), the lower the distortion levels of the EL2082 will be. An approximate expression of the nonlinearity of the EL2082 is:

$$\text{Nonlinearity (\%)} = 0.3 \cdot I_{IN}^2 \text{ (mA)}^2$$

Optimum input current level is a tradeoff between distortion and signal-to-noise-ratio. The distortion and input range do not change appreciably with V_{GAIN} levels; distortion is set by input currents alone.

EL2082C

Current-Mode Multiplier

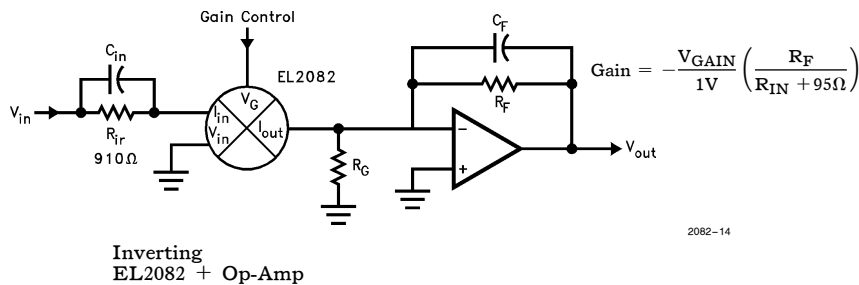
Applications Information — Contd.

The output current could be terminated with a 1 kΩ load resistor to achieve a nominal voltage gain of 1 at the EL2082, but the I_{OUT}, load, and stray capacitances would limit bandwidth greatly. The lowest practical total capacitance at I_{OUT} is about 12 pF, and this gives a 13 MHz bandwidth with a 1 kΩ load. In the above example a 100Ω load is used for an upper limit of 130 MHz. The operational amplifier gives a gain of +10 to bring the overall gain to unity. Wider bandwidth yet can be had by installing C_{IN}. This is a very small capacitor, typically 1 pf–2 pF, and it bolsters the gain above 100 MHz. Here is a table of results for this circuit used with various amplifiers:

| Operational Amplifier | Power Supplies | R _f | R _g | C _{IN} | –3 dB Bandwidth | 0.1 dB Bandwidth | Peaking |
|-----------------------|----------------|----------------|----------------|-----------------|-----------------|------------------|---------|
| EL2020 | ±5V | 620 | 68 | — | 34 MHz | 5.6 MHz | 0 |
| EL2020 | ±15V | 620 | 68 | — | 40 MHz | 7.4 MHz | 0 |
| EL2130 | ±5V | 620 | 68 | — | 73 MHz | 11 MHz | 1.0 dB |
| EL2030 | ±15V | 620 | 68 | — | 93 MHz | 12 MHz | 1.3 dB |
| EL2090 | ±15V | 240 | 27 | — | 60 MHz | 10 MHz | 0.5 dB |
| EL2120 | ±5V | 220 | 24 | — | 57 MHz | 10 MHz | 0.4 dB |
| EL2120 | ±15V | 220 | 24 | — | 65 MHz | 11 MHz | 0.3 dB |
| EL2070 | ±5V | 200 | 22 | 2 pF | 150 MHz | 30 MHz | 0.4 dB |
| EL2071 | ±5V | 1.5K | 240 | 2 pF | 200 MHz | 30 MHz | 0 |
| EL2075 | ±5V | 620 | 68 | 2 pF | 270 MHz | 30 MHz | 1.5 dB |

Maximum bandwidth is maintained over a gain range of +6 to –16 dB; bandwidth drops at lower gains. If wider gain range with full bandwidth is required, two or more EL2082's can be cascaded with the I_{OUT} of one directly driving the I_{IN} of the next.

The EL2082 can also be used with an I → V operational circuit:



The circuit above gives a negative gain. The main concern of this connection involves the total I_{OUT} and stray capacitances at the amplifier's input. When using traditional op-amps, the pole caused by these capacitances can make the amplifier less stable and even cause oscillations in amplifiers whose gain-bandwidth is greater than 5 MHz. A typical cure is to add a capacitor Cf in the 2 pF–10 pF range. This will reduce overall bandwidth, so a capacitor C_{IN} can be added to regain frequency response. The ratio Cf/C_{IN} is made equal to R_{IN}/R_f.

EL2082C

Current-Mode Multiplier

Applications Information — Contd.

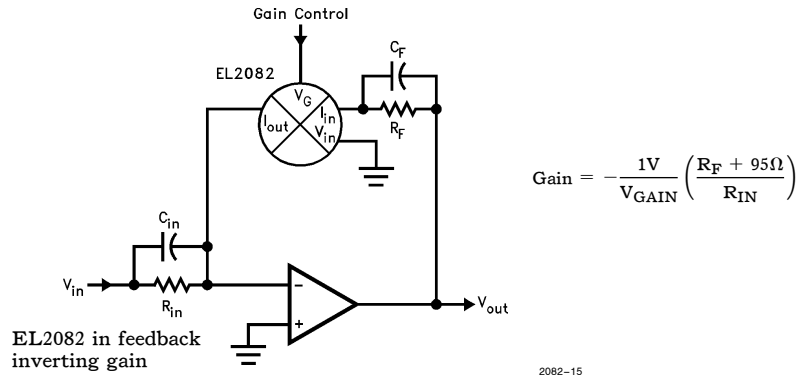
Current-feedback amplifiers eliminate this difficulty. Because their -input is a very low impedance, capacitance at the summing point of an inverting operational circuit is far less troublesome. Here is a table of results of various current-feedback circuits used in the inverting circuit:

| Operational Amplifier | Power Supplies | R _f | R _{IN} | R _g | - 3 dB Bandwidth | 0.1 dB Bandwidth | Peaking |
|-----------------------|----------------|----------------|-----------------|----------------|------------------|------------------|---------|
| EL2020 | ± 5V | 1k | 910 | — | 29 MHz | 4.3 MHz | 0 |
| EL2020 | ± 15V | 1k | 910 | — | 34 MHz | 5.3 MHz | 0 |
| EL2130 | ± 5V | 1k | 910 | — | 61 MHz | 9.7 MHz | 0 |
| EL2030 | ± 15V | 1k | 910 | — | 82 MHz | 12.3 MHz | 0 |
| EL2171 | ± 5V | 2k | 1.8k | 1k | 114 MHz | 11 MHz | 1.2 dB |

with the EL2171 the EL2082 had ± 15V supplies and the EL2171 required a 150Ω output load.

The EL2120 and EL2090 are suitable in this circuit but they are compensated for 300Ω feedback resistors. R_{IN} would have to be reduced greatly to obtain unity gain and the increased signal currents would cause the EL2082 to display much increased distortion. They could be used if the input resistor were maintained at 910Ω and R_f reduced for a -1/3 gain, or if R_f = 1k and an overall bandwidth of 25 MHz were acceptable.

The EL2082 can also be used within an op-amp's feedback loop:



With voltage-mode op-amps, the same concern about capacitance at the summing node exists, so C_f and C_{IN} should be used. As before, current-feedback amplifiers tend to solve the problem. However, in this circuit the inherent phase lag of the EL2082 detracts from the phase margin of the op-amp, and some overall bandwidth reduction may result. The EL2082 appears as a 3.0 ns delay, well past 100 MHz. Thus, for a 20 MHz loop bandwidth, the EL2082 will subtract 20 MHz × 3.0 ns × 360 degrees = 21.6 degrees. The loop path should have at least 55 degrees of phase margin for low ringing in this connection. Loop bandwidth is always reduced by the ratio R_{IN}/(R_{IN} + R_f) with voltage mode op-amps.

EL2082C

Current-Mode Multiplier

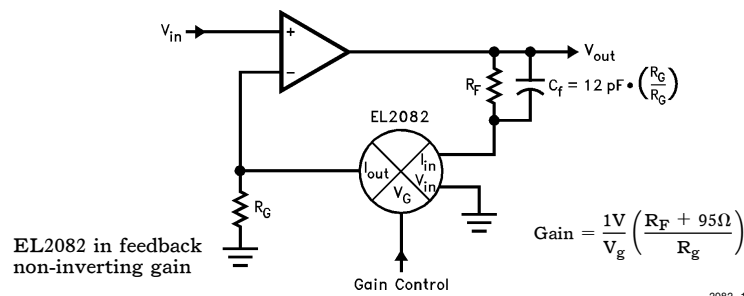
Applications Information — Contd.

Current-feedback op-amps again solve the summing-junction capacitance problem in this connection. The loop bandwidth here becomes a matter of transimpedance over frequency and its phase characteristics. Unfortunately, this is generally poorly documented in amplifier data sheets. A rule of thumb is that the transimpedance falls to the value of the recommended feedback resistor at a frequency of $F_{-3\text{ dB}}/4$ to $F_{-3\text{ dB}}/2$, where $F_{-3\text{ dB}}$ is the unity-gain closed-loop bandwidth of the amplifier. The phase margin of the op-amp is usually close to 90 degrees at this frequency.

In general, R_f is initially the recommended value for the particular amplifier and is then empirically adjusted for amplifier stability at maximum V_{GAIN} , then R_{IN} is set for the overall circuit gain required. Sometimes a very small C_f can be used to improve loop stability, but it often must be in series with another resistor of value around $R_f/2$.

A virtue of placing the EL2082 in feedback is that the input-referred noise will drop as gain increases. This is ideal for level controls that are used to set the output to a constant level for a variety of inputs as well as AGC loops. Furthermore, the EL2082 has a relatively constant input signal amplitude for a variety of input levels, and its distortion will be relatively constant and controllable by setting R_f . Note that placing the EL2082 in the feedback path causes the circuit bandwidth to vary inversely with gain.

The next circuit shows use of the EL2082 in the feedback path of a non-inverting op-amp:



This example has the same virtues with regards to noise and distortion as the preceding circuit; and its bandwidth shrinks with increasing gain as well. The typical 12 pF sum of EL2082 output capacitance in parallel with stray capacitance necessitates the inclusion of C_f to prevent a feedback pole. Because of this 12 pF capacitance at the op-amp input, current-feedback op-amps will generally not be useable. As before, the loop bandwidth and phase margin must accommodate the extra phase lag of the EL2082.

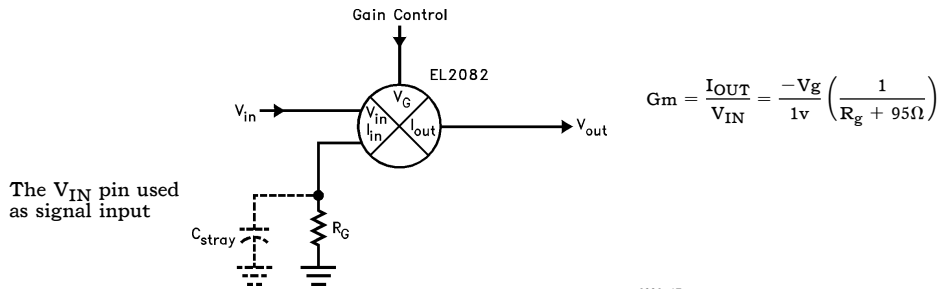
EL2082C

Current-Mode Multiplier

Applications Information — Contd.

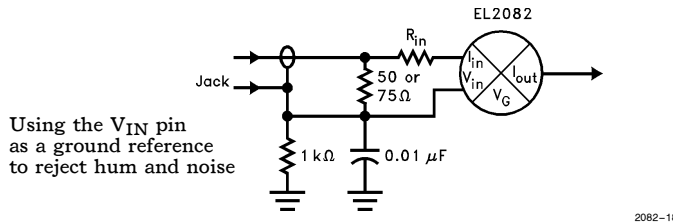
Using the V_{IN} Pin

The V_{IN} pin can be used instead of the I_{IN} pin so:



This connection is useful when a high input impedance is required. There are a few caveats when using the V_{IN} pin. The first is that V_{IN} has a 250 V/ μ s slew rate limitation. The second is that the inevitable C_{STRAY} across R_G causes a gain zero and gain INCREASES above the 1/(2 π C_{STRAY} R_G) frequency and can peak as much as 20 dB with large C_{STRAY}. A graph of gain vs. frequency for several C_{STRAY}s is included in the typical performance curves. In general, if wide bandwidth and frequency flatness is desired, the I_{IN} pin should be used.

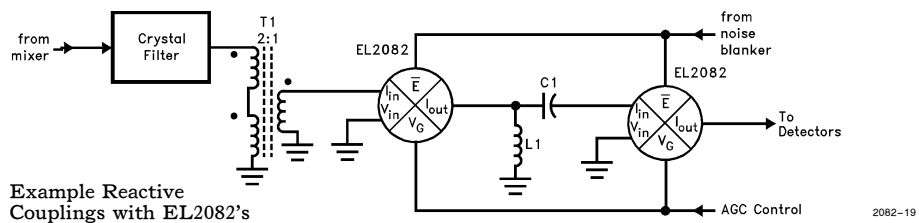
The V_{IN} pin does make an excellent ground reference pin, for instance when low-frequency noise is to be rejected. The next schematic shows the EL2082 V_{IN} pin rejecting possible 60 Hz hum induced on an RF input cable:



This example shows V_{IN} rejecting low-frequency field-induced noise but not adding peaking since the 0.01 μ F bypass capacitor shunts high-frequency signals to local ground.

Reactive Couplings with the EL2082

The following sketch is an excerpt of a receiver IF amplifier showing methods of connecting the EL2082 to reactive networks:



EL2082C

Current-Mode Multiplier

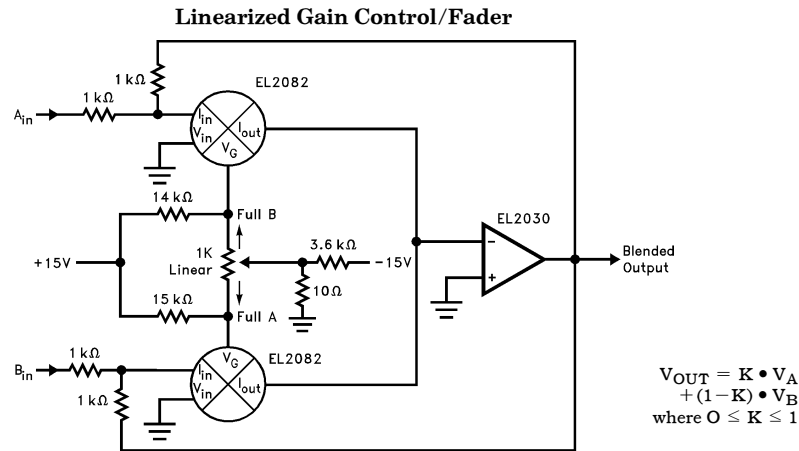
Applications Information — Contd.

The I_{IN} pin of the EL2082 looks like 95Ω well past 100 MHz, and the output looks like a simple current-source in parallel with about 5 pF. There is no particular problem with any resistance or reactance connected to I_{IN} or I_{OUT} . The mixer output is generally sent to a crystal filter, which required a few hundred ohm terminating impedance. The impedance of the I_{IN} pin of the first EL2082 is transformed to about 400Ω by the 2:1 transformer T1. The two EL2082's are used as variable-gain IF amplifiers, with small gains offered by each. The output of the first EL2082 is coupled to the second by the resonant matching network L1-C1. For a Q of 5, $X_{c1} = x_{l1} = 5 \times 95\Omega$, approximately. The impedance seen at the first EL2082's I_{OUT} will be about $Q^2 \times 95\Omega$, or 2.5k, and by impedance transformation alone the first gain cell delivers 28 dB of gain at $V_g = 1V$. More gain cells can be used for a wider range of (calibrated) AGC compliance.

The \bar{E} input can be used as a high-speed noise blanker gate.

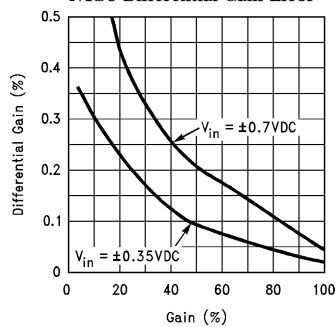
Linearized Fader/Gain Control

The following circuit is an example of placing two EL2082's in the feedback network of an op-amp to significantly reduce their distortions:



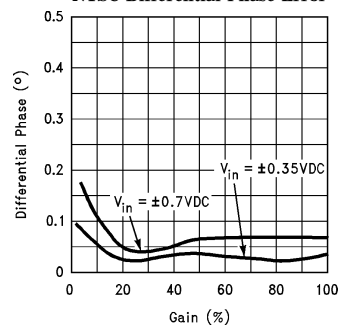
2082-20

Dual EL2082 Fader with EL2030
NTSC Differential Gain Error



2082-21

Dual EL2082 Fader with EL2030
NTSC Differential Phase Error



2082-22

EL2082C

Current-Mode Multiplier

Applications Information — Contd.

The circuit sums two inputs A and B, such that the sum of their respective path gains is unity, as controlled by the potentiometer. When the potentiometer's wiper is fully down, the slightly negative voltage at the V_G of the B-side EL2082 cuts off the B signal to better than 70 dB attenuation at 3.58 MHz. The A-side EL2082 is at unity gain, so the only (error) signal presented to the op-amp's -input is the same (error) signal at the I_{IN} of the A-side EL2082. The circuit thus outputs $-A_{IN}$. Since the error signal required by the op-amp is very small, even at video frequencies, the current through the A-side EL2082 is small and distortion is minimized.

At 50% potentiometer setting, equal error output signals flow from the EL2082's, since the op-amp still requires little net -input current. The EL2082's essentially buck each other to establish an output, and 50% gain occurs for both the A and B inputs. The EL2082's now contribute distortion, but less than in previous connections. The op-amp sees a constant 1k feedback resistor regardless of potentiometer setting, so frequency response is stable for all gain settings.

A single-input gain control is implemented by simply grounding B_{IN} .

Distortion can be improved by increasing the input resistors to lower signal currents. This will lower the overall gain accordingly, but will not affect bandwidth, which is dependent upon the feedback resistors. Reducing the signal input amplitude is an analogous tactic, but the noise floor will effectively rise.

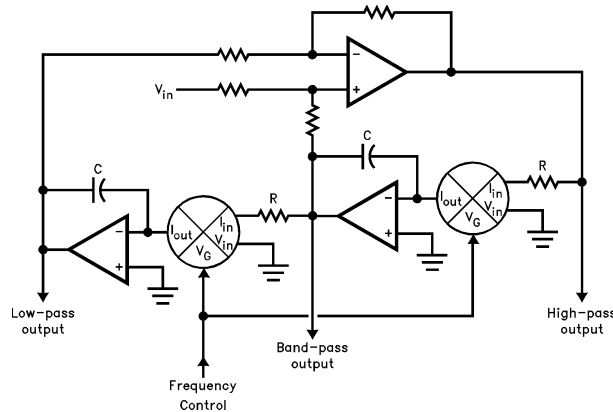
Another strategy to reduce distortion in video systems is to use DC restoration circuitry, such as the EL2090 ahead of the fader inputs to reduce the range of signals to be dealt with; the $-0.7V$ to $+0.7V$ possible range of inputs (due to capacitor coupling) would be changed to a stabilized $-0.35V$ to $+0.35V$ span.

The EL2020, EL2030, and EL2120 (at reduced bandwidth since it is compensated for 300Ω feedback resistors) all give the same video performance at NTSC operation.

Variable Filters

This circuit is the familiar state-variable configuration, similar to the bi-quad:

Voltage Tuneable Bi-Quad Filter



$$F_0 = \frac{V_G}{1V} \left(\frac{1}{2\pi (R + 95\Omega)C} \right)$$

2082-23

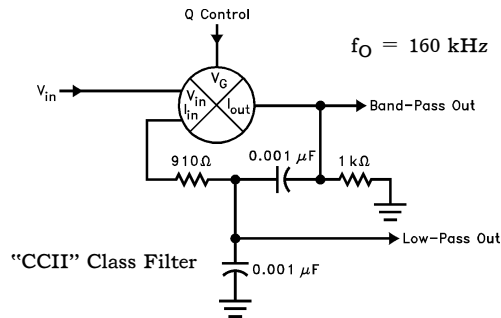
EL2082C

Current-Mode Multiplier

Applications Information — Contd.

Frequency-setting resistors R are each effectively adjusted in value by an EL2082 to effect voltage-variable tuning. Two gain controls yields a linear frequency adjustment; using one gives a square-root-of-control voltage tuning. The EL2082's could be placed in series with the integrator capacitors instead to yield a tuning proportional to $1/V_G$.

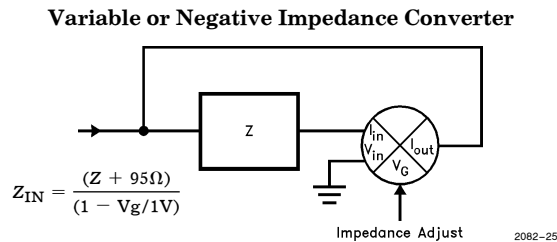
The next circuit is one of a new class of "CCII" filters that use the current-conveyor element. Basic information is available in the April 1991, volume 38, number 4 edition of the IEEE Transactions on Circuits and Systems journal, pages 456 through 461 of the article "The Single CCII Biquads with High-Input Impedance", by Shen-Iuan Liu and Hen-Wai Tsao.



This interesting filter uses the current output of the EL2082 to generate a bandpass voltage output and the intermediate node provides a second-order low-pass filter output. Both outputs should be buffered so as not to warp characteristics, although the V_{IN} of the next EL2082 can be driven directly in the case of cascaded filters. The V_{GAIN} input acts as a Q and peaking adjust point around the nominal 1V value. The resistor at I_{OUT} could serve as the frequency trim, and Q trimmed subsequently with V_{GAIN} .

Negative Components

The following circuit converts a component or two-terminal network to a variable and even negative replica of that impedance:



EL2082C

Current-Mode Multiplier

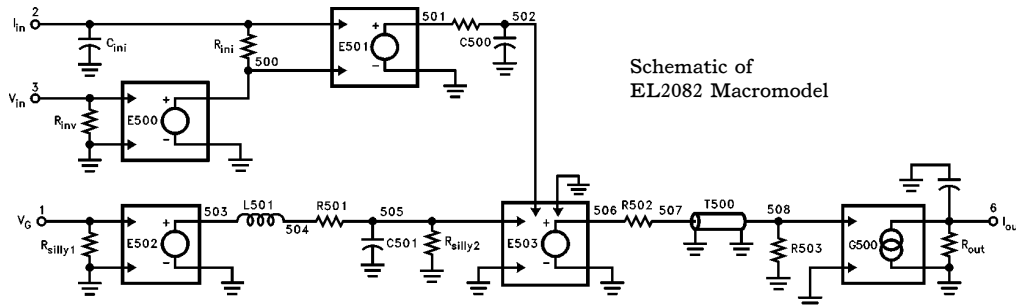
Applications Information — Contd.

A negative impedance is simply an impedance whose current flows reverse to the normal sense. In the above circuit, the current through Z is replicated by the EL2082 and inverted (I_{OUT} flows inverted to the sense of I_{IN} in the EL2082) and summed back to the input. When $V_g = 0$ or $V_g < 0$, the input impedance is simply $Z + 95\Omega$. When $V_g = 1V$, the negative of the current through Z is summed with the input and the input impedance is "infinite". When $V_g = 2V$, twice the negative of the current through Z is summed with the input resulting in an input impedance of $-Z - 95\Omega$.

Thus variable capacitors can be simulated by substituting the capacitor as Z . "Negative" capacitors result for $V_g > 1V$, and capacitance needs to be present in parallel with the input to prevent oscillations. Inductors or complicated networks also work for Z , but a net negative impedance will result in oscillations.

EL2082 Macromodel

This macromodel has been designed to work with PSPICE (copywritten by the Microsim Corporation). E500 buffers in the V_{IN} voltage and presents it to the R_{INI} resistor to emulate the I_{IN} pin. E501 supplies the non-linearity of the current channel and replicates the I_{IN} current to a ground referenced voltage. R500 and C500 provide the bandwidth limitation on the current signal. E502 supplies the V_{GAIN} non-linearity and drives the L501/R501/C501 to shape the gain control frequency response. E503 does the actual gain-control multiplication, and drives delay line T500 to better simulate the actual phase characteristics of the part. G500 creates the current output, and R_{OUT} with C_{OUT} provide proper output parasitics.



Schematic of EL2082 Macromodel

2082-26

The model is good at frequency and linearity estimates around $V_g = 1V$ and nominal temperatures, but has several limitations:

The V_g channel does not give zero gain for $V_g < 0$; the output gain reverses—don't use $V_g < 0$
 The V_g channel is not slew limited
 Frequency response does not vary with supply voltage

The V_{IN} channel is not slew limited
 Noise is not modeled
 Temperature effects are not modeled
 CMRR and PSRR are not modeled
 Frequency response does not vary with V_g

Unfortunately, the polynomial expressions and two-input multiplication may not be available on every simulator. Results have been confirmed by laboratory results in many situations with this macromodel, within its capabilities.

