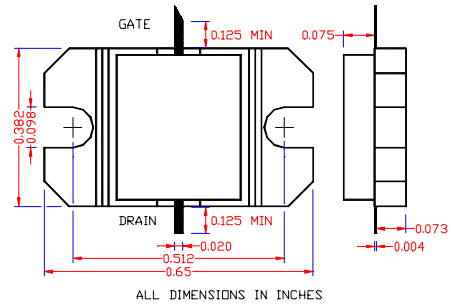


PRELIMINARY DATA SHEET
12.75-13.25GHz, 4W Internally Matched Power FET

- 12.75-13.25GHz BANDWIDTH AND INPUT/OUTPUT IMPEDANCE MATCHED TO 50 OHM
- EIA FEATURES HIGH PAE(30% TYPICAL)
- EIB FEATURES HIGH IP3(49dBm TYPICAL)
- +36.5/+35.5dBm TYPICAL P_{1dB} OUTPUT POWER FOR EIA/EIB
- 9.5/8.5dB TYPICAL G_{1dB} POWER GAIN FOR EIA/EIB
- NON-HERMETIC METAL FLANGE PACKAGE


ELECTRICAL CHARACTERISTICS ($T_a = 25^\circ\text{C}$)

SYMBOLS	PARAMETERS/TEST CONDITIONS	EIA1213-4P			EIB1213-4P			UNIT
		MIN	TYP	MAX	MIN	TYP	MAX	
P_{1dB}	Output Power at 1dB Compression $f=12.75\text{-}13.25\text{GHz}$ $V_{ds}=8\text{V}$, $I_{dsq}=0.5 I_{dss}(\text{EIA})$, $0.6 I_{dss}(\text{EIB})$	35.5	36.5		35	35.5		dBm
G_{1dB}	Gain at 1dB Compression $f=12.75\text{-}13.25\text{GHz}$ $V_{ds}=8\text{V}$, $I_{dsq}=0.5 I_{dss}(\text{EIA})$, $0.6 I_{dss}(\text{EIB})$	8.5	9.5		7.5	8.5		dB
PAE	Power Added Efficiency at 1dB compression $f=12.75\text{-}13.25\text{GHz}$ $V_{ds}=8\text{V}$, $I_{dsq}=0.5 I_{dss}(\text{EIA})$, $0.6 I_{dss}(\text{EIB})$		30			25		%
I_{d1dB}	Drain Current at 1dB Compression		1760			1700		mA
IP3	Output 3 rd Order Intercept Point $f=12.75\text{-}13.25\text{GHz}$ $V_{ds}=8\text{V}$, $I_{dsq}=0.5 I_{dss}(\text{EIA})$, $0.6 I_{dss}(\text{EIB})$		43			49*		dBm
I_{dss}	Saturated Drain Current $V_{ds}=3\text{V}$, $V_{gs}=0\text{V}$	2200	2880	3400	2200	2720	3400	mA
G_m	Transconductance $V_{ds}=3\text{V}$, $V_{gs}=0\text{V}$		3000			1400		mS
V_p	Pinch-off Voltage $V_{ds}=3\text{V}$, $I_{ds}=24\text{mA}$		-1.0	-2.5		-2.0	-3.5	V
BV_{gd}	Drain Breakdown Voltage $I_{gd}=9.6\text{mA}$	-13	-15			-15		V
R_{th}	Thermal Resistance (Au-Sn Eutectic Attach)		4.5			4.5		$^\circ\text{C/W}$

*Typical -45dBc IM3 at $P_{out}=26\text{dBm/Tone}$

MAXIMUM RATINGS AT 25°C

SYMBOLS	PARAMETERS	ABSOLUTE ¹	CONTINUOUS ²
V_{ds}	Drain-Source Voltage	12V	8V
V_{gs}	Gate-Source Voltage	-8V	-3V
I_{ds}	Drain Current	I_{dss}	3120mA
I_{gsf}	Forward Gate Current	360mA	60mA
P_{in}	Input Power	35dBm	@ 3dB Compression
T_{ch}	Channel Temperature	175 $^\circ\text{C}$	150 $^\circ\text{C}$
T_{stg}	Storage Temperature	-65/175 $^\circ\text{C}$	-65/150 $^\circ\text{C}$
P_t	Total Power Dissipation	30W	25W

Note: 1. Exceeding any of the above ratings may result in permanent damage.

2. Exceeding any of the above ratings may reduce MTTF below design goals.

Excelics Semiconductor, Inc., 2908 Scott Blvd., Santa Clara, CA 95054

Phone: (408) 970-8664 Fax: (408) 970-8998 Web Site: www.excelics.com