

## 74F779 8-Bit Bidirectional Binary Counter with 3-STATE Outputs

### General Description

The 74F779 is a fully synchronous 8-stage up/down counter with multiplexed 3-STATE I/O ports for bus-oriented applications. All control functions (hold, count up, count down, synchronous load) are controlled by two mode pins ( $S_0$ ,  $S_1$ ). The device also features carry lookahead for easy cascading. All state changes are initiated by the rising edge of the clock.

### Features

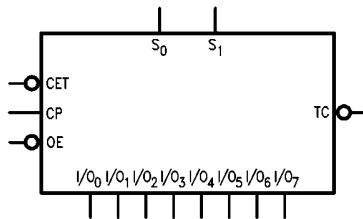
- Multiplexed 3-STATE I/O ports
- Built-in lookahead carry capability
- Count frequency 100 MHz typ
- Supply current 80 mA typ
- Available in SOIC (300 mil only)

### Ordering Code:

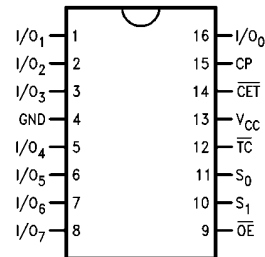
Order Number	Package Number	Package Description
74F779SC	M16B	16-Lead Small Outline Integrated Circuit (SOIC), JEDEC MS-013, 0.300 Wide
74F779PC	N16E	16-Lead Plastic Dual-In-Line Package (PDIP), JEDEC MS-001, 0.300 Wide

Devices also available in Tape and Reel. Specify by appending the suffix letter "X" to the ordering code.

### Logic Symbol



### Connection Diagram



## Unit Loading/Fan Out

Pin Names	Description	U.L.	
		HIGH/LOW	Input $I_{IH}/I_{IL}$ Output $I_{OH}/I_{OL}$
$I/O_0$ – $I/O_7$	Data Inputs	0.25/0.33	5 $\mu$ A/–0.2 mA
	Data Outputs	75/15 (12.5)	–3 mA/24 mA (20 mA)
$S_0, S_1$	Select Inputs	0.25/0.33	5 $\mu$ A/–0.2 mA
$\overline{OE}$	Output Enable Input (Active LOW)	0.25/0.33	5 $\mu$ A/–0.2 mA
$\overline{CET}$	Count Enable Trickle Input (Active LOW)	0.25/0.33	5 $\mu$ A/–0.2 mA
CP	Clock Pulse Input (Active Rising Edge)	0.25/0.33	5 $\mu$ A/–0.2 mA
$\overline{TC}$	Terminal Count Output (Active LOW)	25/12.5	–1 mA/20 mA

## Function Table

$S_1$	$S_0$	$\overline{CET}$	$\overline{OE}$	CP	Function
X	X	X	H	X	$I/O_0$ to $I/O_7$ in High Z
X	X	X	L	X	Flip-Flop Outputs Appear on I/O Lines
L	L	X	H	$\nearrow$	Parallel Load All Flip-Flops
(Not LL)		H	X	$\nearrow$	Hold ( $\overline{TC}$ Held HIGH)
H	L	L	X	$\nearrow$	Count Up
L	H	L	X	$\nearrow$	Count Down

H = HIGH Voltage Level

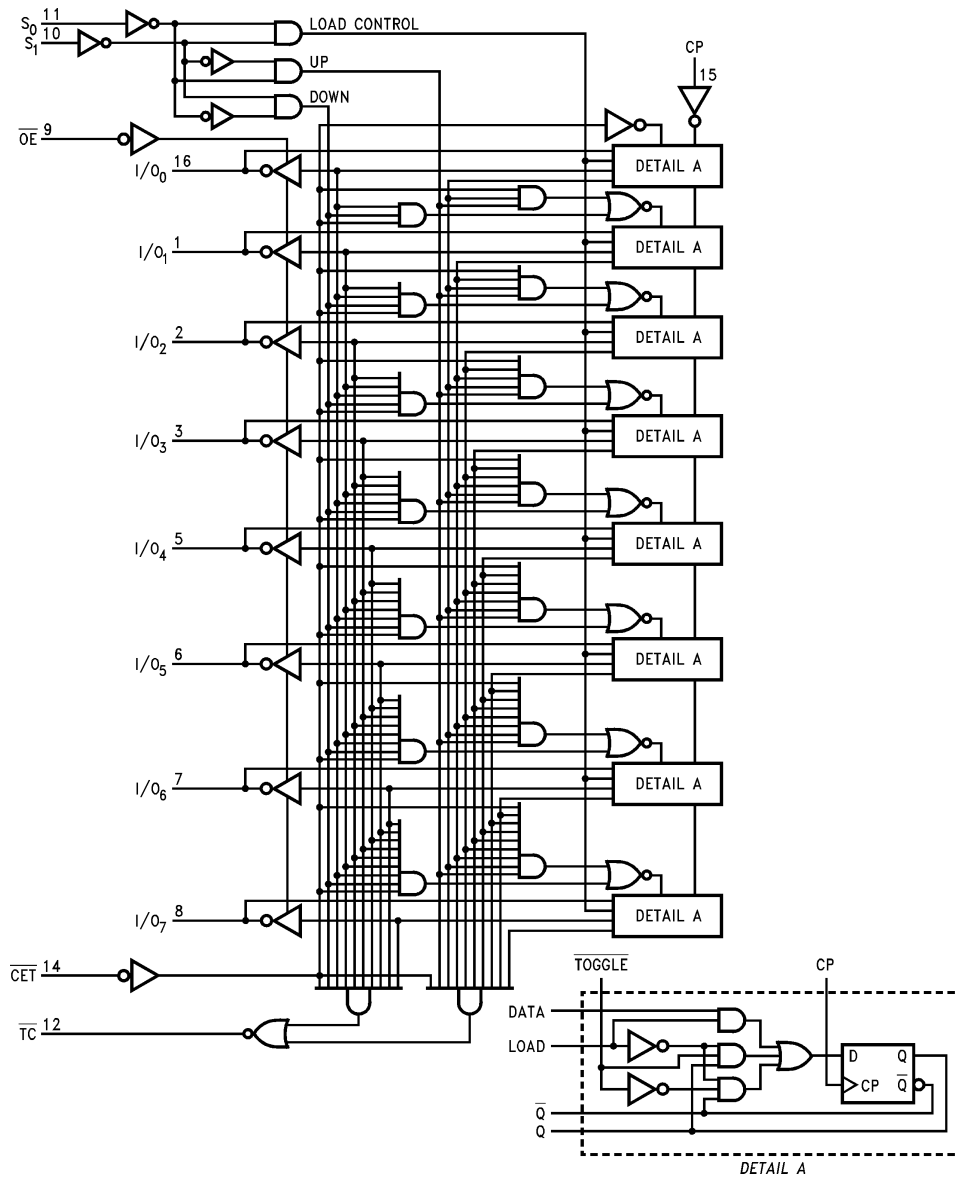
L = LOW Voltage Level

X = Immaterial

$\nearrow$  = LOW-to-HIGH Clock Transition

(Not LL) means  $S_0$  and  $S_1$  should never both be LOW level at the same time.

Logic Diagram



Please note that this diagram is provided only for the understanding of logic operations and should not be used to estimate propagation delays.

**Absolute Maximum Ratings** (Note 1)

Storage Temperature	-65°C to +150°C
Ambient Temperature under Bias	-55°C to +125°C
Junction Temperature under Bias	-55°C to +150°C
V <sub>CC</sub> Pin Potential to Ground Pin	-0.5V to +7.0V
Input Voltage (Note 2)	-0.5V to +7.0V
Input Current ((Note 2)	-30 mA to +5.0 mA
Voltage Applied to Output in HIGH State (with V <sub>CC</sub> = 0V)	
Standard Output	-0.5V to V <sub>CC</sub>
3-STATE Output	-0.5V to +5.5V
Current Applied to Output in LOW State (Max)	twice the rated I <sub>OL</sub> (mA)
ESD Last Passing Voltage (Min)	4000V

**Recommended Operating Conditions**

Free Air Ambient Temperature	0°C to +70°C
Supply Voltage	+4.5V to +5.5V

**Note 1:** Absolute maximum ratings are values beyond which the device may be damaged or have its useful life impaired. Functional operation under these conditions is not implied.

**Note 2:** Either voltage limit or current limit is sufficient to protect inputs.

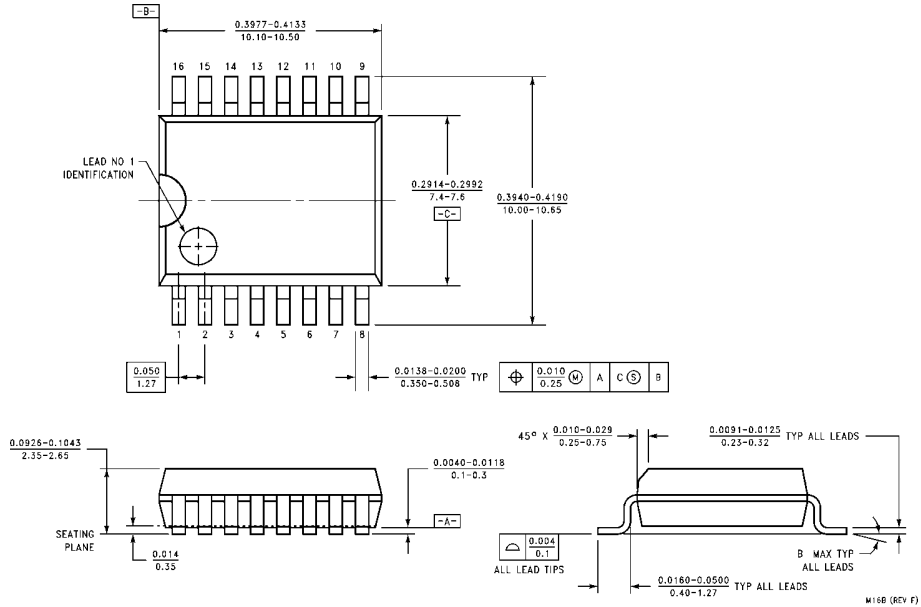
**DC Electrical Characteristics**

Symbol	Parameter	Min	Typ	Max	Units	V <sub>CC</sub>	Conditions
V <sub>IH</sub>	Input HIGH Voltage	2.0			V		Recognized as a HIGH Signal
V <sub>IL</sub>	Input LOW Voltage			0.8	V		Recognized as a LOW Signal
V <sub>CD</sub>	Input Clamp Diode Voltage			-1.2	V	Min	I <sub>IN</sub> = -18 mA
V <sub>OH</sub>	Output HIGH Voltage	10% V <sub>CC</sub> 5% V <sub>CC</sub>	2.4 2.7		V	Min	I <sub>OH</sub> = -3 mA
V <sub>OL</sub>	Output LOW Voltage	10% V <sub>CC</sub> 5% V <sub>CC</sub>		0.5 0.5	V	Min	I <sub>OL</sub> = 20 mA I <sub>OL</sub> = 20 mA
I <sub>IH</sub>	Input HIGH Current			5.0	μA	Max	V <sub>IN</sub> = 2.7V (Non-I/O Pins)
I <sub>BVI</sub>	Input HIGH Current Breakdown Test			7.0	μA	Max	V <sub>IN</sub> = 7.0V (Non-I/O Pins)
I <sub>BVIT</sub>	Input HIGH Current Breakdown (I/O)			0.5	mA	Max	V <sub>IN</sub> = 5.5V (I/O <sub>n</sub> )
I <sub>CEX</sub>	Output HIGH Leakage Current			50	μA	Max	V <sub>OUT</sub> = V <sub>CC</sub>
V <sub>ID</sub>	Input Leakage Test	4.75			V	0.0	I <sub>ID</sub> = 1.9 μA All other pins grounded
I <sub>OD</sub>	Output Leakage Circuit Current			3.75	μA	0.0	V <sub>IOD</sub> = 150 mV All other pins grounded
I <sub>ZZ</sub>	Bus Drainage Test			500	μA	0.0	V <sub>OUT</sub> = 5.25V
I <sub>IL</sub>	Input LOW Current			-0.2	mA	Max	V <sub>IN</sub> = 0.5V (Non I/O Pins)
I <sub>IH</sub> + I <sub>OZH</sub>	Output Leakage Current			70	μA	Max	V <sub>OUT</sub> = 2.7V (I/O <sub>n</sub> )
I <sub>IL</sub> + I <sub>OZL</sub>	Output Leakage Current			-200	μA	Max	V <sub>OUT</sub> = 0.5V (I/O <sub>n</sub> )
I <sub>OS</sub>	Output Short-Circuit Current	-60		-150	mA	Max	V <sub>OUT</sub> = 0V
I <sub>CCH</sub>	Power Supply Current			90	mA	Max	V <sub>O</sub> = HIGH
I <sub>CCL</sub>	Power Supply Current			105	mA	Max	V <sub>O</sub> = LOW
I <sub>CCZ</sub>	Power Supply Current			110	mA	Max	V <sub>O</sub> = HIGH Z

AC Electrical Characteristics							
Symbol	Parameter	T <sub>A</sub> = +25°C V <sub>CC</sub> = +5.0V C <sub>L</sub> = 50 pF			T <sub>A</sub> = 0°C to +70°C V <sub>CC</sub> = +5.0V C <sub>L</sub> = 50 pF		Units
		Min	Typ	Max	Min	Max	
t <sub>MAX</sub>	Maximum Clock Frequency	100	105		90		
t <sub>PLH</sub>	Propagation Delay	3.0	5.0	8.0	3.0	8.5	ns
t <sub>PHL</sub>	CP to I/O <sub>n</sub>	5.0	7.5	11.0	5.0	11.0	
t <sub>PLH</sub>	Propagation Delay	5.0	7.5	9.0	5.0	10.0	ns
t <sub>PHL</sub>	CP to $\overline{TC}$	5.0	9.3	10.5	5.0	11.5	
t <sub>PLH</sub>	Propagation Delay	2.5	3.8	5.5	2.5	6.0	ns
t <sub>PHL</sub>	$\overline{CET}$ to $\overline{TC}$	4.5	6.1	8.0	4.5	8.5	
t <sub>PLH</sub>	Propagation Delay	3.5	6.5	12.0	3.5	13.0	ns
t <sub>PHL</sub>	SN to $\overline{TC}$	3.5	7.5	12.0	3.5	13.0	
t <sub>PZH</sub>	Output Enable Time	3.0	5.0	7.0	3.0	8.0	ns
t <sub>PZL</sub>	$\overline{OE}$ to I/O <sub>n</sub>	5.0	8.0	10.0	5.0	10.5	
t <sub>PHZ</sub>	Output Disable Time	1.0	4.0	6.5	1.0	7.0	ns
t <sub>PLZ</sub>	$\overline{OE}$ to I/O <sub>n</sub>	1.0	3.7	6.5	1.0	7.0	
AC Operating Requirements							
Symbol	Parameter	T <sub>A</sub> = +25°C V <sub>CC</sub> = +5.0V		T <sub>A</sub> = 0°C to +70°C V <sub>CC</sub> = +5.0V		Units	
		Min	Max	Min	Max		
t <sub>S</sub> (H)	Setup Time	5.0		5.0		ns	
t <sub>S</sub> (L)	I/O <sub>n</sub> to CP	5.0		5.0			
t <sub>H</sub> (H)	Hold Time	0.0		0.0		ns	
t <sub>H</sub> (L)	I/O <sub>n</sub> to CP	0.0		0.0			
t <sub>S</sub> (H)	Setup Time	9.5		10.0		ns	
t <sub>S</sub> (L)	S <sub>n</sub> to CP	9.5		10.0			
t <sub>H</sub> (H)	Hold Time	0.0		0.0		ns	
t <sub>H</sub> (L)	S <sub>n</sub> to CP	0.0		0.0			
t <sub>S</sub> (H)	Setup Time	7.0		7.0		ns	
t <sub>S</sub> (L)	$\overline{CET}$ to CP	7.0		7.0			
t <sub>H</sub> (H)	Hold Time	0.0		0.0		ns	
t <sub>H</sub> (L)	$\overline{CET}$ to CP	0.0		0.0			
t <sub>W</sub> (H)	Clock Pulse Width	4.0		4.0		ns	
t <sub>W</sub> (L)	HIGH or LOW	4.0		4.0			

74F779

**Physical Dimensions** inches (millimeters) unless otherwise noted



**16-Lead Small Outline Integrated Circuit (SOIC), JEDEC MS-013, 0.300 Wide  
Package Number M16B**

