

74VHCT240A Octal Buffer/Line Driver with 3-STATE Outputs

General Description

The VHCT240A is an advanced high speed CMOS octal bus transceiver fabricated with silicon gate CMOS technology. It achieves high speed operation similar to equivalent Bipolar Schottky TTL while maintaining the CMOS low power dissipation. The VHCT240A is an inverting 3-STATE buffer having two active-LOW output enables. This device is designed to be used as 3-STATE memory address drivers, clock drivers, and bus oriented transmitter/receivers.

Protection circuits ensure that 0V to 7V can be applied to the input and output (Note 1) pins without regard to the supply voltage. These circuits prevent device destruction

due to mismatched supply and input/output voltages. This device can be used to interface 5V to 3V systems and two supply systems such as battery back up.

Note 1: Outputs in OFF-State

Features

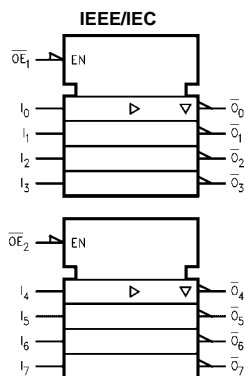
- High Speed: $t_{PD} = 5.6$ ns (typ) at $V_{CC} = 5V$
- Power down protection is provided on inputs and outputs
- Low power dissipation: $I_{CC} = 4 \mu A$ (max) @ $T_A = 25^\circ C$
- Pin and function compatible with 74HCT240

Ordering Code:

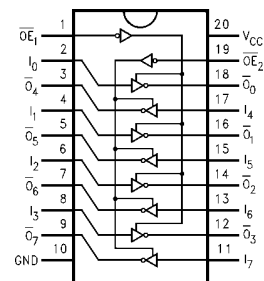
Order Number	Package Number	Package Description
74VHCT240AM	M20B	20-Lead Small Outline Integrated Circuit (SOIC), JEDEC MS-013, 0.300 Wide
74VHCT240ASJ	M20D	20-Lead Small Outline Package (SOP), EIAJ TYPE II, 5.3mm Wide
74VHCT240AMTC	MTC20	20-Lead Thin Shrink Small Outline Package (TSSOP), JEDEC MO-153, 4.4mm Wide
74VHCT240AN	N20A	20-Lead Plastic Dual-In-Line Package (PDIP), JEDEC MS-001, 0.300 Wide

Surface mount packages are also available on Tape and Reel. Specify by appending the suffix letter "X" to the ordering code.

Logic Symbol



Connection Diagram



Pin Descriptions

Pin Names	Description
$\overline{OE}_1, \overline{OE}_2$	3-STATE Output Enable
I_0 - I_7	Inputs
\overline{O}_0 - \overline{O}_7	Outputs 3-STATE Outputs

Truth Tables

Inputs		Outputs (Pins 12, 14, 16, 18)
\overline{OE}_1	I_n	
L	L	H
L	H	L
H	X	Z

Inputs		Outputs (Pins 3, 5, 7, 9)
\overline{OE}_1	I_n	
L	L	H
L	H	L
H	X	Z

H - HIGH Voltage Level
L - LOW Voltage Level
X - Immaterial
Z - High Impedance

Absolute Maximum Ratings (Note 2)			Recommended Operating Conditions (Note 6)						
Supply Voltage (V_{CC})		-0.5V to +7.0V	Supply Voltage (V_{CC})			4.5V to +5.5V			
DC Input Voltage (V_{IN})		-0.5V to +7.0V	Input Voltage (V_{IN})			0V to +5.5V			
DC Output Voltage (V_{OUT})		-0.5V to $V_{CC} + 0.5V$	Output Voltage (V_{OUT})			0V to V_{CC}			
(Note 3)		-0.5V to +7.0V	(Note 3)			0V to +5.5V			
Input Diode Current (I_{IK})		-20 mA	Operating Temperature (T_{OPR})			-40°C to +85°C			
Output Diode Current (I_{OK}) (Note 5)		±20 mA	Input Rise and Fall Time (t_r, t_f)			$V_{CC} = 5.0V \pm 0.5V$ 0 ns/V ~ 20 ns/V			
DC Output Current (I_{OUT})		±25 mA	Note 2: Absolute Maximum Ratings are values beyond which the device may be damaged or have its useful life impaired. The databook specifications should be met, without exception, to ensure that the system design is reliable over its power supply, temperature, and output/input loading variables. Fairchild does not recommend operation outside databook specifications.						
DC V_{CC} /GND Current (I_{CC})		±75 mA	Note 3: HIGH or LOW state. I_{OUT} absolute maximum rating must be observed.						
Storage Temperature (T_{STG})		-65°C to +150°C	Note 4: When outputs are in OFF-State or when $V_{CC} = 0V$.						
Lead Temperature (T_L)		260°C	Note 5: $V_{OUT} < GND$, $V_{OUT} > V_{CC}$ (Outputs Active).						
(Soldering, 10 seconds)			Note 6: Unused inputs must be held HIGH or LOW. They may not float.						
DC Electrical Characteristics									
Symbol	Parameter	V_{CC} (V)	$T_A = 25^\circ C$			$T_A = -40^\circ C$ to $+85^\circ C$		Units	Conditions
			Min	Typ	Max	Min	Max		
V_{IH}	HIGH Level	4.5	2.0			2.0		V	
	Input Voltage	5.5	2.0			2.0			
V_{IL}	LOW Level	4.5			0.8		0.8	V	
	Input Voltage	5.5			0.8		0.8		
V_{OH}	HIGH Level	4.5	4.40	4.50		4.40		V	$V_{IN} = V_{IH}$ or V_{IL}
	Output Voltage		3.94			3.80			
V_{OL}	LOW Level	4.5	0.0	0.1		0.1		V	$V_{IN} = V_{IH}$ or V_{IL}
	Output Voltage			0.36		0.44			
I_{OZ}	3-STATE Output Off-State Current	5.5		±0.25		±2.5		μA	$V_{IN} = V_{IH}$ or V_{IL} $V_{OUT} = V_{CC}$ or GND
I_{IN}	Input Leakage Current	0-5.5		±0.1		±1.0		μA	$V_{IN} = 5.5V$ or GND
I_{CC}	Quiescent Supply Current	5.5		4.0		40.0		μA	$V_{IN} = V_{CC}$ or GND
I_{CCT}	Maximum I_{CC} /Input	5.5		1.35		1.50		mA	$V_{IN} = 3.4V$ Other Input = V_{CC} or GND
I_{OFF}	Output Leakage Current (Power Down State)	0.0		0.5		5.0		μA	$V_{OUT} = 5.5V$
Noise Characteristics									
Symbol	Parameter	V_{CC} (V)	$T_A = 25^\circ C$		Units	Conditions			
			Typ	Limits					
V_{OLP} (Note 7)	Quiet Output Maximum Dynamic V_{OL}	5.0	0.9	1.1	V	$C_L = 50 \text{ pF}$			
V_{OLV} (Note 7)	Quiet Output Minimum Dynamic V_{OL}	5.0	-0.9	-1.1	V	$C_L = 50 \text{ pF}$			
V_{IHD} (Note 7)	Minimum HIGH Level Dynamic Input Voltage	5.0		2.0	V	$C_L = 50 \text{ pF}$			
V_{ILD} (Note 7)	Maximum LOW Level Dynamic Input Voltage	5.0		0.8	V	$C_L = 50 \text{ pF}$			
Note 7: Parameter guaranteed by design.									

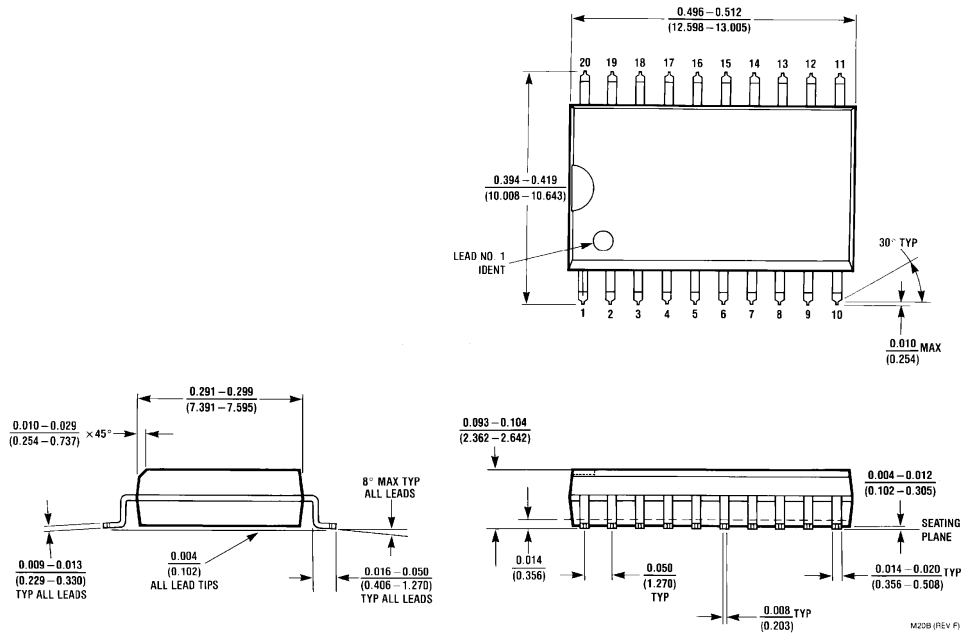
AC Electrical Characteristics

Symbol	Parameter	V _{CC} (V)	T _A = 25°C			T _A = -40°C to +85°C		Units	Conditions
			Min	Typ	Max	Min	Max		
t _{PLH}	Propagation Delay Time	5.0 ± 0.5	5.6	7.8	1.0	9.0	ns	C _L = 15 pF	
t _{PHL}			6.1	8.8	1.0	10.0		C _L = 50 pF	
t _{PZL}	3-STATE Output Enable Time	5.0 ± 0.5	6.5	10.4	1.0	12.5	ns	R _L = 1 kΩ C _L = 15 pF	
t _{PZH}			7.3	11.4	1.0	13.5		C _L = 50 pF	
t _{PLZ}	3-STATE Output Disable Time	5.0 ± 0.5	7.0	11.4	1.0	13.0	ns	R _L = 1 kΩ C _L = 50 pF	
t _{OSLH}	Output to Output Skew	5.0 ± 0.5		1.0		1.0	ns	(Note 8)	
t _{OSSL}									
C _{IN}	Input Capacitance		4	10		10	pF	V _{CC} = Open	
C _{OUT}	Output Capacitance		9				pF	V _{CC} = 5.0V	
C _{PD}	Power Dissipation Capacitance		19				pF	(Note 9)	

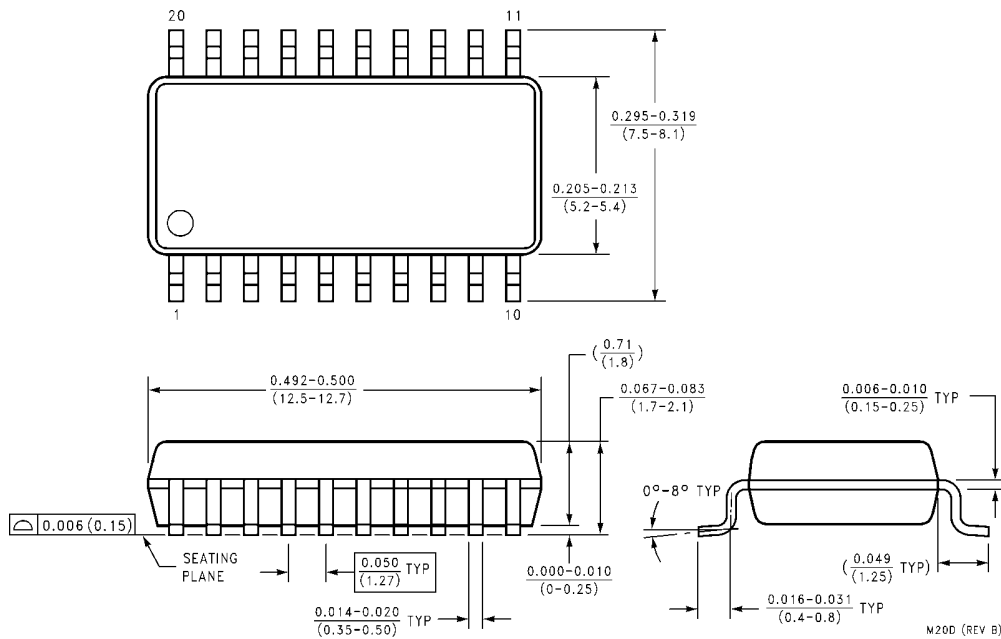
Note 8: Parameter guaranteed by design. $t_{OSLH} = |t_{PLH\ max} - t_{PLH\ min}|$; $t_{OSSL} = |t_{PHL\ max} - t_{PHL\ min}|$

Note 9: C_{PD} is defined as the value of the internal equivalent capacitance which is calculated from the operating current consumption without load. Average operating current can be obtained by the equation: $I_{CC\ (opr.)} = C_{PD} * V_{CC} * f_{IN} + I_{CC}/8$ (per F/F). The total C_{PD} when n pcs. of the Octal D Flip-Flop operates can be calculated by the equation: C_{PD} (total) = 20 + 12n.

Physical Dimensions inches (millimeters) unless otherwise noted

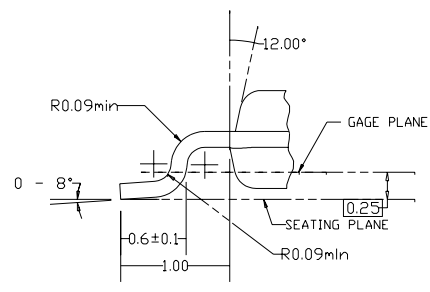
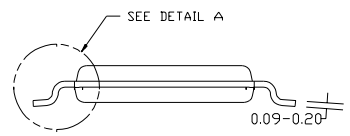
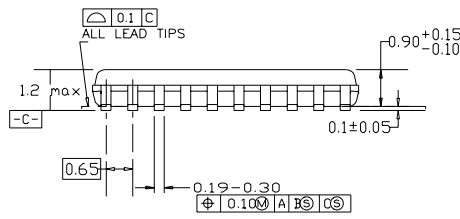
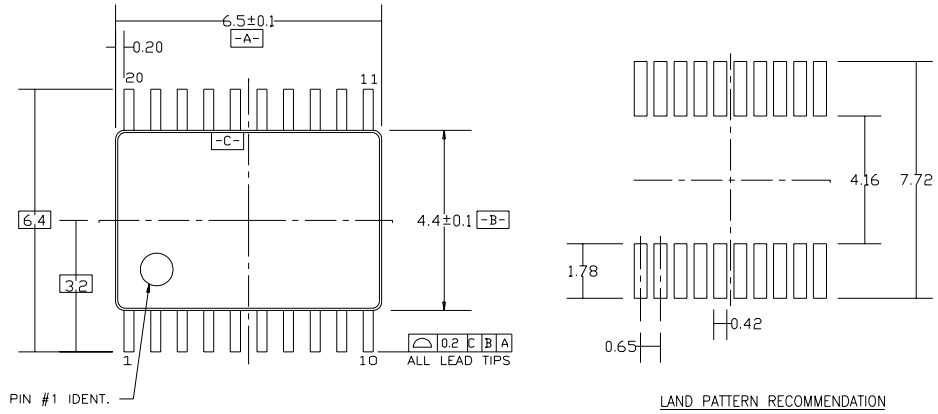


20-Lead Small Outline Integrated Circuit (SOIC), JEDEC MS-013, 0.300 Wide Package Number M20B



20-Lead Small Outline Package (SOP), EIAJ TYPE II, 5.3mm Wide Package Number M20D

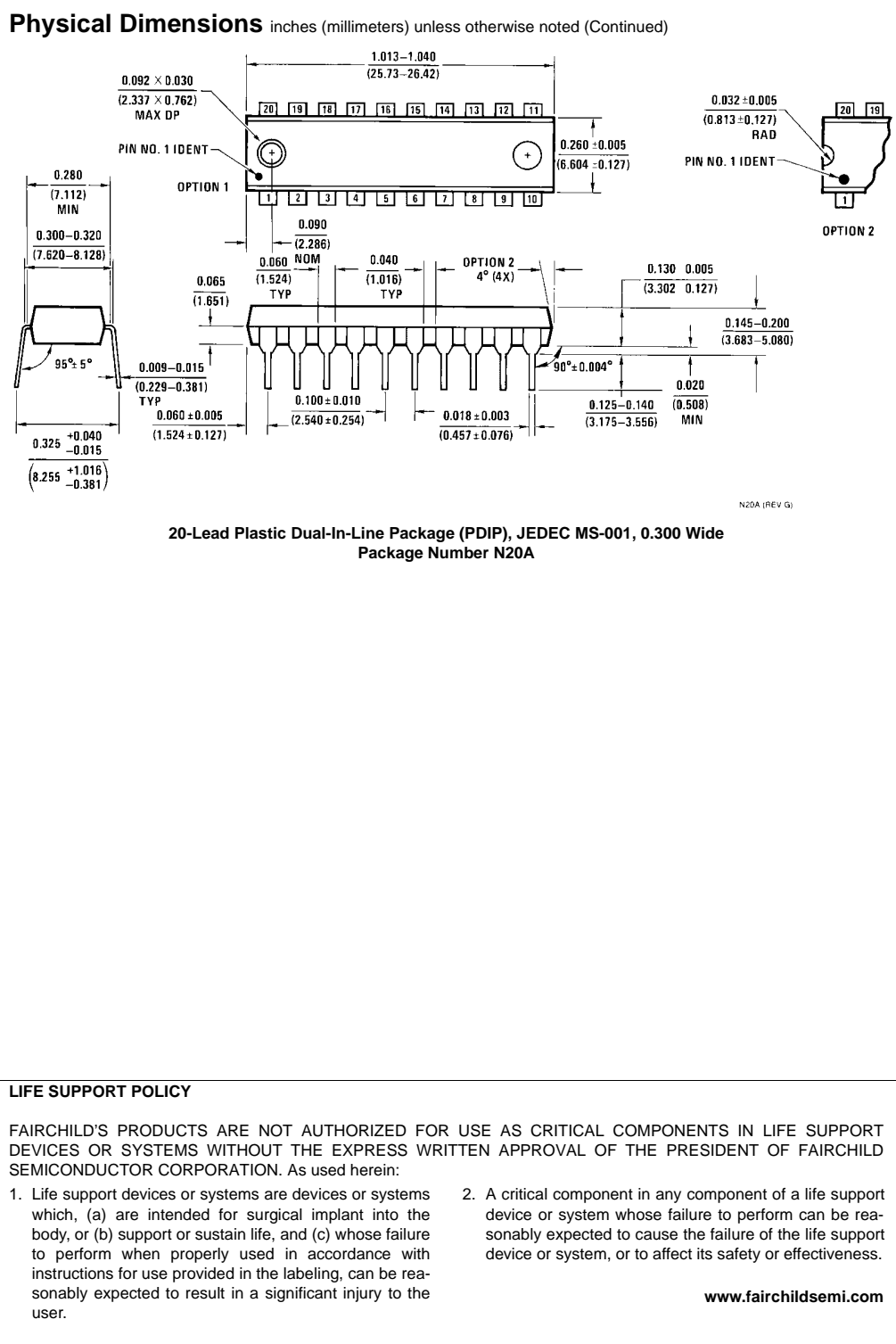
Physical Dimensions inches (millimeters) unless otherwise noted (Continued)



DIMENSIONS ARE IN MILLIMETERS

- NOTES:
- A. CONFORMS TO JEDEC REGISTRATION MD-153, VARIATION AC, REF NOTE 6, DATE 7/93.
 - B. DIMENSIONS ARE IN MILLIMETERS.
 - C. DIMENSIONS ARE EXCLUSIVE OF BURRS, MOLDS FLASH, AND TIE BAR EXTRUSIONS.
 - D. DIMENSIONS AND TOLERANCES PER ANSI Y14.5M, 1982.

**20-Lead Thin Shrink Small Outline Package (TSSOP), JEDEC MO-153, 4.4mm Wide
Package Number MTC20**



LIFE SUPPORT POLICY

FAIRCHILD'S PRODUCTS ARE NOT AUTHORIZED FOR USE AS CRITICAL COMPONENTS IN LIFE SUPPORT DEVICES OR SYSTEMS WITHOUT THE EXPRESS WRITTEN APPROVAL OF THE PRESIDENT OF FAIRCHILD SEMICONDUCTOR CORPORATION. As used herein:

1. Life support devices or systems are devices or systems which, (a) are intended for surgical implant into the body, or (b) support or sustain life, and (c) whose failure to perform when properly used in accordance with instructions for use provided in the labeling, can be reasonably expected to result in a significant injury to the user.
2. A critical component in any component of a life support device or system whose failure to perform can be reasonably expected to cause the failure of the life support device or system, or to affect its safety or effectiveness.

www.fairchildsemi.com

Fairchild does not assume any responsibility for use of any circuitry described, no circuit patent licenses are implied and Fairchild reserves the right at any time without notice to change said circuitry and specifications.