

BZX84C 3V3 - BZX84C 33 Series Zeners

Tolerance: C = 5%

Absolute Maximum Ratings*

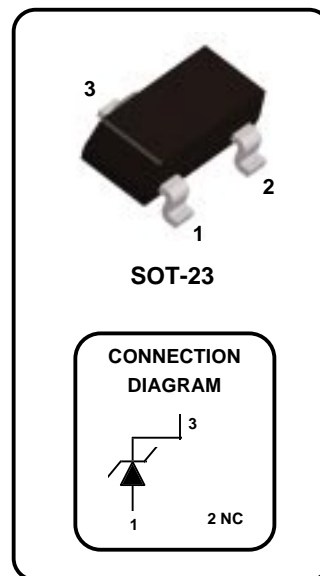
TA = 25°C unless otherwise noted

| Parameter | Value | Units |
|---|-------------|-------|
| Storage Temperature Range | -55 to +150 | °C |
| Maximum Junction Operating Temperature | + 150 | °C |
| Total Device Dissipation | 350 | mW |
| Derate above 25°C | 1.8 | mW/°C |
| Repetitive Peak Forward Current (I _{FRM}) | 250 | mA |
| Repetitive Peak Working Current (I _{ZRM}) | 250 | mA |

*These ratings are limiting values above which the serviceability of the diode may be impaired.

NOTES:

- 1) These ratings are based on a maximum junction temperature of 150 degrees C.
- 2) These are steady state limits. The factory should be consulted on applications involving pulsed or low duty cycle operations.



Electrical Characteristics

TA = 25°C unless otherwise noted

| Device | Mark | I _{ZT} = 5.0 mA | | | I _{ZT} = 1.0 mA | | | I _{ZT} = 20 mA | | |
|-------------------|------|--------------------------|------|--------------------|--------------------------|------|--------------------|-------------------------|------|--------------------|
| | | V _Z (V) | | Z _Z (Ω) | V _Z (V) | | Z _Z (Ω) | V _Z (V) | | Z _Z (Ω) |
| | | MIN | MAX | (Ω) | MIN | MAX | (Ω) | MIN | MAX | (Ω) |
| BZX84C 3V3 | Z14 | 3.1 | 3.5 | 95 | 2.3 | 2.9 | 600 | 3.6 | 4.2 | 40 |
| BZX84C 3V6 | Z15 | 3.4 | 3.8 | 90 | 2.7 | 3.3 | 600 | 3.9 | 4.5 | 40 |
| BZX84C 3V9 | Z16 | 3.7 | 4.1 | 90 | 2.9 | 3.5 | 600 | 4.1 | 4.7 | 30 |
| BZX84C 4V3 | Z17 | 4.0 | 4.6 | 90 | 3.3 | 4.0 | 600 | 4.4 | 5.1 | 30 |
| BZX84C 4V7 | Z1 | 4.4 | 5.0 | 80 | 3.7 | 4.7 | 500 | 4.5 | 5.4 | 15 |
| BZX84C 5V1 | Z2 | 4.8 | 5.4 | 60 | 4.2 | 5.3 | 480 | 5.0 | 5.9 | 15 |
| BZX84C 5V6 | Z3 | 5.2 | 6.0 | 40 | 4.8 | 6.0 | 400 | 5.2 | 6.3 | 10 |
| BZX84C 6V2 | Z4 | 5.8 | 6.6 | 10 | 5.6 | 6.6 | 150 | 5.8 | 6.8 | 6 |
| BZX84C 6V8 | Z5 | 6.4 | 7.2 | 15 | 6.3 | 7.2 | 80 | 6.4 | 7.4 | 6 |
| BZX84C 7V5 | Z6 | 7.0 | 7.9 | 15 | 6.9 | 7.9 | 80 | 7.0 | 8.0 | 6 |
| BZX84C 8V2 | Z7 | 7.7 | 8.7 | 15 | 7.6 | 8.7 | 80 | 7.7 | 8.8 | 6 |
| BZX84C 9V1 | Z8 | 8.5 | 9.6 | 15 | 8.4 | 9.6 | 100 | 8.5 | 9.7 | 8 |
| BZX84C 10 | Z9 | 9.4 | 10.6 | 20 | 9.3 | 10.6 | 150 | 9.4 | 10.7 | 10 |
| BZX84C 11 | Y1 | 10.4 | 11.6 | 20 | 10.2 | 11.6 | 150 | 10.4 | 11.8 | 10 |
| BZX84C 12 | Y2 | 11.4 | 12.7 | 25 | 11.2 | 12.7 | 150 | 11.4 | 12.9 | 10 |
| BZX84C 13 | Y3 | 12.4 | 14.1 | 30 | 12.3 | 14.0 | 170 | 12.5 | 14.2 | 15 |
| BZX84C 15 | Y4 | 13.8 | 15.6 | 30 | 13.7 | 15.5 | 200 | 13.9 | 15.7 | 20 |
| BZX84C 16 | Y5 | 15.3 | 17.1 | 40 | 15.2 | 17 | 200 | 15.4 | 17.2 | 20 |
| BZX84C 18 | Y6 | 16.8 | 19.1 | 45 | 16.7 | 19 | 225 | 16.9 | 19.2 | 20 |
| BZX84C 20 | Y7 | 18.8 | 21.2 | 55 | 18.7 | 21.1 | 225 | 18.9 | 21.4 | 20 |
| BZX84C 22 | Y8 | 20.8 | 23.3 | 55 | 20.7 | 23.2 | 250 | 20.9 | 23.4 | 25 |
| BZX84C 24 | Y9 | 22.8 | 25.6 | 70 | 22.7 | 25.5 | 250 | 22.9 | 25.7 | 25 |

NOTE: National preferred devices in **BOLD**

BZX84C Series Zeners

(continued)

Electrical Characteristics (continued)

TA = 25°C unless otherwise noted

| Device | Mark | I _{ZT} = 2.0 mA | | I _{ZT} = 100 μA* | | I _{ZT} = 10 mA | | | | |
|------------------|------|--------------------------|------|---------------------------|------|-------------------------|-----|--------------------|------|----|
| | | V _Z (V) | | Z _Z (Ω) | | V _Z (V) | | Z _Z (Ω) | | |
| | | MIN | MAX | MIN | MAX | MIN | MAX | | | |
| BZX84C 27 | Y10 | 25.1 | 28.9 | 80 | 25 | 28.9 | 300 | 25.2 | 29.3 | 45 |
| BZX84C 30 | Y11 | 28 | 32 | 80 | 27.8 | 32 | 300 | 28.1 | 32.4 | 50 |
| BZX84C 33 | Y12 | 31 | 35 | 80 | 30.8 | 35 | 325 | 31.1 | 35.4 | 55 |

V_F Forward Voltage = 0.9 V Maximum @ I_F = 10 mA for all BZX 84 series

*Capacitance @ V_R = 0.0 volts; Frequency = 1.0 megahertz.

| Device | V _R (V) | I _R (μA) | CAP* (pF) | D _{VZ} / D _t @ 5.0 mA (mV/k) | |
|------------|--------------------|---------------------|-----------|--|-------|
| | | | | MIN | MAX |
| BZX84C 3V3 | 1.0 | 5.0 | 450 | - 3.5 | 0.0 |
| BZX84C 3V6 | 1.0 | 5.0 | 450 | - 3.5 | 0.0 |
| BZX84C 3V9 | 1.0 | 5.0 | 450 | - 3.5 | 0.0 |
| BZX84C 4V3 | 1.0 | 5.0 | 450 | - 3.5 | 0.0 |
| BZX84C 4V7 | 2.0 | 3 | 260 | - 3.5 | + 0.2 |
| BZX84C 5V1 | 2.0 | 2 | 225 | - 2.7 | + 1.2 |
| BZX84C 5V6 | 2.0 | 1 | 200 | - 2.0 | + 2.5 |
| BZX84C 6V2 | 4.0 | 3 | 185 | + 0.4 | + 3.7 |
| BZX84C 6V8 | 4.0 | 2 | 155 | + 1.2 | + 4.5 |
| BZX84C 7V5 | 5.0 | 1 | 140 | + 2.5 | + 5.3 |
| BZX84C 8V2 | 5.0 | 0.7 | 135 | + 3.2 | + 6.2 |
| BZX84C 9V1 | 6.0 | 0.5 | 130 | + 3.8 | + 7.0 |
| BZX84C 10 | 7.0 | 0.2 | 130 | + 4.5 | + 8.0 |
| BZX84C 11 | 8.0 | 0.1 | 130 | + 5.4 | + 9.0 |
| BZX84C 12 | 8.0 | 0.1 | 130 | + 6.0 | + 10 |
| BZX84C 13 | 8.0 | 0.1 | 120 | + 7.0 | + 11 |
| BZX84C 15 | 10.5 | 0.05 | 110 | + 9.2 | + 13 |
| BZX84C 16 | 11.2 | 0.05 | 105 | + 10.4 | + 14 |
| BZX84C 18 | 12.6 | 0.05 | 100 | + 12.4 | + 16 |
| BZX84C 20 | 14 | 0.05 | 85 | + 14.4 | + 18 |
| BZX84C 22 | 15.4 | 0.05 | 85 | + 16.4 | + 20 |
| BZX84C 24 | 16.8 | 0.05 | 80 | + 18.4 | + 22 |

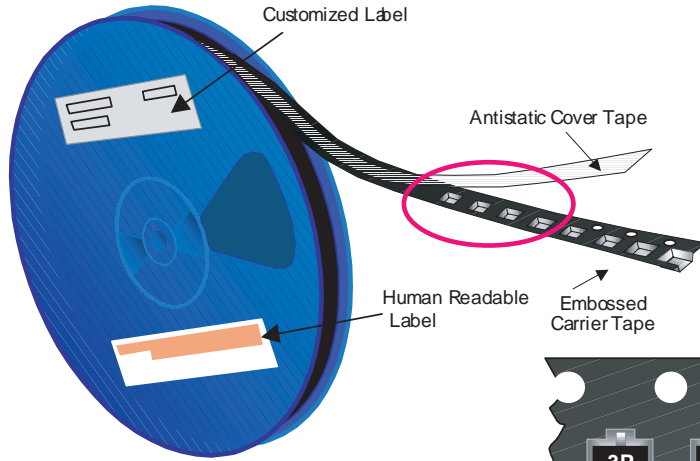
| Device | V _R (V) | I _R (μA) | CAP* (pF) | D _{VZ} / D _t @ 2.0 mA (mV/k) | |
|-----------|--------------------|---------------------|-----------|--|------|
| | | | | MIN | MAX |
| BZX84C 27 | 18.9 | 0.05 | 70 | 21.4 | 25.3 |
| BZX84C 30 | 21 | 0.05 | 70 | 24.4 | 29.4 |
| BZX84C 33 | 23.1 | 0.05 | 70 | 27.4 | 33.4 |

BZX84C 4V7 - BZX84C 33 Series

SOT-23 Tape and Reel Data and Package Dimensions



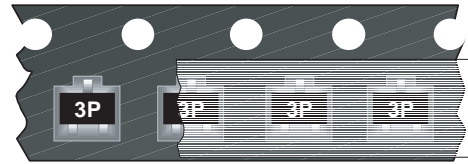
SOT-23 Packaging Configuration: Figure 10



Packaging Description:

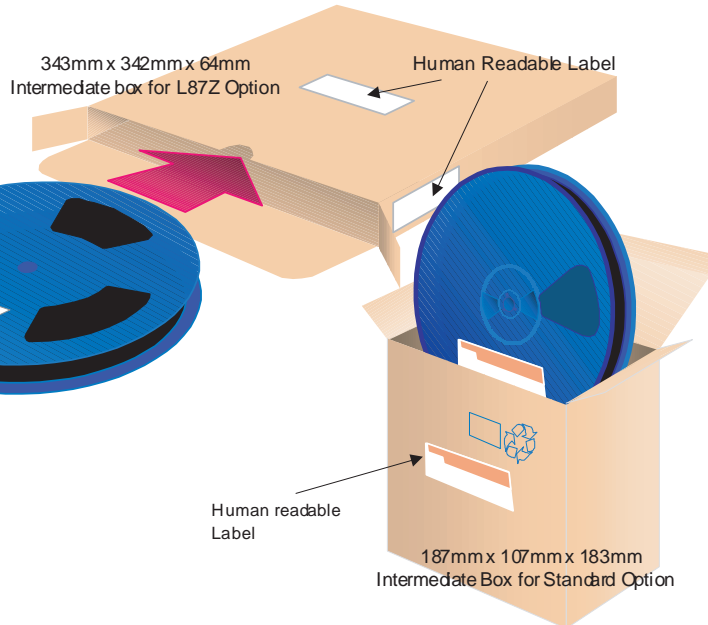
SOT-23 parts are shipped in tape. The carrier tape is made from a dissipative (carbon filled) polycarbonate resin. The cover tape is a multilayer film (Heat Activated Adhesive in nature) primarily composed of polyester film, adhesive layer, sealant, and anti-static sprayed agent. These reeled parts in standard option are shipped with 3,000 units per 7" or 177mm diameter reel. The reels are dark blue in color and are made of polystyrene plastic (anti-static coated). Other option comes in 10,000 units per 13" or 330mm diameter reel. This and some other options are described in the Packaging Information table.

These full reels are individually labeled and placed inside a standard intermediate made of recyclable corrugated brown paper with a Fairchild logo printing. One pizza box contains eight reels maximum. And these intermediate boxes are placed inside a labeled shipping box which comes in different sizes depending on the number of parts shipped.



| SOT-23 Packaging Information | | |
|------------------------------|-------------------------|------------|
| Packaging Option | Standard (no flow code) | D87Z |
| Packaging type | TNR | TNR |
| Qty per Reel/Tube/Bag | 3,000 | 10,000 |
| Reel Size | 7" Dia | 13" |
| Box Dimension (mm) | 187x107x183 | 343x343x64 |
| Max qty per Box | 24,000 | 30,000 |
| Weight per unit (gm) | 0.0082 | 0.0082 |
| Weight per Reel (kg) | 0.1175 | 0.4006 |
| Note/Comments | | |

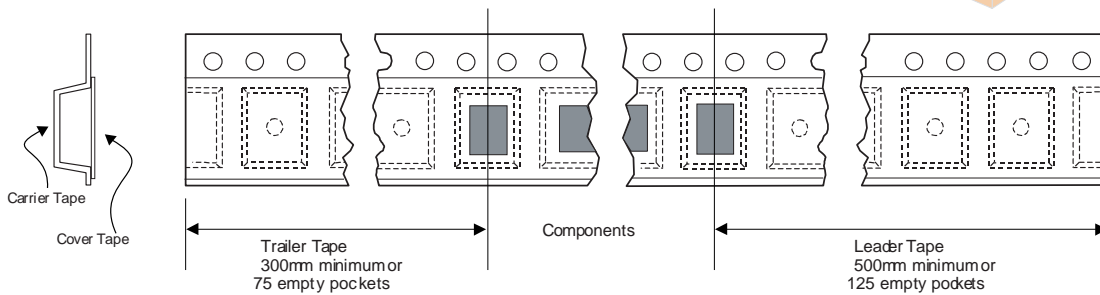
SOT-23 Unit Orientation



Human Readable Label sample

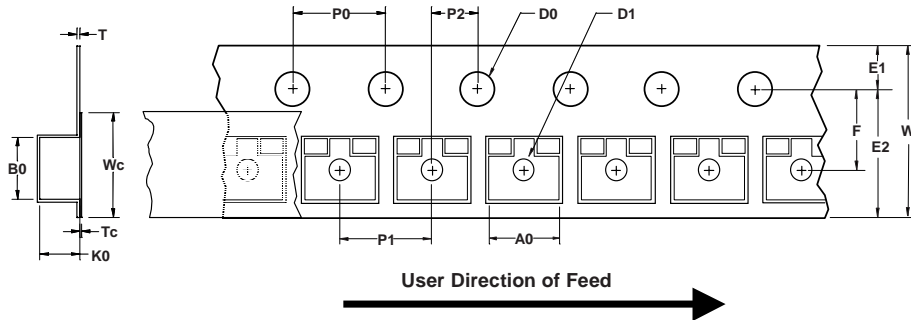


SOT-23 Tape Leader and Trailer Configuration: Figure 20



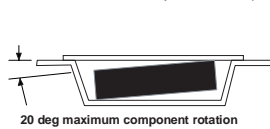
SOT-23 Tape and Reel Data and Package Dimensions, continued

SOT-23 Embossed Carrier Tape Configuration: Figure 3.0

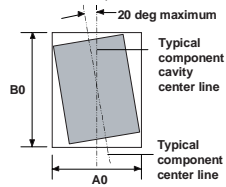


| Dimensions are in millimeter | | | | | | | | | | | | | | |
|------------------------------|---------------|---------------|-------------|---------------|-----------------|---------------|-------------|---------------|-------------|-------------|---------------|-----------------|-------------|---------------|
| Pkg type | A0 | B0 | W | D0 | D1 | E1 | E2 | F | P1 | P0 | K0 | T | Wc | Tc |
| SOT-23 (8mm) | 3.15 ±0.10 | 2.77 ±0.10 | 8.0 ±0.3 | 1.55 ±0.05 | 1.125 ±0.125 | 1.75 ±0.10 | 6.25 min | 3.50 ±0.05 | 4.0 ±0.1 | 4.0 ±0.1 | 1.30 ±0.10 | 0.228 ±0.013 | 5.2 ±0.3 | 0.06 ±0.02 |

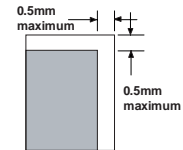
Notes: A0, B0, and K0 dimensions are determined with respect to the EIA/Jedec RS-481 rotational and lateral movement requirements (see sketches A, B, and C).



Sketch A (Side or Front Sectional View)
Component Rotation

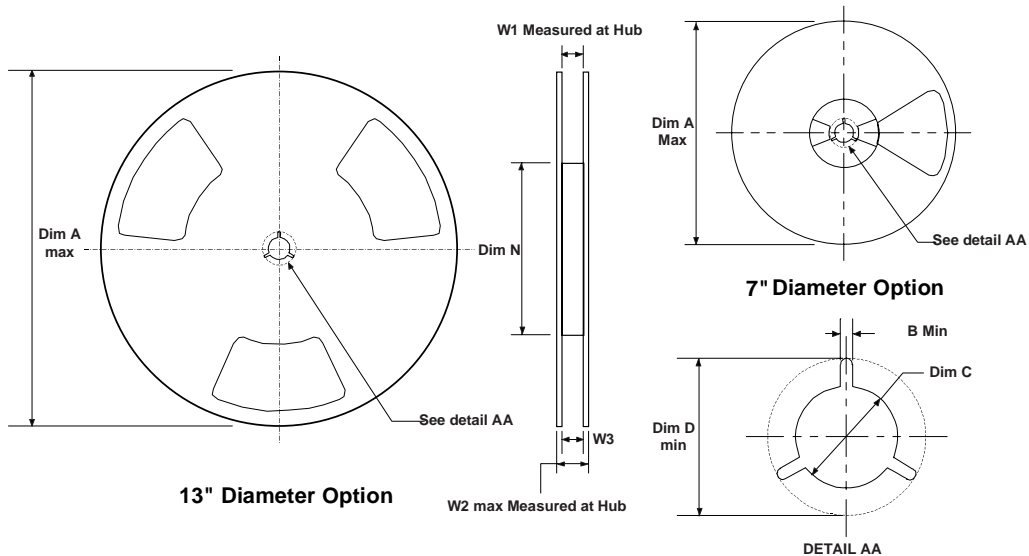


Sketch B (Top View)
Component Rotation



Sketch C (Top View)
Component lateral movement

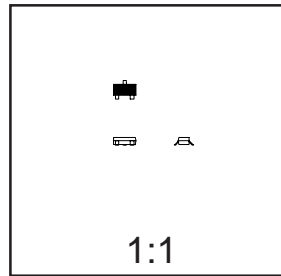
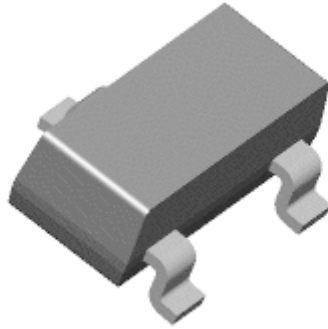
SOT-23 Reel Configuration: Figure 4.0



| Dimensions are in inches and millimeters | | | | | | | | | |
|--|-------------|---------------|--------------|-----------------------------------|---------------|-------------|-----------------------------------|---------------|----------------------------|
| Tape Size | Reel Option | Dim A | Dim B | Dim C | Dim D | Dim N | Dim W1 | Dim W2 | Dim W3 (LSL-USL) |
| 8mm | 7" Dia | 7.00 177.8 | 0.059 1.5 | 512 +0.020/-0.008 13 +0.5/-0.2 | 0.795 20.2 | 2.165 55 | 0.331 +0.059/-0.000 8.4 +1.5/0 | 0.567 14.4 | 0.311 -0.429 7.9 - 10.9 |
| 8mm | 13" Dia | 13.00 330 | 0.059 1.5 | 512 +0.020/-0.008 13 +0.5/-0.2 | 0.795 20.2 | 4.00 100 | 0.331 +0.059/-0.000 8.4 +1.5/0 | 0.567 14.4 | 0.311 -0.429 7.9 - 10.9 |

SOT-23 Tape and Reel Data and Package Dimensions, continued

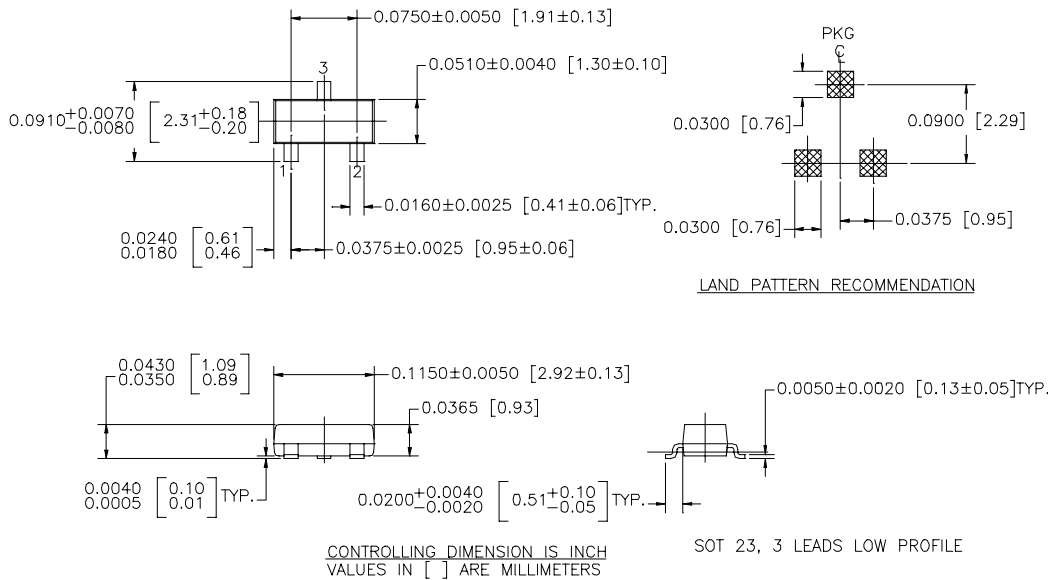
SOT-23 (FS PKG Code 49)



Scale 1:1 on letter size paper

Dimensions shown below are in:
inches [millimeters]

Part Weight per unit (gram): 0.0082



NOTE : UNLESS OTHERWISE SPECIFIED

- STANDARD LEAD FINISH 150 MICROINCHES / 3.81 MICROMETERS
MINIMUM TIN / LEAD (SOLDER) ON ALLOY 42
- REFERENCE JEDEC REGISTRATION TO-236, VARIATION AB, ISSUE G, DATED JUL 1993

TRADEMARKS

The following are registered and unregistered trademarks Fairchild Semiconductor owns or is authorized to use and is not intended to be an exhaustive list of all such trademarks.

| | | |
|----------------------|---------------|-------------|
| ACEx™ | HiSeC™ | SuperSOT™-8 |
| Bottomless™ | ISOPLANAR™ | SyncFET™ |
| CoolFET™ | MICROWIRE™ | TinyLogic™ |
| CROSSVOLT™ | POP™ | UHC™ |
| E ² CMOS™ | PowerTrench® | VCX™ |
| FACT™ | QFET™ | |
| FACT Quiet Series™ | QS™ | |
| FAST® | Quiet Series™ | |
| FASTr™ | SuperSOT™-3 | |
| GTO™ | SuperSOT™-6 | |

DISCLAIMER

FAIRCHILD SEMICONDUCTOR RESERVES THE RIGHT TO MAKE CHANGES WITHOUT FURTHER NOTICE TO ANY PRODUCTS HEREIN TO IMPROVE RELIABILITY, FUNCTION OR DESIGN. FAIRCHILD DOES NOT ASSUME ANY LIABILITY ARISING OUT OF THE APPLICATION OR USE OF ANY PRODUCT OR CIRCUIT DESCRIBED HEREIN; NEITHER DOES IT CONVEY ANY LICENSE UNDER ITS PATENT RIGHTS, NOR THE RIGHTS OF OTHERS.

LIFE SUPPORT POLICY

FAIRCHILD'S PRODUCTS ARE NOT AUTHORIZED FOR USE AS CRITICAL COMPONENTS IN LIFE SUPPORT DEVICES OR SYSTEMS WITHOUT THE EXPRESS WRITTEN APPROVAL OF FAIRCHILD SEMICONDUCTOR CORPORATION. As used herein:

1. Life support devices or systems are devices or systems which, (a) are intended for surgical implant into the body, or (b) support or sustain life, or (c) whose failure to perform when properly used in accordance with instructions for use provided in the labeling, can be reasonably expected to result in significant injury to the user.
2. A critical component is any component of a life support device or system whose failure to perform can be reasonably expected to cause the failure of the life support device or system, or to affect its safety or effectiveness.

PRODUCT STATUS DEFINITIONS

Definition of Terms

| Datasheet Identification | Product Status | Definition |
|--------------------------|------------------------|---|
| Advance Information | Formative or In Design | This datasheet contains the design specifications for product development. Specifications may change in any manner without notice. |
| Preliminary | First Production | This datasheet contains preliminary data, and supplementary data will be published at a later date. Fairchild Semiconductor reserves the right to make changes at any time without notice in order to improve design. |
| No Identification Needed | Full Production | This datasheet contains final specifications. Fairchild Semiconductor reserves the right to make changes at any time without notice in order to improve design. |
| Obsolete | Not In Production | This datasheet contains specifications on a product that has been discontinued by Fairchild semiconductor. The datasheet is printed for reference information only. |