

# FDD3670

## 100V N-Channel PowerTrench® MOSFET

### General Description

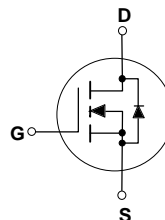
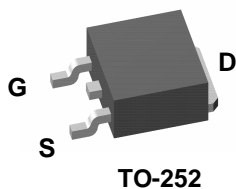
This N-Channel MOSFET has been designed specifically to improve the overall efficiency of DC/DC converters using either synchronous or conventional switching PWM controllers.

These MOSFETs feature faster switching and lower gate charge than other MOSFETs with comparable  $R_{DS(ON)}$  specifications.

The result is a MOSFET that is easy and safer to drive (even at very high frequencies), and DC/DC power supply designs with higher overall efficiency.

### Features

- 34 A, 100 V.  $R_{DS(ON)} = 0.030 \Omega @ V_{GS} = 10 V$   
 $R_{DS(ON)} = 0.033 \Omega @ V_{GS} = 6 V$
- Low gate charge (57 nC typical)
- Fast switching speed
- High performance trench technology for extremely low  $R_{DS(ON)}$
- High power and current handling capability.



### Absolute Maximum Ratings $T_A=25^\circ\text{C}$ unless otherwise noted

| Symbol         | Parameter   | Ratings     | Units            |
|----------------|---|-------------|------------------|
| $V_{DSS}$      | Drain-Source Voltage  | 100         | V                |
| $V_{GSS}$      | Gate-Source Voltage   | $\pm 20$    | V                |
| $I_D$          | Drain Current – Continuous (Note 1)                           | 34          | A                |
|                | Drain Current – Pulsed  | 100         |                  |
| $P_D$          | Maximum Power Dissipation @ $T_C = 25^\circ\text{C}$ (Note 1) | 70          | W                |
|                | @ $T_A = 25^\circ\text{C}$ (Note 1a)                          | 3.2         |                  |
|                | @ $T_A = 25^\circ\text{C}$ (Note 1b)                          | 1.3         |                  |
| $T_J, T_{STG}$ | Operating and Storage Junction Temperature Range              | -55 to +150 | $^\circ\text{C}$ |

### Thermal Characteristics

|                 |   |     |                    |
|-----------------|---|-----|--------------------|
| $R_{\theta JC}$ | Thermal Resistance, Junction-to-Case (Note 1)     | 1.8 | $^\circ\text{C/W}$ |
| $R_{\theta JA}$ | Thermal Resistance, Junction-to-Ambient (Note 1b) | 96  | $^\circ\text{C/W}$ |

### Package Marking and Ordering Information

| Device Marking | Device  | Reel Size | Tape width | Quantity   |
|----------------|---------|-----------|------------|------------|
| FDD3670        | FDD3670 | 13"       | 16mm       | 2500 units |

## Electrical Characteristics

$T_A = 25^\circ\text{C}$  unless otherwise noted

| Symbol | Parameter | Test Conditions | Min | Typ | Max | Units |
|--------|-----------|-----------------|-----|-----|-----|-------|
|--------|-----------|-----------------|-----|-----|-----|-------|

### Off Characteristics

|                                      |   |   |     |    |      |                      |
|--------------------------------------|---|---|-----|----|------|----------------------|
| $BV_{DSS}$                           | Drain–Source Breakdown Voltage            | $V_{GS} = 0\text{ V}, I_D = 250\ \mu\text{A}$               | 100 |    |      | V                    |
| $\frac{\Delta BV_{DSS}}{\Delta T_J}$ | Breakdown Voltage Temperature Coefficient | $I_D = 250\ \mu\text{A}$ , Referenced to $25^\circ\text{C}$ |     | 92 |      | mV/ $^\circ\text{C}$ |
| $I_{DSS}$                            | Zero Gate Voltage Drain Current           | $V_{DS} = 80\text{ V}, V_{GS} = 0\text{ V}$                 |     |    | 25   | $\mu\text{A}$        |
| $I_{GSSF}$                           | Gate–Body Leakage, Forward                | $V_{GS} = 20\text{ V}, V_{DS} = 0\text{ V}$                 |     |    | 100  | nA                   |
| $I_{GSSR}$                           | Gate–Body Leakage, Reverse                | $V_{GS} = -20\text{ V}, V_{DS} = 0\text{ V}$                |     |    | -100 | nA                   |

### On Characteristics (Note 2)

|  |  |  |    |                |                |                      |
|--|--|--|----|----------------|----------------|----------------------|
| $V_{GS(th)}$                           | Gate Threshold Voltage                         | $V_{DS} = V_{GS}, I_D = 250\ \mu\text{A}$  | 2  | 2.5            | 4              | V                    |
| $\frac{\Delta V_{GS(th)}}{\Delta T_J}$ | Gate Threshold Voltage Temperature Coefficient | $I_D = 250\ \mu\text{A}$ , Referenced to $25^\circ\text{C}$  |    | -7.2           |                | mV/ $^\circ\text{C}$ |
| $R_{DS(on)}$                           | Static Drain–Source On–Resistance              | $V_{GS} = 10\text{ V}, I_D = 7.3\text{ A}$<br>$V_{GS} = 10\text{ V}, I_D = 7.3\text{ A}$<br>$T_J = 125^\circ\text{C}$<br>$V_{GS} = 6\text{ V}, I_D = 7.0\text{ A}$ |    | 0.022<br>0.039 | 0.030<br>0.060 | $\Omega$             |
| $I_{D(on)}$                            | On–State Drain Current                         | $V_{GS} = 10\text{ V}, V_{DS} = 5\text{ V}$  | 25 |                |                | A                    |
| $g_{FS}$                               | Forward Transconductance                       | $V_{DS} = 5\text{ V}, I_D = 7.3\text{ A}$  |    | 31             |                | S                    |

### Dynamic Characteristics

|            |                              |   |  |      |  |    |
|------------|------------------------------|---|--|------|--|----|
| $C_{iss}$  | Input Capacitance            | $V_{DS} = 50\text{ V}, V_{GS} = 0\text{ V}$ |  | 2490 |  | pF |
| $C_{oss}$  | Output Capacitance           | $f = 1.0\text{ MHz}$                        |  | 265  |  | pF |
| $C_{riss}$ | Reverse Transfer Capacitance |   |  | 80   |  | pF |

### Switching Characteristics (Note 2)

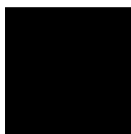
|              |                     |   |  |    |    |    |
|--------------|---------------------|---|--|----|----|----|
| $t_{d(on)}$  | Turn–On Delay Time  | $V_{DD} = 50\text{ V}, I_D = 1\text{ A}$    |  | 16 | 26 | ns |
| $t_r$        | Turn–On Rise Time   | $V_{GS} = 10\text{ V}, R_{GEN} = 6\ \Omega$ |  | 10 | 18 | ns |
| $t_{d(off)}$ | Turn–Off Delay Time |   |  | 56 | 84 | ns |
| $t_f$        | Turn–Off Fall Time  |   |  | 25 | 40 | ns |
| $Q_g$        | Total Gate Charge   | $V_{DS} = 50\text{ V}, I_D = 25\text{ A}$   |  | 57 | 80 | nC |
| $Q_{gs}$     | Gate–Source Charge  | $V_{GS} = 10\text{ V}$                      |  | 11 |    | nC |
| $Q_{gd}$     | Gate–Drain Charge   |   |  | 15 |    | nC |

### Drain–Source Diode Characteristics and Maximum Ratings

|          |   |  |  |  |     |   |
|----------|---|--|--|--|-----|---|
| $I_S$    | Maximum Continuous Drain–Source Diode Forward Current |  |  |  | 2.7 | A |
| $V_{SD}$ | Drain–Source Diode Forward Voltage                    | $V_{GS} = 0\text{ V}, I_S = 2.7\text{ A}$ (Note 2) |  |  | 1.2 | V |

#### Notes:

- $R_{\theta JA}$  is the sum of the junction-to-case and case-to-ambient thermal resistance where the case thermal reference is defined as the solder mounting surface of the drain pins.  $R_{\theta JC}$  is guaranteed by design while  $R_{\theta CA}$  is determined by the user's board design.



- a)  $R_{\theta JA} = 40^\circ\text{C/W}$  when mounted on a  $1\text{in}^2$  pad of 2oz copper.



- b)  $R_{\theta JA} = 96^\circ\text{C/W}$  on a minimum mounting pad.

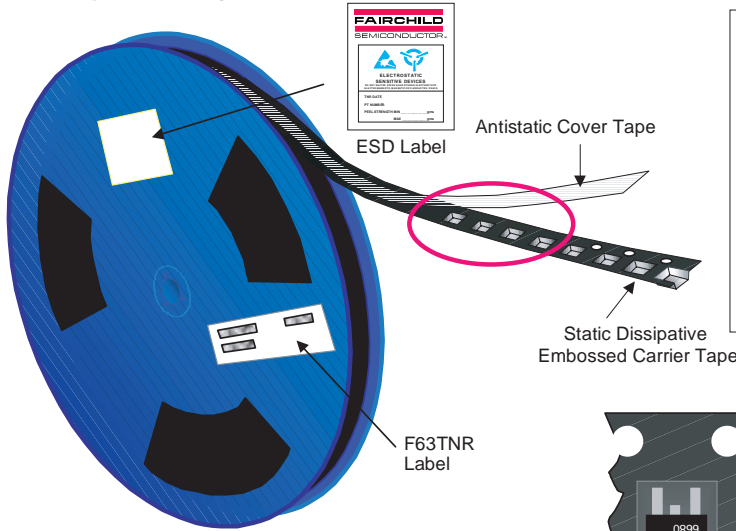
Scale 1 : 1 on letter size paper

- Pulse Test: Pulse Width <  $300\ \mu\text{s}$ , Duty Cycle < 2.0%

# TO-252 Tape and Reel Data and Package Dimensions



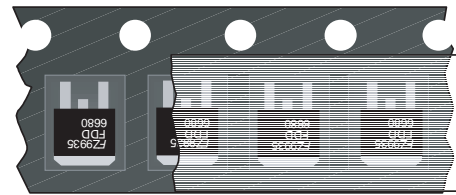
## D-PAK (TO-252) Packaging Configuration: Figure 1.0



### Packaging Description:

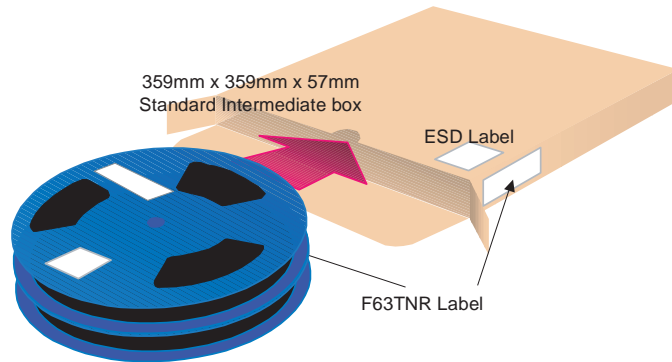
TO-252 parts are shipped in tape. The carrier tape is made from a dissipative (carbon filled) polycarbonate resin. The cover tape is a multilayer film (Heat Activated Adhesive in nature) primarily composed of polyester film, adhesive layer, sealant, and anti-static sprayed agent. These reeled parts in standard option are shipped with 2500 units per 13" or 330mm diameter reel. The reels are dark blue in color and is made of polystyrene plastic (anti-static coated). This and some other options are further described in the Packaging Information table.

These full reels are individually barcode labeled and placed inside a standard intermediate box (illustrated in figure 1.0) made of recyclable corrugated brown paper. One box contains two reels maximum. And these boxes are placed inside a barcode labeled shipping box which comes in different sizes depending on the number of parts shipped.

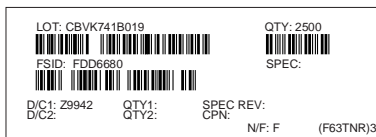


D-PAK (TO-252) Unit Orientation

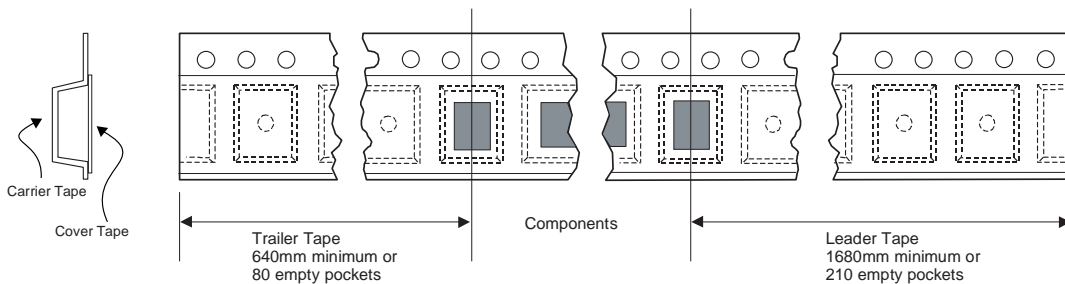
| D-PAK (TO-252) Packaging Information |                         |
|--------------------------------------|-------------------------|
| Packaging Option                     | Standard (no flow code) |
| Packaging type                       | TNR                     |
| Qty per Reel/Tube/Bag                | 2,500                   |
| Reel Size                            | 13" Dia                 |
| Box Dimension (mm)                   | 359x359x57              |
| Max qty per Box                      | 5,000                   |
| Weight per unit (gm)                 | 0.300                   |
| Weight per Reel(kg)                  | 1.200                   |
| Note/Comments                        |                         |



### F63TNR Label sample

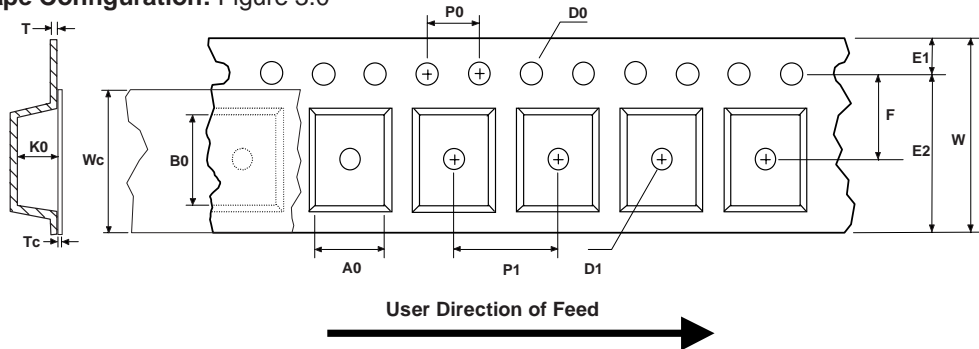


## TO-252 (D-PAK) Tape Leader and Trailer Configuration: Figure 2.0



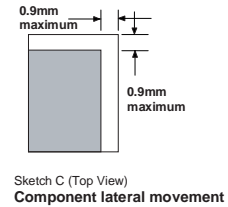
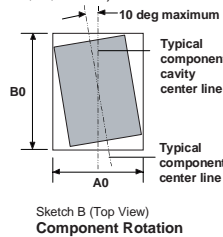
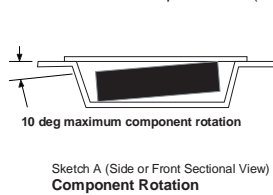
# TO-252 Tape and Reel Data and Package Dimensions

## D-PAK (TO-252) Embossed Carrier Tape Configuration: Figure 3.0

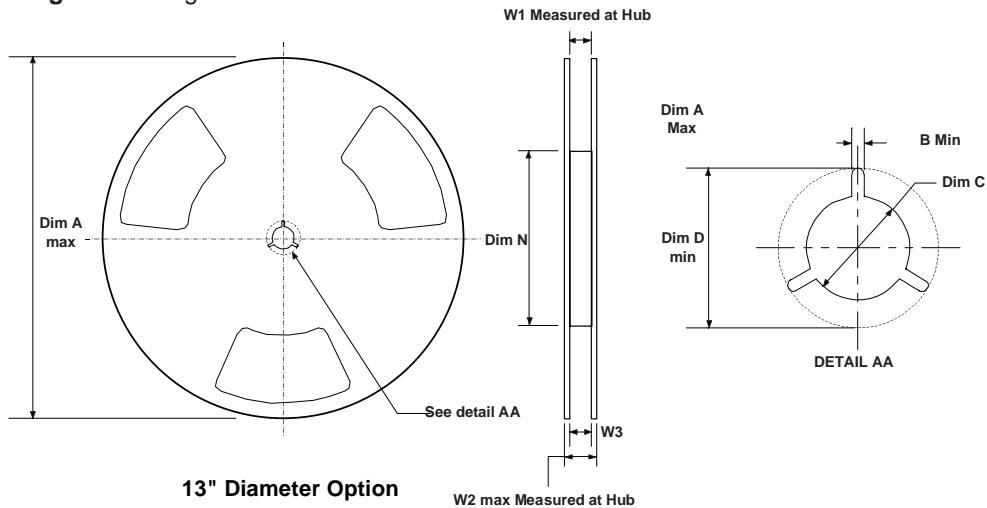


| Dimensions are in millimeter |                 |                  |                |                 |                |                 |              |                 |               |               |                 |                 |                |                 |
|------------------------------|-----------------|------------------|----------------|-----------------|----------------|-----------------|--------------|-----------------|---------------|---------------|-----------------|-----------------|----------------|-----------------|
| Pkg type                     | A0              | B0               | W              | D0              | D1             | E1              | E2           | F               | P1            | P0            | K0              | T               | Wc             | Tc              |
| TO252 (24mm)                 | 6.90<br>+/-0.10 | 10.50<br>+/-0.10 | 16.0<br>+/-0.3 | 1.55<br>+/-0.05 | 1.5<br>+/-0.10 | 1.75<br>+/-0.10 | 14.25<br>min | 7.50<br>+/-0.10 | 8.0<br>+/-0.1 | 4.0<br>+/-0.1 | 2.65<br>+/-0.10 | 0.30<br>+/-0.05 | 13.0<br>+/-0.3 | 0.06<br>+/-0.02 |

Notes: A0, B0, and K0 dimensions are determined with respect to the EIA/Jedec RS-481 rotational and lateral movement requirements (see sketches A, B, and C).



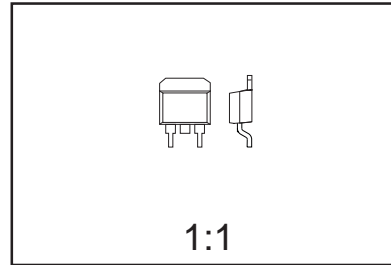
## D-PAK (TO-252) Reel Configuration: Figure 4.0



| Dimensions are in inches and millimeters |             |              |              |                                   |               |             |                                  |               |                              |
|--|-------------|--------------|--------------|-----------------------------------|---------------|-------------|----------------------------------|---------------|------------------------------|
| Tape Size                                | Reel Option | Dim A        | Dim B        | Dim C                             | Dim D         | Dim N       | Dim W1                           | Dim W2        | Dim W3 (LSL-USL)             |
| 164mm                                    | 13" Dia     | 13.00<br>330 | 0.059<br>1.5 | 512 +0.020/-0.008<br>13 +0.5/-0.2 | 0.795<br>20.2 | 4.00<br>100 | 0.646 +0.078/-0.000<br>16.4 +2/0 | 0.882<br>22.4 | 0.626 - 0.764<br>15.9 - 19.4 |

# TO-252 Tape and Reel Data and Package Dimensions

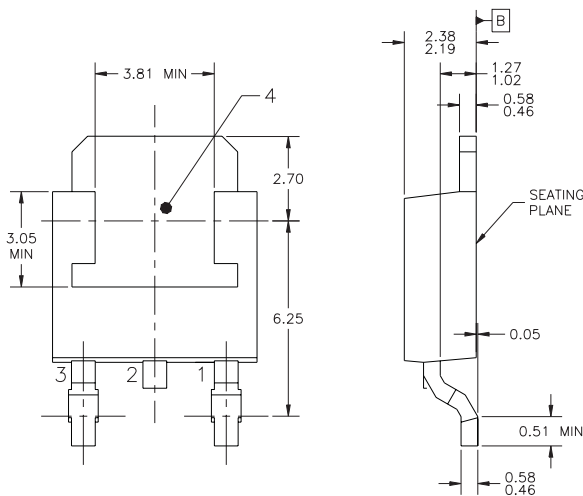
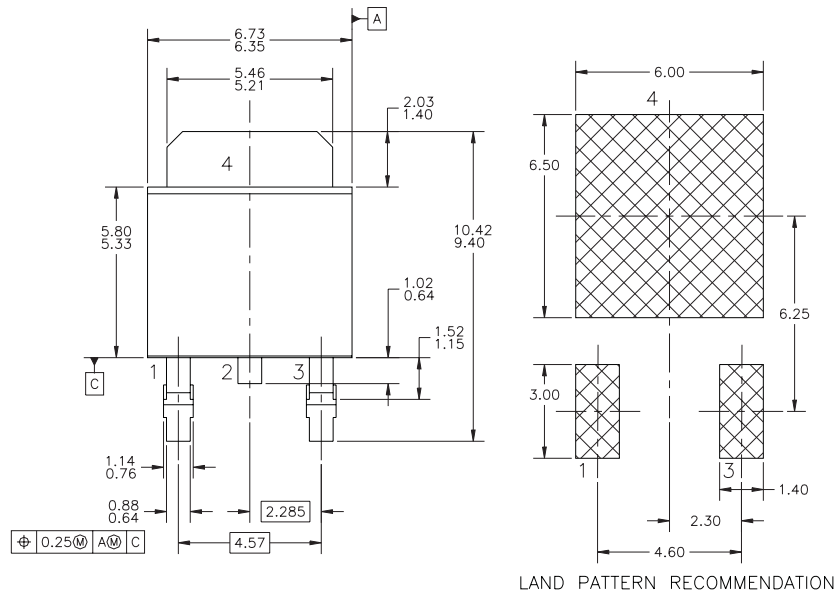
## TO-252 (FS PKG Code AA)



Scale 1:1 on letter size paper

Dimensions shown below are in:  
inches [millimeters]

Part Weight per unit (gram): 0.300



NOTES: UNLESS OTHERWISE SPECIFIED

A) ALL DIMENSIONS ARE IN MILLIMETERS.

B) THIS PACKAGE CONFORMS TO JEDEC, TO-252, ISSUE B, VARIATION AB, ITEM 10.268, DATED SEPTEMBER 1988.

## TRADEMARKS

The following are registered and unregistered trademarks Fairchild Semiconductor owns or is authorized to use and is not intended to be an exhaustive list of all such trademarks.

|                      |               |            |
|----------------------|---------------|------------|
| ACEx™                | ISOPLANAR™    | SyncFET™   |
| CoolFET™             | MICROWIRE™    | TinyLogic™ |
| CROSSVOLT™           | POP™          | UHC™       |
| E <sup>2</sup> CMOS™ | PowerTrench®  | VCX™       |
| FACT™                | QFET™         |            |
| FACT Quiet Series™   | QS™           |            |
| FAST®                | Quiet Series™ |            |
| FASTr™               | SuperSOT™-3   |            |
| GTO™                 | SuperSOT™-6   |            |
| HiSeC™               | SuperSOT™-8   |            |

## DISCLAIMER

FAIRCHILD SEMICONDUCTOR RESERVES THE RIGHT TO MAKE CHANGES WITHOUT FURTHER NOTICE TO ANY PRODUCTS HEREIN TO IMPROVE RELIABILITY, FUNCTION OR DESIGN. FAIRCHILD DOES NOT ASSUME ANY LIABILITY ARISING OUT OF THE APPLICATION OR USE OF ANY PRODUCT OR CIRCUIT DESCRIBED HEREIN; NEITHER DOES IT CONVEY ANY LICENSE UNDER ITS PATENT RIGHTS, NOR THE RIGHTS OF OTHERS.

## LIFE SUPPORT POLICY

FAIRCHILD'S PRODUCTS ARE NOT AUTHORIZED FOR USE AS CRITICAL COMPONENTS IN LIFE SUPPORT DEVICES OR SYSTEMS WITHOUT THE EXPRESS WRITTEN APPROVAL OF FAIRCHILD SEMICONDUCTOR CORPORATION. As used herein:

1. Life support devices or systems are devices or systems which, (a) are intended for surgical implant into the body, or (b) support or sustain life, or (c) whose failure to perform when properly used in accordance with instructions for use provided in the labeling, can be reasonably expected to result in significant injury to the user.
2. A critical component is any component of a life support device or system whose failure to perform can be reasonably expected to cause the failure of the life support device or system, or to affect its safety or effectiveness.

## PRODUCT STATUS DEFINITIONS

### Definition of Terms

| Datasheet Identification | Product Status         | Definition  |
|--------------------------|------------------------|---|
| Advance Information      | Formative or In Design | This datasheet contains the design specifications for product development. Specifications may change in any manner without notice.  |
| Preliminary              | First Production       | This datasheet contains preliminary data, and supplementary data will be published at a later date. Fairchild Semiconductor reserves the right to make changes at any time without notice in order to improve design. |
| No Identification Needed | Full Production        | This datasheet contains final specifications. Fairchild Semiconductor reserves the right to make changes at any time without notice in order to improve design.   |
| Obsolete                 | Not In Production      | This datasheet contains specifications on a product that has been discontinued by Fairchild semiconductor. The datasheet is printed for reference information only.   |