

# FM811/812

## Microprocessor Reset Circuits

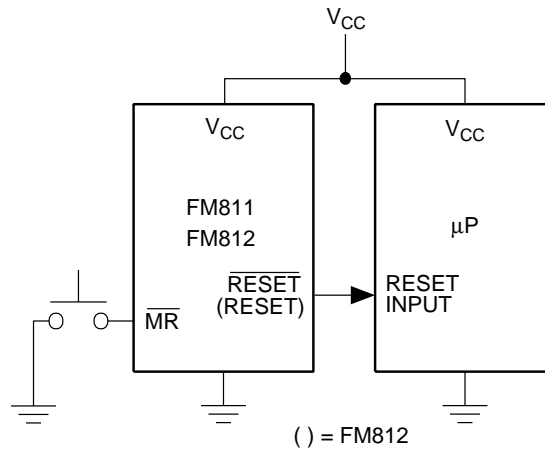
### Features

- Feature
- Precision Voltage Monitor for 3V, 3.3V or 5V Power Supplies
- 6 $\mu$ A Supply Current
- 140ms Minimum Reset Pulse Width
- $\overline{\text{RESET}}$  Remains Valid with  $V_{\text{CC}}$  as Low as 1.4V
- Active Low Manual Reset Input
- No External Components
- 4-Pin SOT-143 Package

### Applications

- Critical Microprocessor Power Monitoring
- Portable Equipment
- Intelligent Instruments
- Computers & Printers
- Controllers

### Typical Applications



### Description

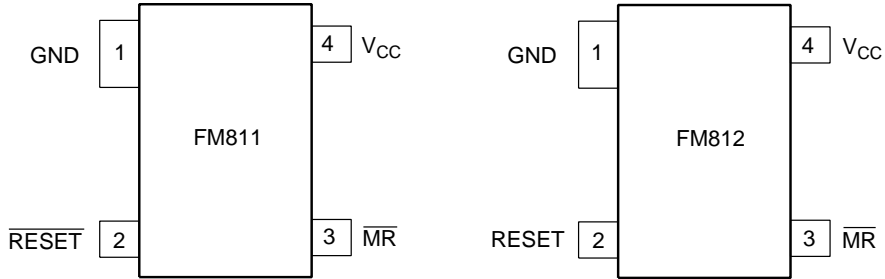
The FM811/FM812 is a low cost microprocessor supervisory circuit that asserts a reset if the power supply drops below a designated threshold or the manual reset pin is forced low. Several different reset thresholds are available to accommodate systems operating at 3V, 3.3V or 5V.

The FM811 has an active low  $\overline{\text{RESET}}$  output, while the FM812 offers an active high RESET output. The reset output is guaranteed to remain asserted for a minimum of 140ms after  $V_{\text{CC}}$  has risen above the designated reset threshold. The FM811/FM812 is available in a 4-pin SOT-143.

Preliminary Information

## Pin Assignments

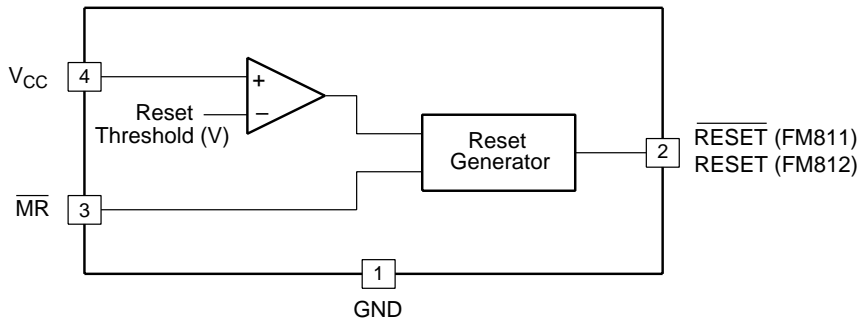
Top View



## Pin Definitions

Pin Name	Pin Number		Description
	FM811	FM812	
GND	1	1	Ground Pin
$\overline{\text{RESET}}$	2	N/A	$\overline{\text{RESET}}$ goes low if $V_{CC}$ falls below the reset threshold and remains asserted for one reset time-out period (140ms min.) after $V_{CC}$ exceeds the reset threshold.
RESET	N/A	2	RESET goes high if $V_{CC}$ falls below the reset threshold and remains asserted for one reset time-out period (140ms min.) after $V_{CC}$ exceeds the reset threshold.
$\overline{\text{MR}}$	3	3	Manual reset input. Shorting this pin to GND forces a reset. The reset will remain asserted as long as $\overline{\text{MR}}$ is held low and for one reset time-out period (140ms min.) after $\overline{\text{MR}}$ goes high. This input cannot be driven by a CMOS or TTL logic. Push-button switch is recommended to be used with this pin. Float if unused.
$V_{CC}$	4	4	Power supply input, 3V, 3.3V, or 5V

## Internal Block Diagram



Preliminary Information

## Absolute Maximum Ratings

Parameter	Symbol	Ratings	Units
Terminal Voltage	$V_{CC}$	-0.3 to 6.0	V
	$\overline{MR}$	-0.3 to ( $V_{CC} + 0.3$ )	V
Input Current	$V_{CC}, \overline{MR}$	20	mA
Output Current	RESET, $\overline{RESET}$	20	mA
Rate of Rise	$V_{CC}$	100	V/ $\mu$ s
Operating Temperature Range	$T_A$	-40 to +85	$^{\circ}$ C
Storage Temperature Range		-65 to +150	$^{\circ}$ C
Lead Temperature Range		300	$^{\circ}$ C
Power Dissipation ( $T_A = +70^{\circ}$ C)		320	mW

Stresses above those listed under ABSOLUTE MAXIMUM RATINGS may cause permanent device failure. Functionality at or above these limits is not implied. Exposure to absolute maximum ratings for extended periods may affect device reliability. Operating ranges define those limits between which the functionality of the device is guaranteed.

## Electrical Characteristics

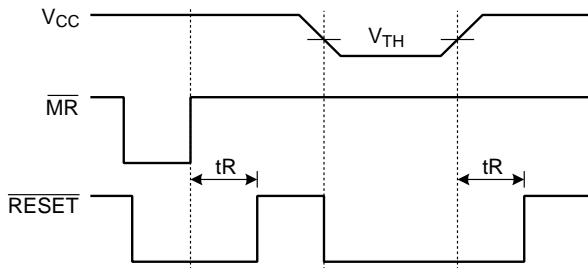
$V_{CC} = 5V$  for FM81\_L/M/J,  $V_{CC} = 3.3V$  for FM81\_S/T,  $V_{CC} = 3V$  for FM81\_R,  $T_A =$  Operating Temperature Range, unless otherwise noted.

Parameter	Conditions	Min.	Typ.	Max.	Units
Operating Voltage Range	$T_A = 0^{\circ}$ C to $70^{\circ}$ C $T_A = -40^{\circ}$ C to $85^{\circ}$ C	1.4 1.6		5.5 5.5	V
Supply Current, $I_{CC}$	FM811L/M/J, FM812L/M/J $V_{CC} < 3.6V$ , FM811R/S/T, FM812R/S/T		9 6	15 10	$\mu$ A
Reset Voltage Threshold, $V_{TH}$	FM811L, FM812L FM811M, FM812M FM811J, FM812J FM811T, FM812T FM811S, FM812S FM811R, FM812R	4.40 4.18 3.90 2.97 2.79 2.49	4.63 4.38 4.00 3.08 2.93 2.63	4.86 4.52 4.18 3.19 3.00 2.70	V
Reset Time-out Period, $t_R$		140	240	560	ms
$\overline{RESET}$ Output Voltage, $V_{OH}$	$I_{SOURCE} = 800\mu$ A, FM811L/M/J $I_{SOURCE} = 500\mu$ A, FM811R/S/T	$V_{CC} - 1.5$ $0.8 \times V_{CC}$			V
$\overline{RESET}$ Output Voltage, $V_{OL}$	$V_{CC} = V_{TH}$ Min., $I_{SINK} = 3.2mA$ , FM811L/M/J $V_{CC} = V_{TH}$ Min., $I_{SINK} = 1.2mA$ , FM811R/S/T $V_{CC} > 1.4V$ , $I_{SINK} = 50\mu$ A, $T_A = 0^{\circ}$ C to $70^{\circ}$ C $V_{CC} > 1.6V$ , $I_{SINK} = 50\mu$ A, $T_A = -40^{\circ}$ C to $85^{\circ}$ C			0.4 0.3 0.3 0.3	V
RESET Output Voltage, $V_{OH}$	$1.8V < V_{CC} < V_{TH}$ Min., $I_{SOURCE} = 150\mu$ A	$0.8 \times V_{CC}$			V
RESET Output Voltage, $V_{OL}$	$I_{SINK} = 3.2mA$ , FM810L/M/J $I_{SINK} = 1.2mA$ , FM810R/S/T			0.4 0.35	V
$\overline{MR}$ Minimum Pulse Width		10			$\mu$ s
$\overline{MR}$ to Reset Delay			0.5		$\mu$ s
$\overline{MR}$ Input Threshold, $V_{IH}$	$V_{CC} > V_{TH}$ Max., FM81_L/M/J FM81_R/S/T	2.3 $0.7 \times V_{CC}$			V
$\overline{MR}$ Input Threshold, $V_{IL}$	$V_{CC} > V_{TH}$ Max., FM81_L/M/J FM81_R/S/T			0.8 $0.25 \times V_{CC}$	
$\overline{MR}$ Pull-Up Resistance		10	20	30	k $\Omega$
$\overline{MR}$ Glitch Immunity			100		ns

## Circuit Description

### Microprocessor Reset

The  $\overline{\text{RESET}}$  pin is asserted whenever  $V_{CC}$  falls below the reset threshold voltage or if  $\overline{\text{MR}}$  (manual reset) is forced low. The reset pin remains asserted for a period of 40ms after  $V_{CC}$  has risen above the reset threshold voltage or  $\overline{\text{MR}}$  has returned high. The reset function ensures the microprocessor is properly reset and powers up into a known condition after a power failure.  $\overline{\text{RESET}}$  will remain valid with  $V_{CC}$  as low as 1.4V.



### $V_{CC}$ Transients

The FM811/ FM812 are relatively immune to negative-going  $V_{CC}$  glitches below the reset threshold. Typically, a negative-going transient 125mV below the reset threshold with a duration of 50ms (25ms for FM81\_R/S/T) or less will not cause an unwanted reset.

### Manual Reset Function

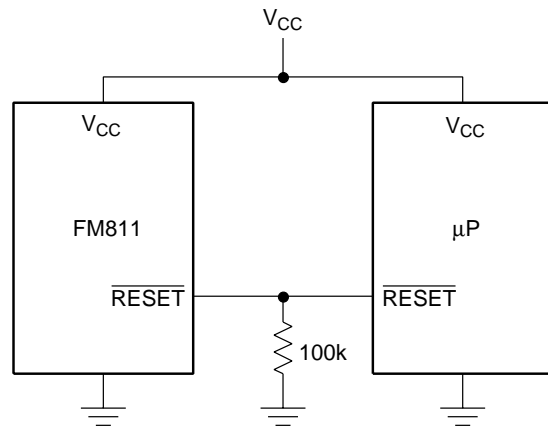
Momentarily connecting the Manual Reset input pin ( $\overline{\text{MR}}$ ) to GND forces a reset. Typically a Push-button switch is used in most of the applications to force a manual reset. See Typical Applications diagram. The reset will remain asserted as long as  $\overline{\text{MR}}$  is held low and for one reset time-out period (140ms min.) after  $\overline{\text{MR}}$  goes high. Note that this input cannot be driven by a CMOS or TTL logic. This pin should be left floating if manual reset feature is unused.

### Interfacing to Bidirectional Reset Pins

The FM811/ FM812 can interface with  $\mu\text{Ps}$  with bidirectional reset pins by connecting a 4.7k $\Omega$  resistor in series with the FM811/ FM812 output and the  $\mu\text{P}$  reset pin.

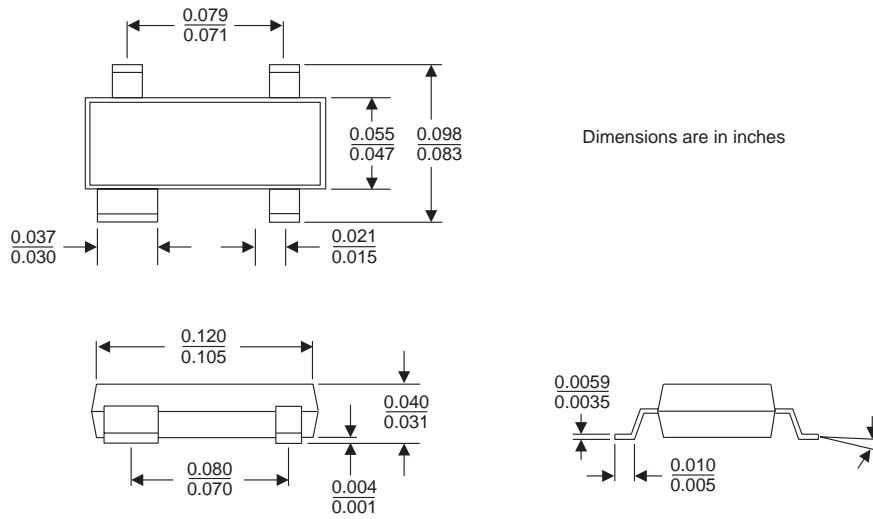
### $\overline{\text{RESET}}$ Valid to 0V

A resistor can be added from the  $\overline{\text{RESET}}$  pin to ground to ensure the  $\overline{\text{RESET}}$  output remains low with  $V_{CC}$  down to 0V. A 100k $\Omega$  resistor connected from  $\overline{\text{RESET}}$  to ground is recommended. The size of the resistor should be large enough to not load the  $\overline{\text{RESET}}$  output and small enough to pull-down any stray leakage currents.

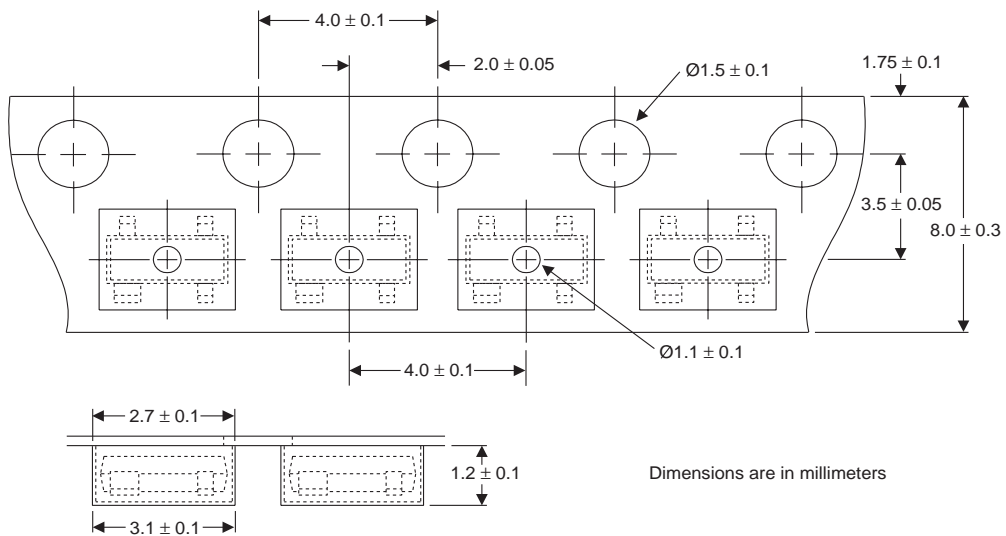


## Packaging Information

### 4-Pin SOT-143



### Tape and Reel Information



Preliminary Information

## Ordering Information

Part Number	Top Marking*	RESET Threshold (V)	Output Type	Package	Packing Method
FM811LUX	KLYY	4.63	Push-Pull, active LOW	4-Pin, SOT143	3000 units in T&R
FM811MUX	KMY Y	4.38	Push-Pull, active LOW	4-Pin, SOT143	3000 units in T&R
FM811JUX	KJYY	4.00	Push-Pull, active LOW	4-Pin, SOT143	3000 units in T&R
FM811TUX	KTY Y	3.08	Push-Pull, active LOW	4-Pin, SOT143	3000 units in T&R
FM811SUX	KSYY	2.93	Push-Pull, active LOW	4-Pin, SOT143	3000 units in T&R
FM811RUX	KRY Y	2.63	Push-Pull, active LOW	4-Pin, SOT143	3000 units in T&R
FM812LUX	LLYY	4.63	Push-Pull, active HIGH	4-Pin, SOT143	3000 units in T&R
FM812MUX	LMYY	4.38	Push-Pull, active HIGH	4-Pin, SOT143	3000 units in T&R
FM812JUX	LJYY	4.00	Push-Pull, active HIGH	4-Pin, SOT143	3000 units in T&R
FM812TUX	LTY Y	3.08	Push-Pull, active HIGH	4-Pin, SOT143	3000 units in T&R
FM812SUX	LSYY	2.93	Push-Pull, active HIGH	4-Pin, SOT143	3000 units in T&R
FM812RUX	LRYY	2.63	Push-Pull, active HIGH	4-Pin, SOT143	3000 units in T&R

\* YY = Lot Code

Preliminary Information

### DISCLAIMER

FAIRCHILD SEMICONDUCTOR RESERVES THE RIGHT TO MAKE CHANGES WITHOUT FURTHER NOTICE TO ANY PRODUCTS HEREIN TO IMPROVE RELIABILITY, FUNCTION OR DESIGN. FAIRCHILD DOES NOT ASSUME ANY LIABILITY ARISING OUT OF THE APPLICATION OR USE OF ANY PRODUCT OR CIRCUIT DESCRIBED HEREIN; NEITHER DOES IT CONVEY ANY LICENSE UNDER ITS PATENT RIGHTS, NOR THE RIGHTS OF OTHERS.

### LIFE SUPPORT POLICY

FAIRCHILD'S PRODUCTS ARE NOT AUTHORIZED FOR USE AS CRITICAL COMPONENTS IN LIFE SUPPORT DEVICES OR SYSTEMS WITHOUT THE EXPRESS WRITTEN APPROVAL OF THE PRESIDENT OF FAIRCHILD SEMICONDUCTOR CORPORATION. As used herein:

1. Life support devices or systems are devices or systems which, (a) are intended for surgical implant into the body, or (b) support or sustain life, and (c) whose failure to perform when properly used in accordance with instructions for use provided in the labeling, can be reasonably expected to result in a significant injury of the user.
2. A critical component in any component of a life support device or system whose failure to perform can be reasonably expected to cause the failure of the life support device or system, or to affect its safety or effectiveness.