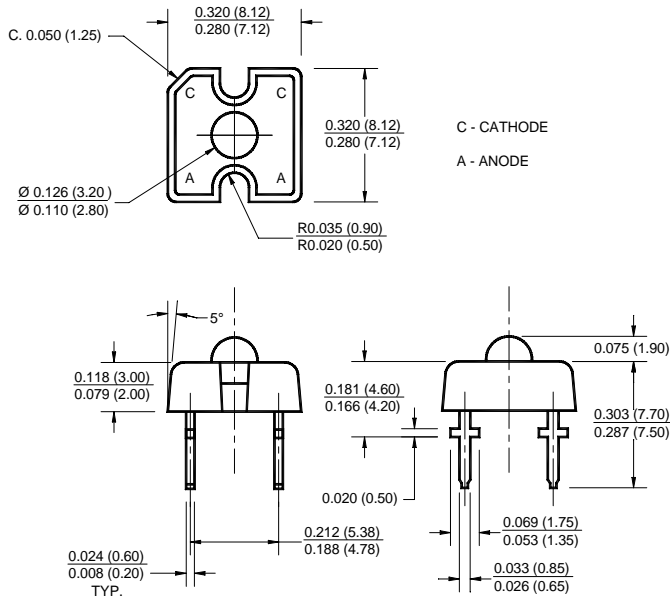


**WHITE** **QTLP321C-W**

## PACKAGE DIMENSIONS

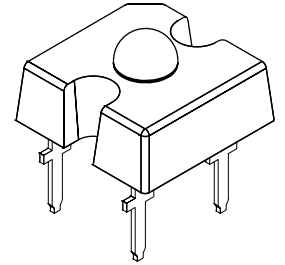


### NOTES:

1. Dimensions for all drawings are in inches (mm).
2. Lead spacing is measured where the leads emerge from the package.
3. Protruded resin under the flange is 0.059" (1.5 mm) max.
4. All tolerances are  $\pm 0.10$ " (0.25 mm) unless otherwise specified.

## FEATURES

- InGaN (Indium Gallium Nitride) technology
- Fluorescent light emission
- Reduced thermal resistance
- Tube packaging



## DESCRIPTION

This low profile, 4-pin LED provides a more uniform and evenly distributed illumination than existing LED designs. Its unique optical package enables designers to utilize fewer LEDs while achieving superior lighting performance.

## APPLICATIONS

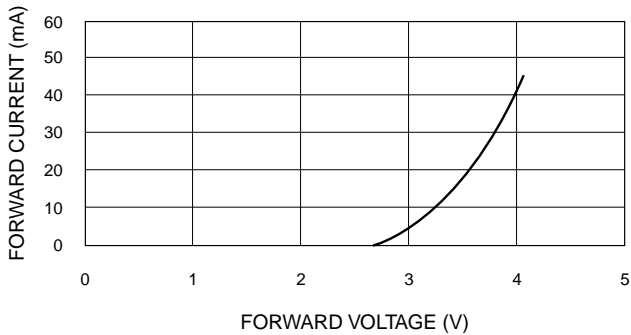
- Exterior automotive lighting
- Area displays
- Backlighting
- Message panels

<b>ABSOLUTE MAXIMUM RATINGS</b> ( $T_A = 25^\circ\text{C}$ unless otherwise specified)			
Parameter	Symbol	Rating	Unit
Operating Temperature	$T_{OPR}$	-25 to +80	$^\circ\text{C}$
Storage Temperature	$T_{STG}$	-30 to +100	$^\circ\text{C}$
Lead Soldering Time	$T_{SOL}$	260 for 5 sec	$^\circ\text{C}$
Continuous Forward Current	$I_F$	20	mA
Peak Forward Current ( $f = 100$ Hz, Duty Factor = 1/10)	$I_F$	100	mA
Reverse Voltage	$V_R$	5	V
Power Dissipation	$P_D$	120	mW

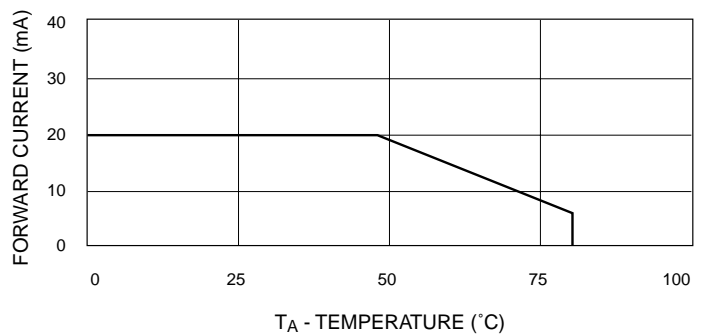
<b>WHITE</b>	<b>QTLP321C-W</b>
--------------	-------------------

<b>ELECTRICAL / OPTICAL CHARACTERISTICS</b> (T <sub>A</sub> =25°C)		
Part Number	QTLP321C-W	Condition
Flux - Φ <sub>V</sub> (mIm)		I <sub>F</sub> = 20 mA
Minimum	250	
Typical	500	
Chromatic Coordinates - Typical	X = 0.32, Y = 0.32	I <sub>F</sub> = 20 mA
Peak Wavelength (nm)	550	I <sub>F</sub> = 20 mA
Forward Voltage V <sub>F</sub> (V):		I <sub>F</sub> = 20 mA
Typical	3.5	
Maximum	4.0	
Viewing Angle (°)	50	I <sub>F</sub> = 20 mA

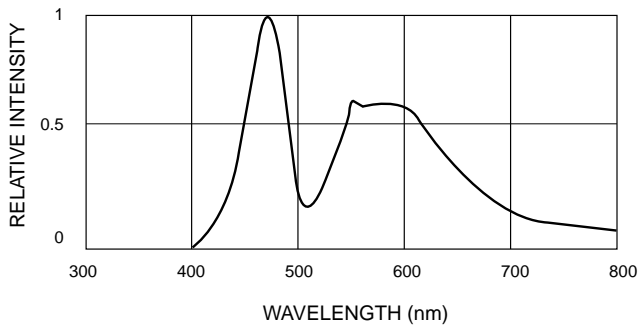
## TYPICAL PERFORMANCE CURVES



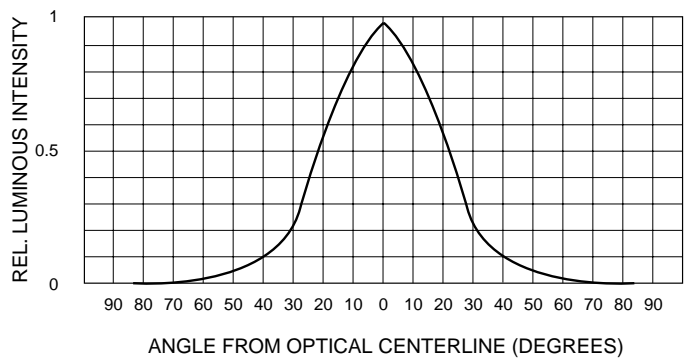
**Fig. 1 Forward Voltage vs. Forward Current**



**Fig. 2 Forward Current vs. Ambient Temperature**



**Fig. 3 Relative Intensity vs. Wavelength**



**Fig. 4 Rel. Luminous Intensity vs. Angular Displacement**

## DISCLAIMER

FAIRCHILD SEMICONDUCTOR RESERVES THE RIGHT TO MAKE CHANGES WITHOUT FURTHER NOTICE TO ANY PRODUCTS HEREIN TO IMPROVE RELIABILITY, FUNCTION OR DESIGN. FAIRCHILD DOES NOT ASSUME ANY LIABILITY ARISING OUT OF THE APPLICATION OR USE OF ANY PRODUCT OR CIRCUIT DESCRIBED HEREIN; NEITHER DOES IT CONVEY ANY LICENSE UNDER ITS PATENT RIGHTS, NOR THE RIGHTS OF OTHERS.

## LIFE SUPPORT POLICY

FAIRCHILD'S PRODUCTS ARE NOT AUTHORIZED FOR USE AS CRITICAL COMPONENTS IN LIFE SUPPORT DEVICES OR SYSTEMS WITHOUT THE EXPRESS WRITTEN APPROVAL OF THE PRESIDENT OF FAIRCHILD SEMICONDUCTOR CORPORATION. As used herein:

1. Life support devices or systems are devices or systems which, (a) are intended for surgical implant into the body, or (b) support or sustain life, and (c) whose failure to perform when properly used in accordance with instructions for use provided in the labeling, can be reasonably expected to result in a significant injury of the user.
2. A critical component in any component of a life support device or system whose failure to perform can be reasonably expected to cause the failure of the life support device or system, or to affect its safety or effectiveness.