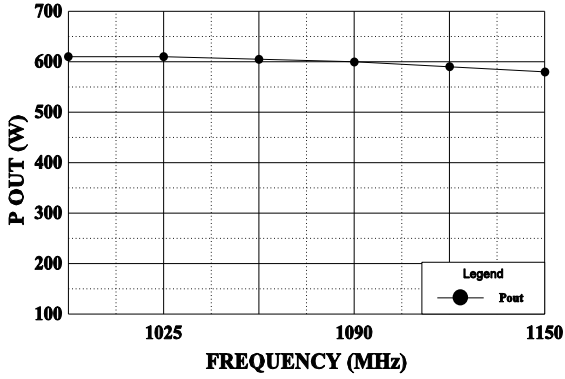


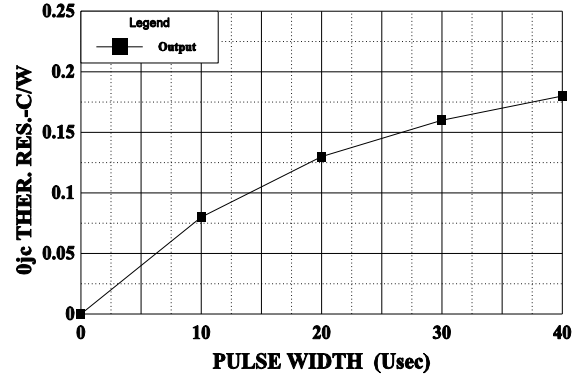
POWER OUPUT VS FREQUENCY

Vcc = 50 V, Pin = 150 W



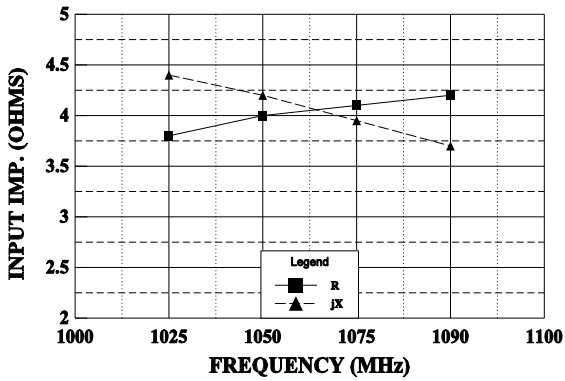
THERMAL RESISTANCE VS PULSE WIDTH

Vcc = 50 V, Tf = 30 C



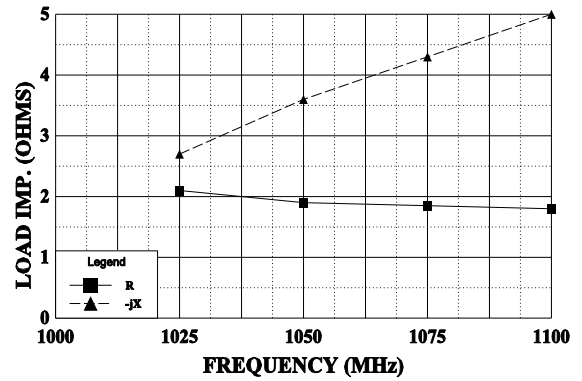
SERIES INPUT IMPEDANCE VS FREQUENCY

Vcc = 50 V, Po = 500 W



SERIES LOAD IMPEDANCE VS FREQUENCY

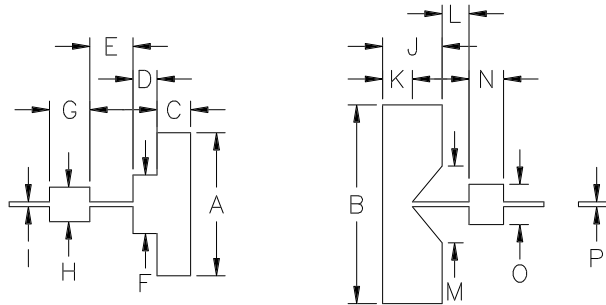
Vcc = 50 V, Po = 500 W



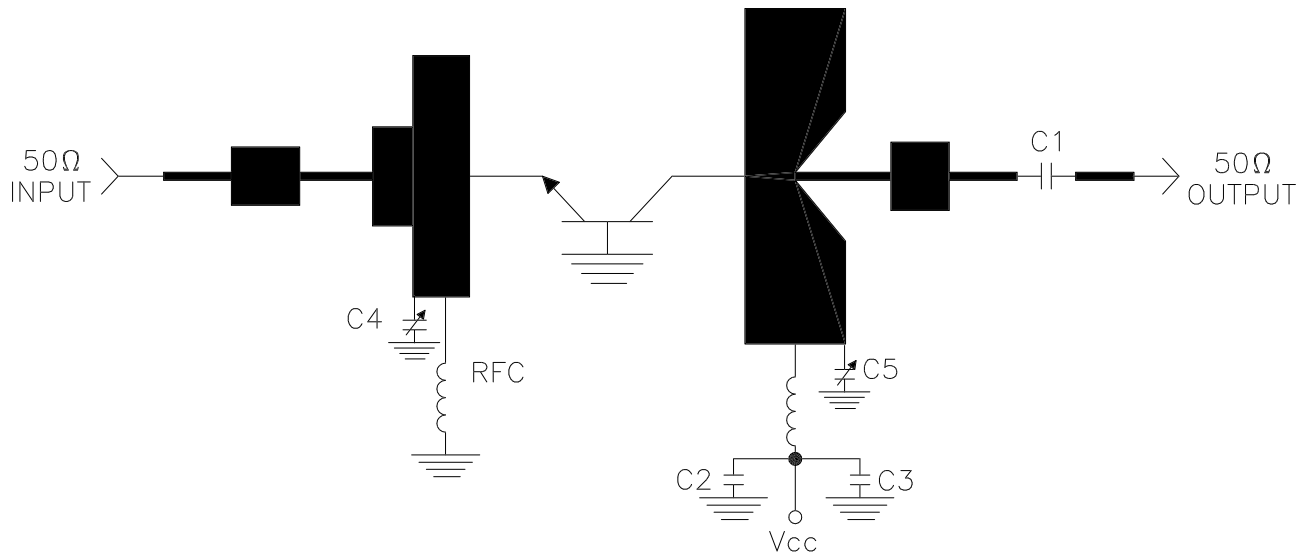
REVISIONS

ZONE	REV	DESCRIPTION	DATE	APPROVED
------	-----	-------------	------	----------

DIM	INCHES
A	.745
B	1.035
C	.175
D	.125
E	.225
F	.305
G	.210
H	.180
I	.025
J	.310
K	.155
L	.140
M	.400
N	.180
O	.210
P	.025



1030/1090 MHz TEST AMPLIFIER



— = Microstrip line on E10, t=0.025"
 C1, C2 = 82PF chip capacitor
 C3 = 500 MFD @ 75V capacitor
 C4,C5 = Johanson,.6-6 pf



CAGE OPJR2	DWG NO.	TPR 500A	REV A
	SCALE	1/1	SHEET