

C3110-PBR-01B**Digital-Interface XGA LCD Controller**

The gm3110 device is an all-in-one image processor targeted on LCD monitors with resolutions up to XGA (1024x768). The gm3110 leverages Genesis patented advanced image-processing technology as well a Genesis proprietary Ultra-Reliable DVI-compliant digital receiver to provide excellent image quality. In addition, an integrated microcontroller is provided. These features provide a very simple and cost-effective solution for high-end, digital interface LCD monitors.

FEATURES

- Zoom (from VGA) and shrink (from UXGA) scaling
- Integrated Ultra-Reliable DVI 1.0-compliant receiver
- High-Bandwidth Digital Content Protection (HDCP)
- Embedded microcontroller with parallel ROM interface
- On-chip versatile OSD engine
- All system clocks synthesized from a single external crystal
- Programmable gamma correction (CLUT)
- RealColor controls provide sRGB compliance
- PWM back light intensity control
- 5-Volt tolerant inputs
- Low EMI and power saving features
- **High-Quality Advanced Scaling**
 - Fully programmable zoom ratios
 - High-quality shrink capability from UXGA resolution
 - RealRecovery function provides full color recovery image for refresh rates higher than those supported by the LCD panel
 - Moire cancellation
- **Ultra-Reliable DVI Compliant Input Port**
 - Operating up to 165 MHz (up to UXGA 60Hz)
 - Direct connect to all DVI compliant digital transmitters
 - High-bandwidth Digital Content Protection (HDCP)
- **RealColor Technology**
 - Digital brightness and contrast controls
 - TV color controls including hue and saturation controls
 - Flesh-tone adjustment
 - Full color matrix allows end-users to experience the same colors as viewed on CRTs and other displays (e.g. sRGB compliance)
- **On-chip OSD Controller**
 - On-chip RAM for downloadable menus
 - 1, 2 and 4-bit per pixel character cells
 - Horizontal and vertical stretch of OSD menus
 - Blinking, transparency and blending
- **On-chip Microcontroller**
 - Requires no external microcontroller
 - External parallel ROM interface allows firmware customization with little additional cost
 - 21 general-purpose inputs/outputs (GPIOs) available for managing system devices (keypad, back light, NVRAM, etc)
 - Industry-standard firmware embedded on-chip, requires no external ROM (configuration settings stored in NVRAM)
- **Output Format**
 - Single / double wide up to XGA 75Hz output
 - Support for 8 or 6-bit panels (with high-quality dithering)
- **Highly Integrated System-on-a-Chip Reduces Component Count for *Highly Cost Effective Solution***
- ***Stand-alone* operation requires No external ROM and no firmware development for *Fast Time to Market***
- **Pin and register-compatible LCD controller family includes:**
 - gm5110/gm5120 Dual-Interface XGA/SXGA
 - gm3110/gm3120 Digital-Interface XGA/SXGA
 - gm2110/gm2120 Analog-Interface XGA/SXGA

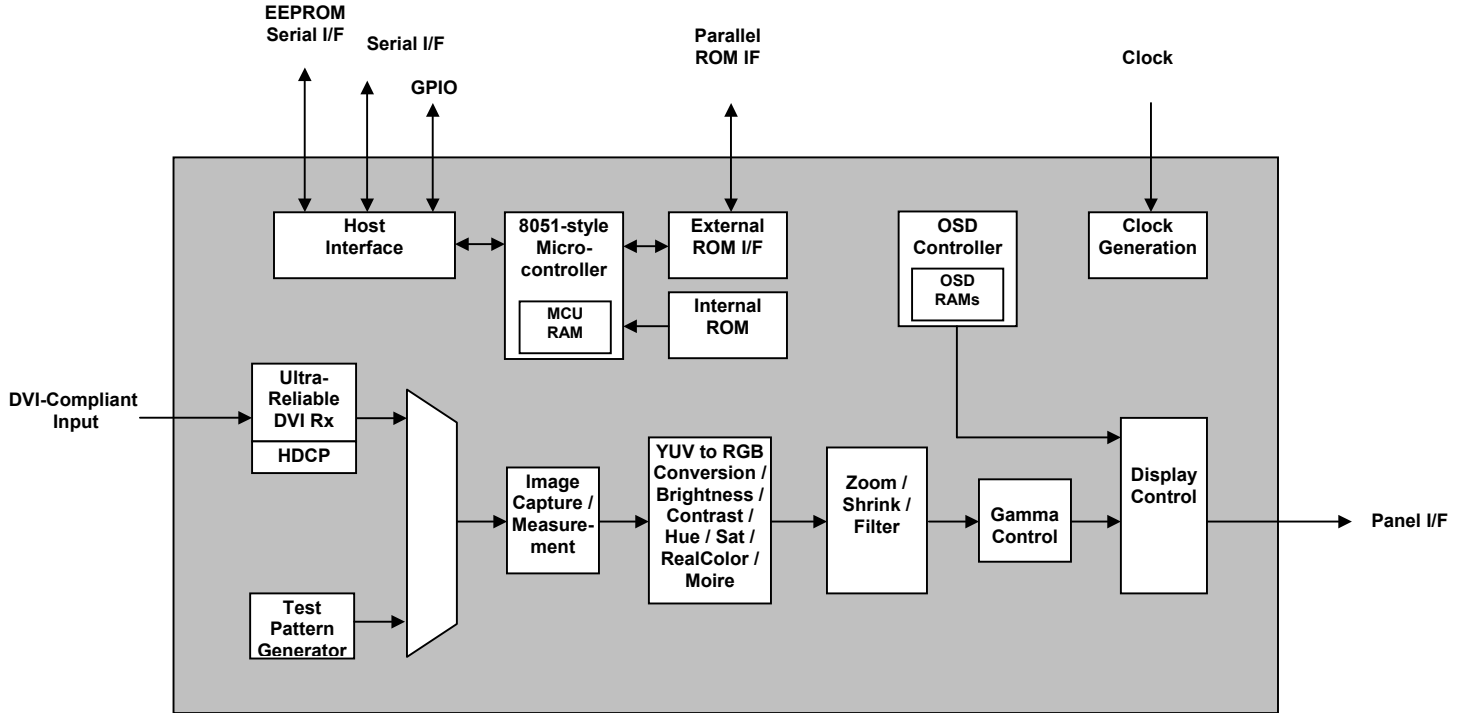
PACKAGE

- 208-pin PQFP

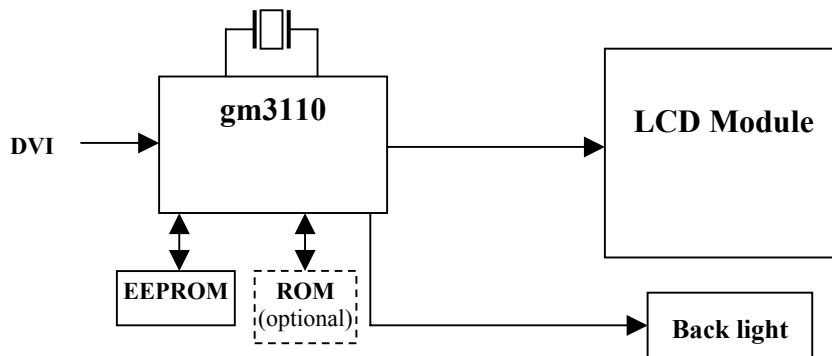
Genesis Microchip Inc.

2150 Gold Street, Alviso, P.O. Box 2150, CA USA 95002 Tel: (408) 262-6599 Fax: (408) 262-6365
165 Commerce Valley Dr. West, Thornhill, ON Canada L3T 7V8 Tel: (905) 889-5400 Fax: (905) 889-5422
1096, 12thA Main, Hal II Stage, Indira Nagar, Bangalore-560 008, India, Tel: (91)-80-526-3878, Fax: (91)-80-529-6245
4F, No. 24, Ln 123, Sec 6, Min-Chuan E. Rd., Taipei, Taiwan, ROC Tel: 886-2-2791-0118 Fax: 886-2-2791-0196
143-37 Hyundai Tower, #902, Samsung-dong, Kangnam-gu, Seoul, Korea 135-090 Tel 82-2-553-5693 Fax 82-2-552-4942
Rm2614-2618 Shenzhen Office Tower, 6007 Shennan Blvd, 518040, Shenzhen, Guangdong, P.R.C., Tel (0755)386-0101, Fax (0755)386-7874
2-9-5 Higashigotanda, Shinagawa-ku, Tokyo, 141-0022, Japan, Tel 81-3-5798-2758, Fax 81-3-5798-2759
www.genesis-microchip.com / info@genesis-microchip.com

gm3110 Functional Block Diagram



gm3110 LCD Monitor Design Example



Note: RealColor, Real Recovery and Ultra-Reliable DVI are trademarks of Genesis Microchip Inc.