

# GOG9xx15

## THREE PHASE AC-DC BRIDGE

Fuse protection  
Temperature sensors  
Snubber for SCR's protections  
Extractible stacks for easy field service

**LINE VOLTAGE UP TO 690V**  
**DC OUTPUT CURRENT 1500A**

**GOG94015 GOG95015 GOG96015**

Line to line voltage	<b>400 V</b>	<b>500 V</b>	<b>690 V</b>
----------------------	--------------	--------------	--------------

Characteristic		Conditions	Value	Value	Value
I <sub>DC</sub>	DC output current		1560 A	1560 A	1560 A
V <sub>INS</sub> (rms)	Insulation voltage		3000 V	3000 V	3000 V

### THYRISTOR TRIGGERING CHARACTERISTICS

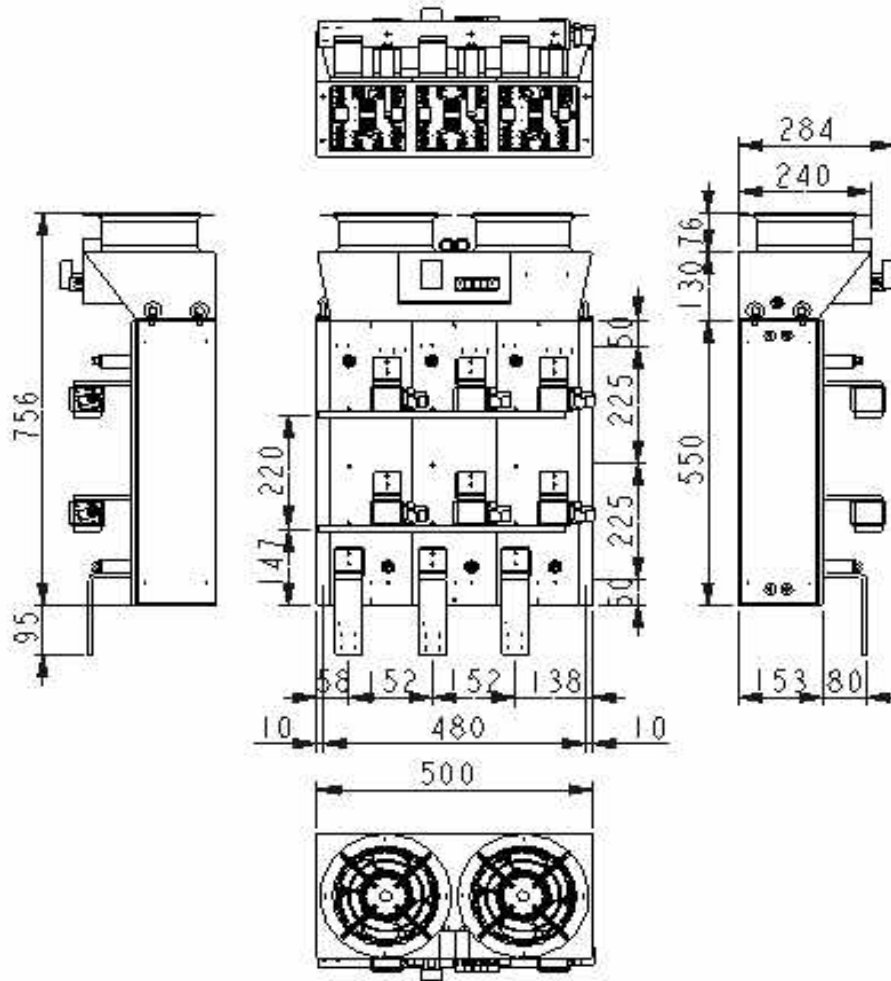
V <sub>GT</sub>	Gate trigger voltage	T <sub>j</sub> = 25 °C, V <sub>D</sub> = 5 V	3 V	3 V	3 V
I <sub>GT</sub>	Gate trigger current	T <sub>j</sub> = 25 °C, V <sub>D</sub> = 5 V	300 mA	300 mA	300 mA
dV/dt	Critical rate of rise off-state voltage	T <sub>j</sub> = 125 °C	1000 V/us	1000 V/us	1000 V/us
V <sub>RRM</sub>	Blocking Voltage	T <sub>j</sub> = 125 °C	1200 V	1600 V	2200 V

### FUSE TYPE SIBA 2068132.1000

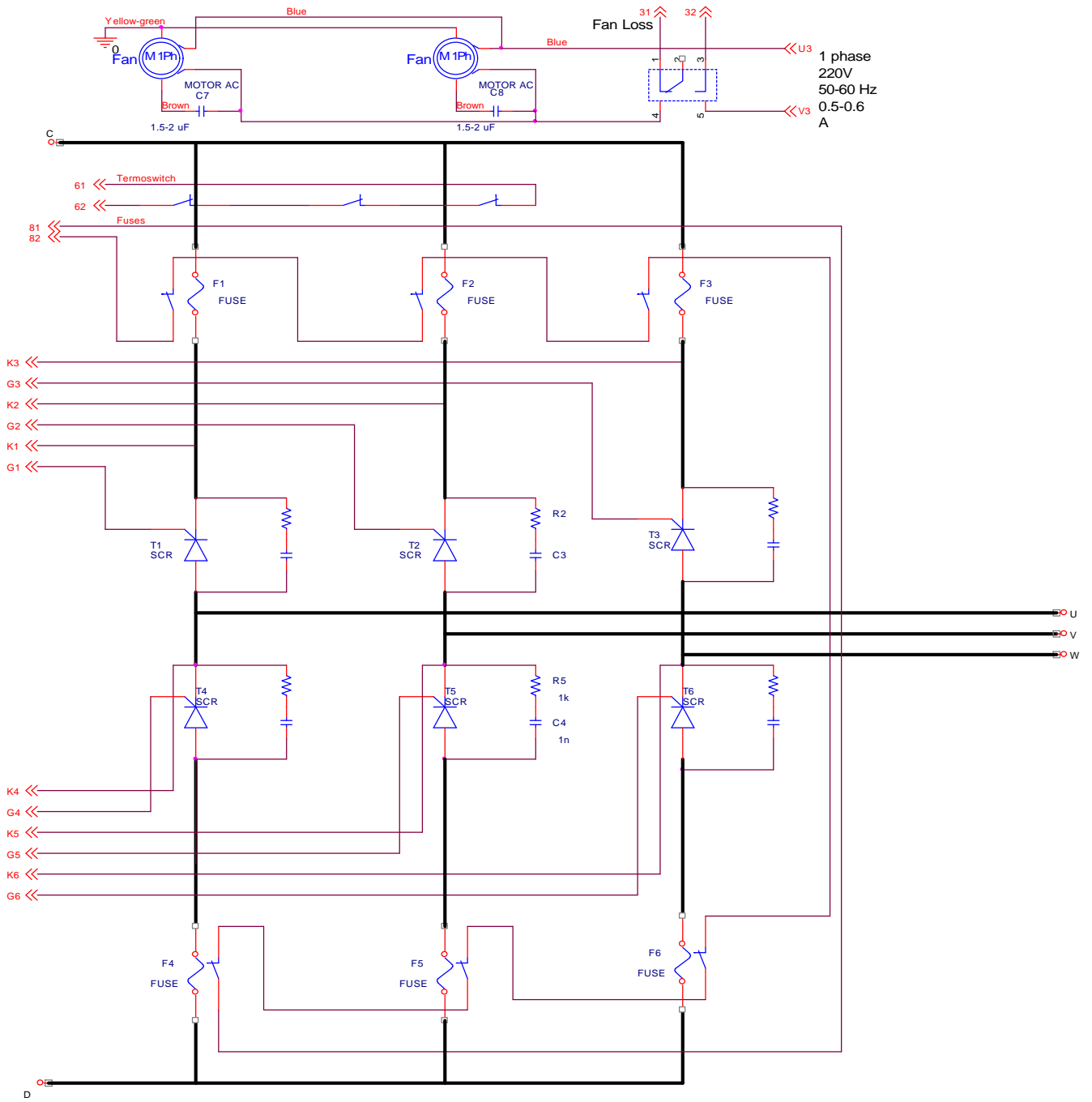
V <sub>NF</sub>	Rated voltage		690 V	690 V	690 V
I <sub>NF</sub>	Rated current		1000 A	1000 A	1000 A
P <sub>VF</sub>	Power loss	At rated current	131 W	131 W	131 W
I <sup>2</sup> <sub>t</sub>	Total I <sup>2</sup> t		560 kA <sup>2</sup> s	660 kA <sup>2</sup> s	860 kA <sup>2</sup> s

### MECHANICAL AND THERMAL CHARACTERISTICS

	Width		500 mm	500 mm	500 mm
	Depth		275 mm	275 mm	275 mm
	Height		855 mm	855 mm	855 mm
	Mass		70 kg	70 kg	70 kg
T <sub>a max</sub>	Max amb. op. Temp.		40 °C	40 °C	40 °C
T <sub>stg</sub>	Storage temperature		-40/125 °C	-40/125 °C	-40/125 °C



In the interest of product improvement Green Power Semiconductors reserves the right to change any specification given in this data sheet without notice.



In the interest of product improvement Green Power Semiconductors reserves the right to change any specification given in this data sheet without notice.