

GOG9xx20

THREE PHASE AC-DC BRIDGE

- Fuse protection
- Temperature sensors
- Snubber for SCR's protections
- Extractible stacks for easy field service

LINE VOLTAGE UP TO 500V

DC OUTPUT CURRENT 2000 A

GOG94020 GOG95020

| | | |
|----------------------|--------------|--------------|
| Line to line voltage | 400 V | 500 V |
|----------------------|--------------|--------------|

| Characteristic | | Conditions | Value | Value | |
|------------------------|--------------------|------------|--------|--------|--|
| I _{DC} | DC output current | | 2000 A | 2000 A | |
| V _{INS} (rms) | Insulation voltage | | 3000 V | 3000 V | |
| | | | | | |

THYRISTOR TRIGGERING CHARACTERISTICS

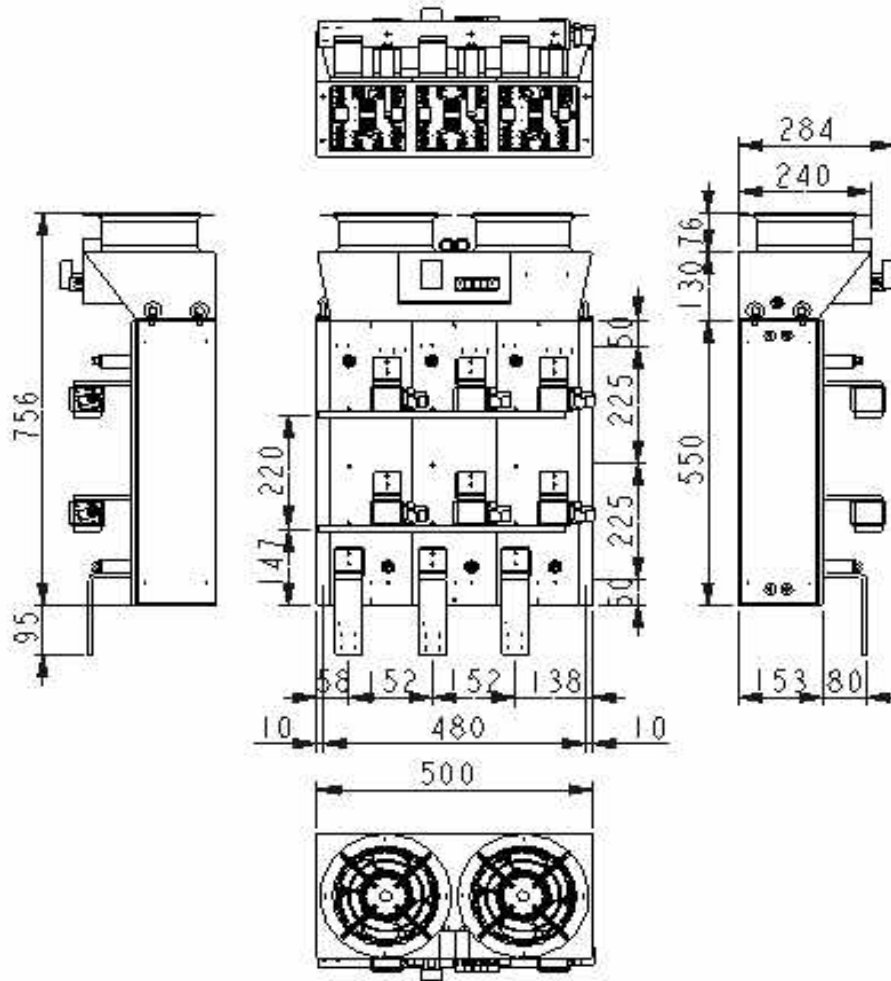
| | | | | | |
|------------------|---|--|-----------|-----------|--|
| V _{GT} | Gate trigger voltage | T _j = 25 °C, V _D = 5 V | 3 V | 3 V | |
| I _{GT} | Gate trigger current | T _j = 25 °C, V _D = 5 V | 300 mA | 300 mA | |
| dV/dt | Critical rate of rise off-state voltage | T _j = 125 °C | 1000 V/us | 1000 V/us | |
| V _{RRM} | Blocking Voltage | T _j = 125 °C | 1200 V | 1600 V | |

FUSE TYPE SIBA 2068132.1250

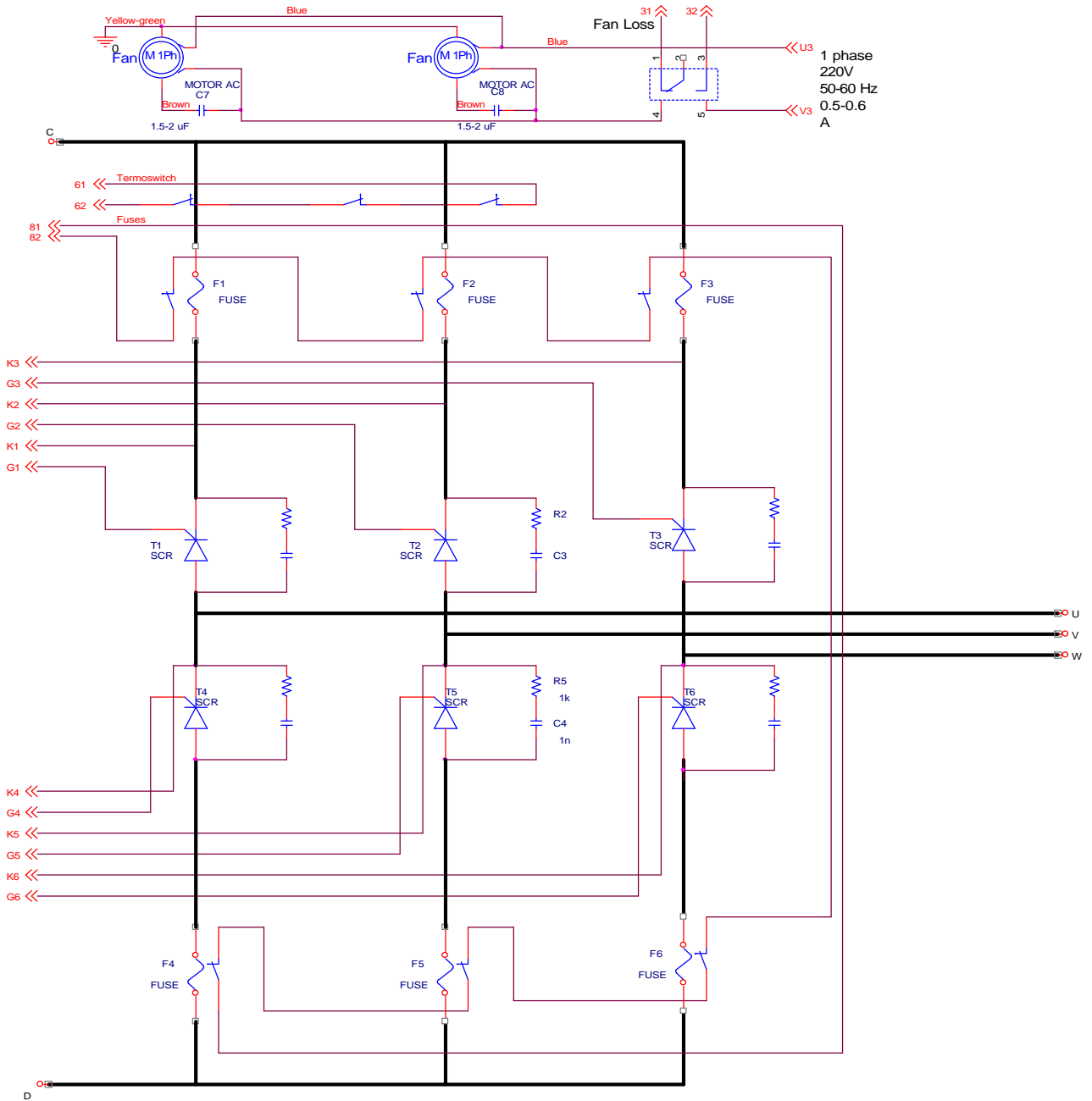
| | | | | | |
|-----------------------------|------------------------|------------------|------------------------|------------------------|--|
| V _{NF} | Rated voltage | | 690 V | 690 V | |
| I _{NF} | Rated current | | 1250 A | 1250 A | |
| P _{VF} | Power loss | At rated current | 147 W | 147 W | |
| I ² _t | Total I ² t | | 1140 kA ² s | 1330 kA ² s | |
| | | | | | |

MECHANICAL AND THERMAL CHARACTERISTICS

| | | | | | |
|--------------------|---------------------|--|------------|------------|------------|
| | Width | | 500 mm | 500 mm | 500 mm |
| | Depth | | 275 mm | 275 mm | 275 mm |
| | Height | | 855 mm | 855 mm | 855 mm |
| | Mass | | 70 kg | 70 kg | 70 kg |
| T _{a max} | Max amb. op. Temp. | | 40 °C | 40 °C | 40 °C |
| T _{stg} | Storage temperature | | -40/125 °C | -40/125 °C | -40/125 °C |
| | | | | | |



In the interest of product improvement Green Power Semiconductors reserves the right to change any specification given in this data sheet without notice.



In the interest of product improvement Green Power Semiconductors reserves the right to change any specification given in this data sheet without notice.