

# GOG9xx24

## THREE PHASE AC-DC BRIDGE

Fuse protection  
Temperature sensors  
Snubber for SCR's protections  
Extractible stacks for easy field service

**LINE VOLTAGE UP TO 500V**  
**DC OUTPUT CURRENT 2400A**

### GOG94024 GOG95024

Line to line voltage	<b>400</b>	<b>500</b>	
----------------------	------------	------------	--

Characteristic		Conditions	Value	Value	Value
I <sub>DC</sub>	DC output current		2400 A	2400 A	
V <sub>INS</sub> (rms)	Insulation voltage		3000 V	3000 V	

### THYRISTOR CHARACTERISTICS

V <sub>GT</sub>	Gate trigger voltage	T <sub>j</sub> = 25 °C, V <sub>D</sub> = 5 V	3 V	3 V	
I <sub>GT</sub>	Gate trigger current	T <sub>j</sub> = 25 °C, V <sub>D</sub> = 5 V	300 mA	300 mA	
dV/dt	Critical rate of rise off-state voltage	T <sub>j</sub> = 125 °C	1000 V/us	1000 V/us	
V <sub>R</sub> RRM	Blocking Voltage	T <sub>j</sub> = 125 °C	1200 V	1600 V	

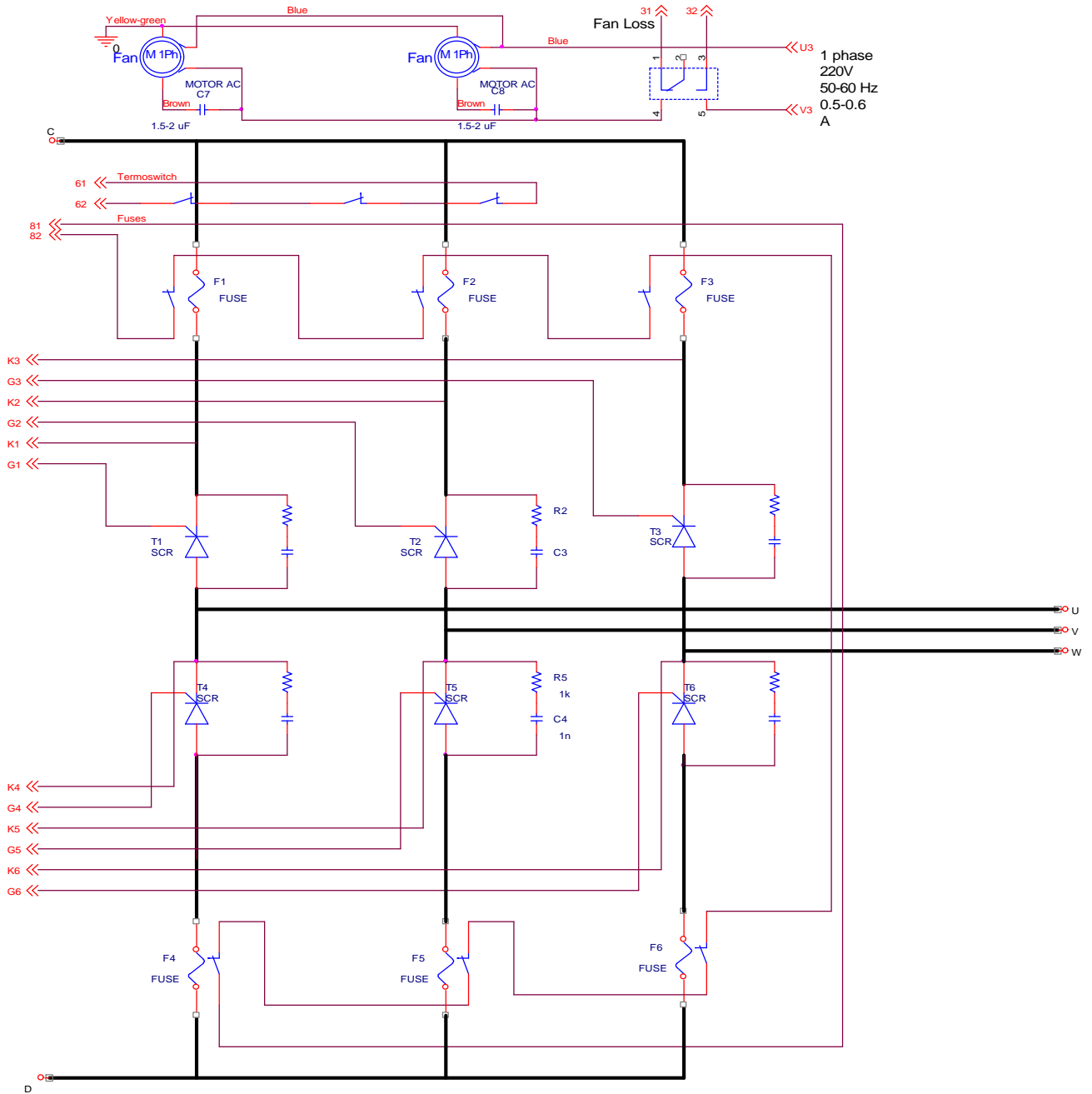
### FUSE TYPE SIBA 2068132.1400

V <sub>NF</sub>	Rated voltage		690 V	690 V	
I <sub>NF</sub>	Rated current		1400 A	1400 A	
P <sub>VF</sub>	Power loss	At rated current	W	W	
I <sup>2</sup> t	Total I <sup>2</sup> t		kA <sup>2</sup> s	kA <sup>2</sup> s	

### MECHANICAL AND THERMAL CHARACTERISTICS

	Width		620 mm	620 mm	
	Depth		360 mm	360 mm	
	Height		855 mm	855 mm	
	Mass		100 kg	100 kg	
T <sub>a</sub> max	Max amb. op. Temp.		40 °C	40 °C	
T <sub>stg</sub>	Storage temperature		-40/125 °C	-40/125 °C	





In the interest of product improvement Green Power Semiconductors reserves the right to change any specification given in this data sheet without notice.