

GOB9xx15

Bi-DIRECTIONAL THREE PHASE AC-DC BRIDGE

Fuse protection

Temperature sensors

Snubber for SCR's protections

Extractible stacks for easy field service

LINE VOLTAGE UP TO 690V
DC OUTPUT CURRENT 1500A

GOB94015 GOB95015 GOB96015

Line to line voltage	400 V	500 V	690 V
----------------------	--------------	--------------	--------------

Characteristic		Conditions	Value	Value	Value
I _{DC}	DC output current		1500 A	1500 A	1500 A
V _{INS} (rms)	Insulation voltage		3000 V	3000 V	3000 V

THYRISTOR TRIGGERING CHARACTERISTICS

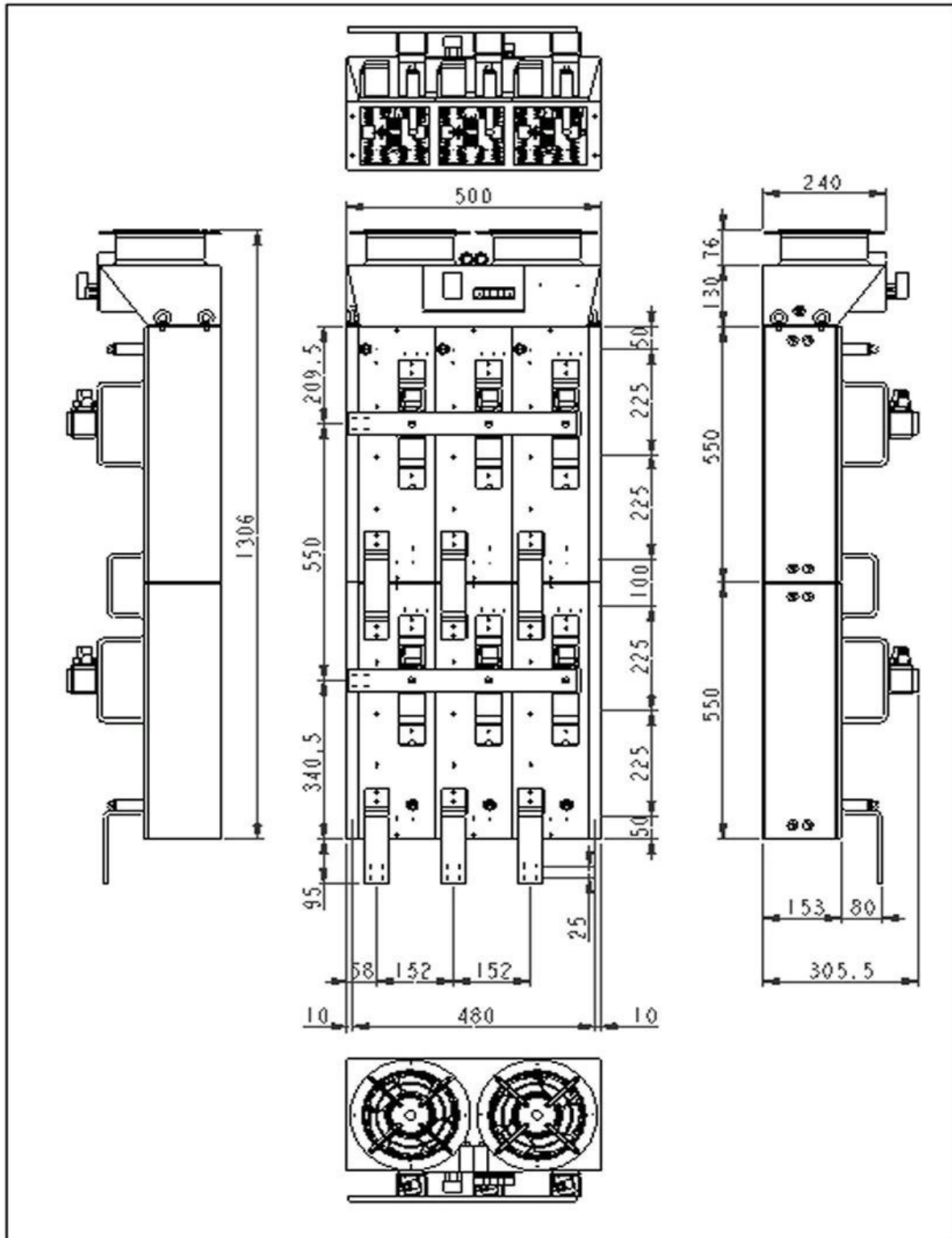
V _{GT}	Gate trigger voltage	T _j = 25 °C, V _D = 5 V	3 V	3 V	3 V
I _{GT}	Gate trigger current	T _j = 25 °C, V _D = 5 V	300 mA	300 mA	300 mA
dV/dt	Critical rate of rise off-state voltage	T _j = 125 °C	1000 V/us	1000 V/us	1000 V/us
V _{RRM}	Blocking Voltage	T _j = 125 °C	1200 V	1600 V	2200 V

FUSE TYPE SIBA 2067132.900 / 2078132.900

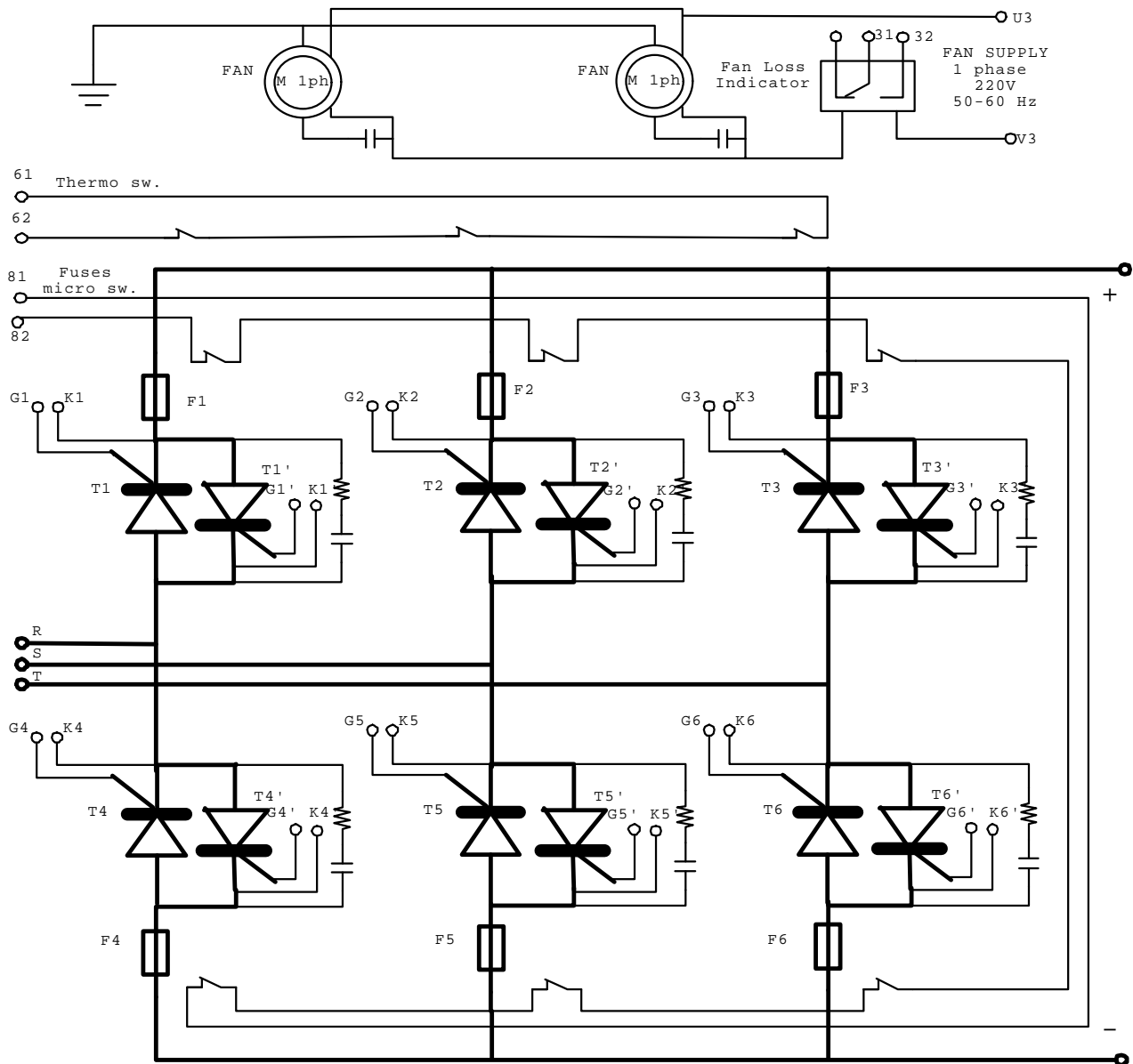
V _{NF}	Rated voltage		690 V	690 V	1250 V
I _{NF}	Rated current		900 A	900 A	900 A
P _{VF}	Power loss	At rated current	111 W	111 W	140 W
I ² t	Total I ² t		950 kA ² s	950 kA ² s	1300 kA ² s

MECHANICAL AND THERMAL CHARACTERISTICS

	Width		500 mm	500 mm	500 mm
	Depth		275 mm	275 mm	375 mm
	Height		855 mm	855 mm	1405 mm
	Mass		130 kg	130 kg	130 kg
T _{a max}	Max amb. op. Temp.		40 °C	40 °C	40 °C
T _{stg}	Storage temperature		-40/60 °C	-40/60 °C	-40/60 °C



In the interest of product improvement Green Power Semiconductors reserves the right to change any specification given in this data sheet without notice.



In the interest of product improvement Green Power Semiconductors reserves the right to change any specification given in this data sheet without notice.