

GOB9xx24

BI-DIRECTIONAL THREE PHASE AC-DC BRIDGE

Fuse protection
Temperature sensors
Snubber for SCR's protections
Extractible stacks for easy field service

LINE VOLTAGE UP TO 500V
DC OUTPUT CURRENT 2400A

GOB94024 GOB95024

Line to line voltage	400 V	500 V	
----------------------	--------------	--------------	--

Characteristic		Conditions	Value	Value	
I _{DC}	DC output current		2400 A	2400 A	
V _{INS} (rms)	Insulation voltage		3000 V	3000 V	

THYRISTOR CHARACTERISTICS

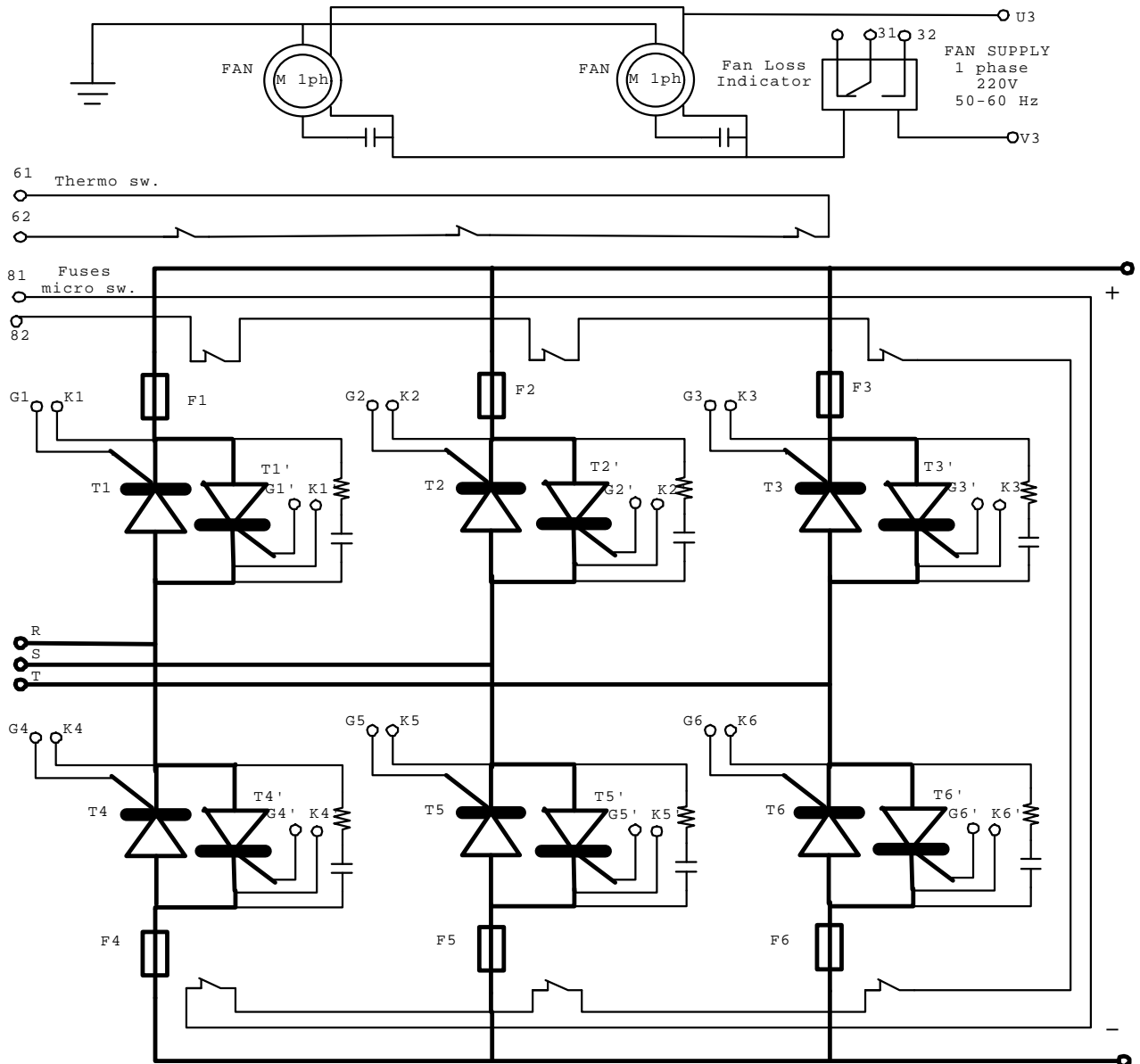
V _{GT}	Gate trigger voltage	T _j = 25 °C, V _b = 5 V	3 V	3 V	
I _{GT}	Gate trigger current	T _j = 25 °C, V _b = 5 V	300 mA	300 mA	
dV/dt	Critical rate of rise off-state voltage	T _j = 125 °C	1000 V/us	1000 V/us	
V _{RRM}	Blocking Voltage	T _j = 125 °C	1200 V	1600 V	

FUSE TYPE SIBA 268132.1400

V _{NF}	Rated voltage		690 V	690 V	
I _{NF}	Rated current		1400 A	1400 A	
P _{VF}	Power loss	At rated current	161 W	161 W	
I ² t	Total I ² t	At 660V	2200 kA ² s	2200 kA ² s	

MECHANICAL AND THERMAL CHARACTERISTICS

	Width		620 mm	620 mm	
	Depth		420 mm	420 mm	
	Height		1409 mm	1409 mm	
	Mass		170 kg	170 kg	
T _{a max}	Max amb. op. Temp.		40 °C	40 °C	
T _{stg}	Storage temperature		-40/60 °C	-40/60 °C	



In the interest of product improvement Green Power Semiconductors reserves the right to change any specification given in this data sheet without notice.