

GOB96020

BI-DIRECTIONAL THREE PHASE AC-DC BRIDGE

Fuse protection
Temperature sensors
Snubber for SCR's protections
Extractible stacks for easy field service

LINE VOLTAGE UP TO 690V
DC OUTPUT CURRENT 2000A

GOB96020

Line to line voltage				690 V
----------------------	--	--	--	--------------

Characteristic		Conditions			Value
I _{DC}	DC output current				2000 A
V _{INS} (rms)	Insulation voltage				3000 V

THYRISTOR CHARACTERISTICS

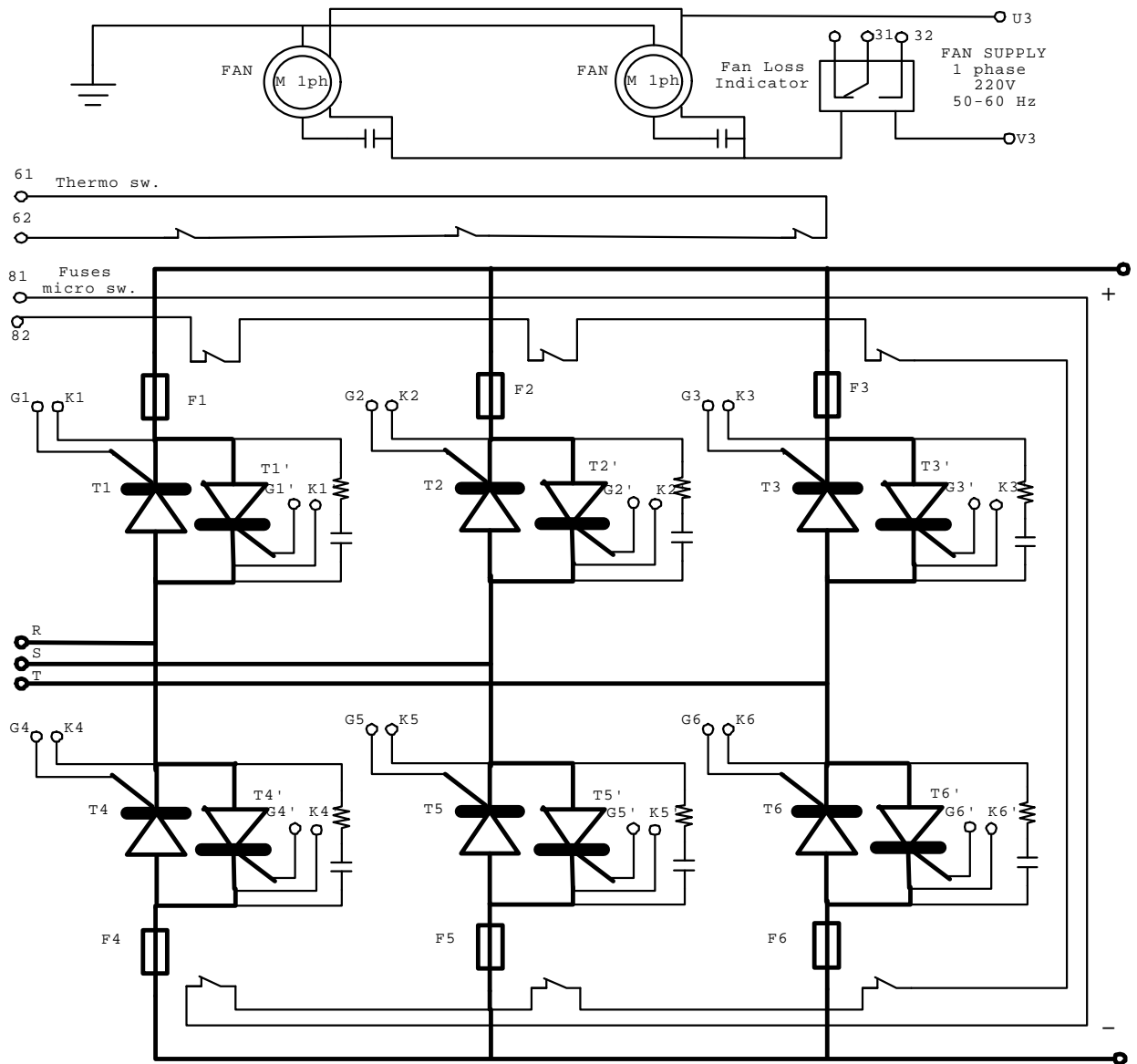
V _{GT}	Gate trigger voltage	T _j = 25 °C, V _D = 5 V			3 V
I _{GT}	Gate trigger current	T _j = 25 °C, V _D = 5 V			300 mA
dV/dt	Critical rate of rise off-state voltage	T _j = 125 °C			1000 V/us
V _R RRM	Blocking Voltage	T _j = 125 °C			2200 V

FUSE TYPE SIBA 2078132.630

V _{NF}	Rated voltage				1000 V
I _{NF}	Rated current				630 A
P _{VF}	Power loss	At rated current			120 W
I ² t	Total I ² t	At 1000V			480 kA ² s

MECHANICAL AND THERMAL CHARACTERISTICS

	Width				620 mm
	Depth				420 mm
	Height				1409 mm
	Mass				170 kg
T _a max	Max amb. op. Temp.				40 °C
T _{stg}	Storage temperature				-40/60 °C



In the interest of product improvement Green Power Semiconductors reserves the right to change any specification given in this data sheet without notice.