

GOG96024

THREE PHASE AC-DC BRIDGE

Fuse protection
Temperature sensors
Snubber for SCR's protections
Extractible stacks for easy field service

LINE VOLTAGE UP TO 690V
DC OUTPUT CURRENT 2400 A

GOG96027

Line to line voltage	690 V
----------------------	-------

Characteristic		Conditions			Value
I _{DC}	DC output current				2400 A
V _{INS} (rms)	Insulation voltage				3000 V

THYRISTOR TRIGGERING CHARACTERISTICS

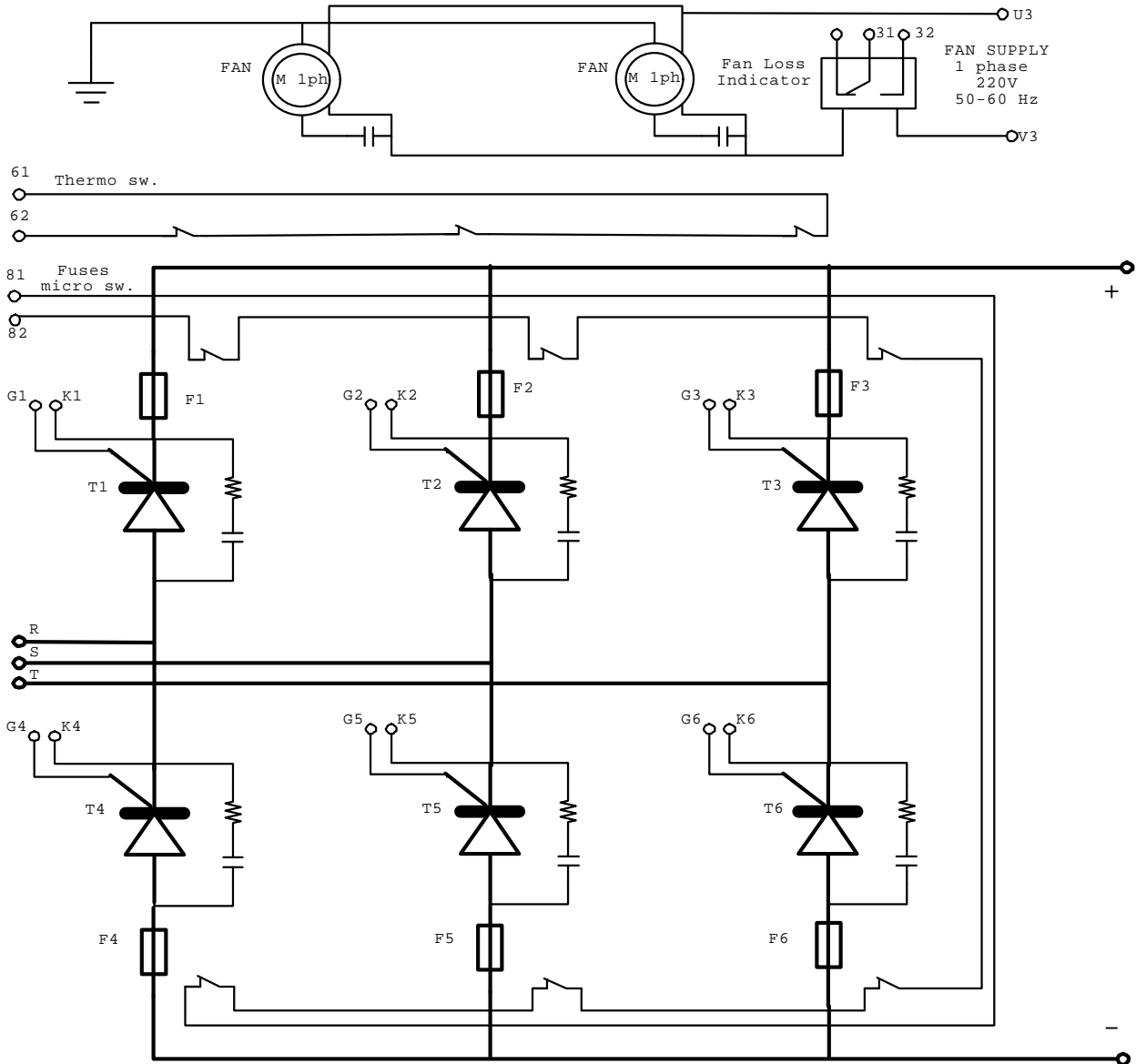
V _{GT}	Gate trigger voltage	T _j = 25 °C, V _D = 5 V			3 V
I _{GT}	Gate trigger current	T _j = 25 °C, V _D = 5 V			400 mA
dV/dt	Critical rate of rise off-state voltage	T _j = 125 °C			1000 V/us
V _{RRM}	Blocking Voltage	T _j = 125 °C			2200 V

FUSE TYPE: 2 x SIBA 2068132.700

V _{NF}	Rated voltage				690 V
I _{NF}	Rated current				700 A
P _{VF}	Power loss	At rated current			113 W
I ² t	Total I ² t	At 660 V			300 kA ² s

MECHANICAL AND THERMAL CHARACTERISTICS

	Width				712 mm
	Depth				395 mm
	Height				855 mm
	Mass				140 kg
T _{a max}	Max amb. op. Temp.				40 °C
T _{stg}	Storage temperature				-40/60 °C



In the interest of product improvement Green Power Semiconductors reserves the right to change any specification given in this data sheet without notice.