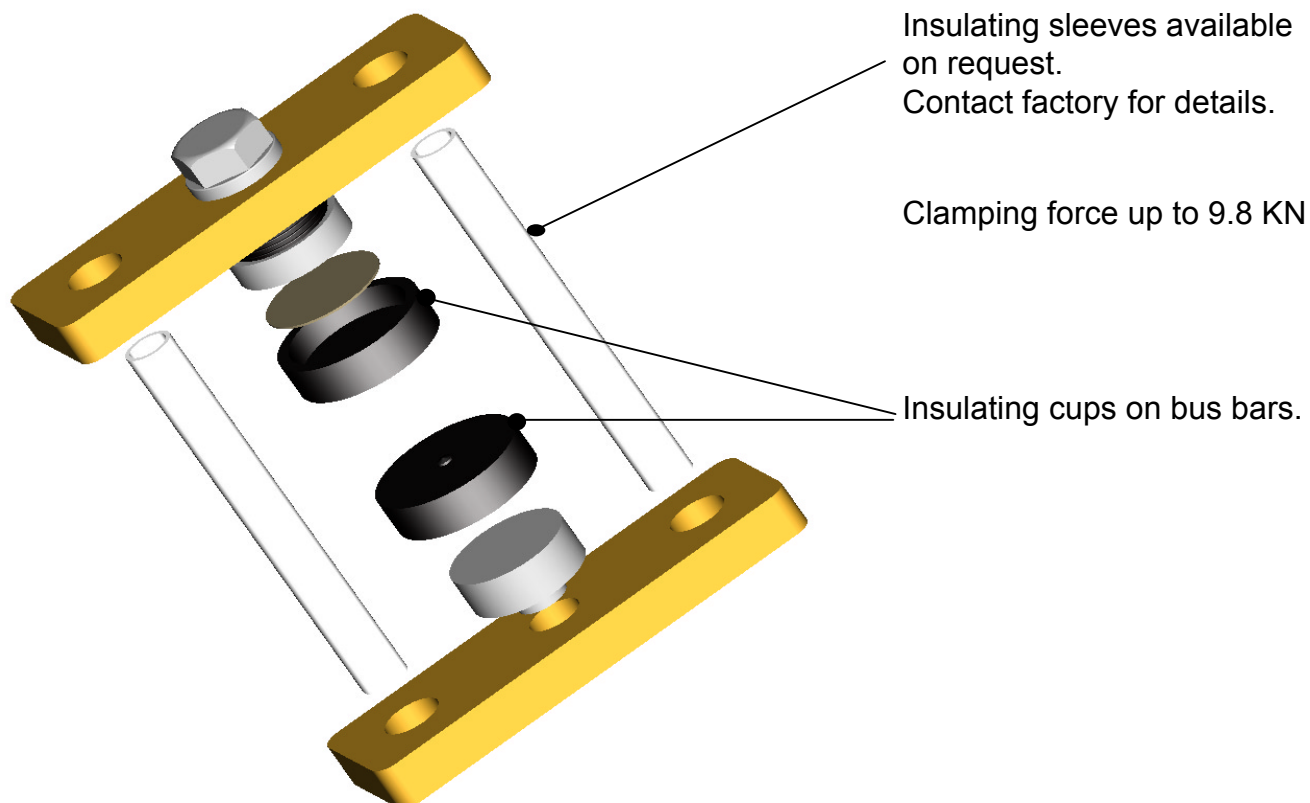


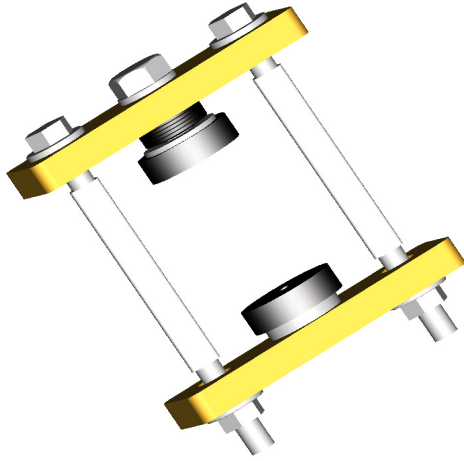
CLAMPS FOR PRESS PACK DEVICES



ORDER INFORMATION

CLAMP 8 KN	GCL08	CLAMP
	GCL08-B	WITH LOWER BAR
	GCL08-BS	WITH LOWER BAR AND SLEEVES
CLAMP 9,8 KN	GCL10	CLAMP
	GCL10-B	WITH LOWER BAR
	GCL10-BS	WITH LOWER BAR AND SLEEVES

GCLL08



GCLL10

