

## BOX CLAMPS

Clamping force up to 10kN

Operating temperature range -40 +90 °C

Insulation material

**NORYL** <sup>â</sup> (  **GE - Plastic** )

UL94 certified

dielectric strength up to 6kV rms 50 Hz

Bolts and nuts supplied on request

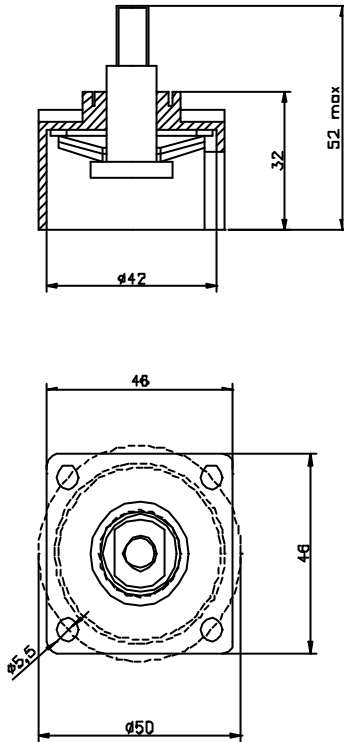
### ORDERING INFORMATION

<b>GB42</b>	<b>X</b>	<b>Y.Y</b>	<b>ZZ.Z</b>
Max device diameter 42 mm (see drawings)	connection : <b>M</b> = threaded M10 stud <b>F</b> = threaded M8 hole <b>B</b> =lateral bar connection	clamping force (up to 7.5kN)	device height [mm] range : 13.1 mm to 14.7 mm
Example	GB42M7.5-14.5		

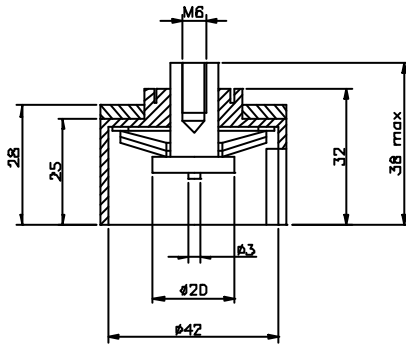
<b>GB52</b>	<b>X</b>	<b>Y.Y</b>	<b>ZZ.Z</b>
Max device diameter 52 mm (see drawings)	connection : <b>M</b> = threaded M10 stud <b>F</b> = threaded M8 hole <b>B</b> =lateral bar connection	clamping force (up to 10kN)	device height [mm] range : 13.1 mm to 25.6 mm
Example	GB52M7.5-22.5		

# BOX CLAMP OUTLINES

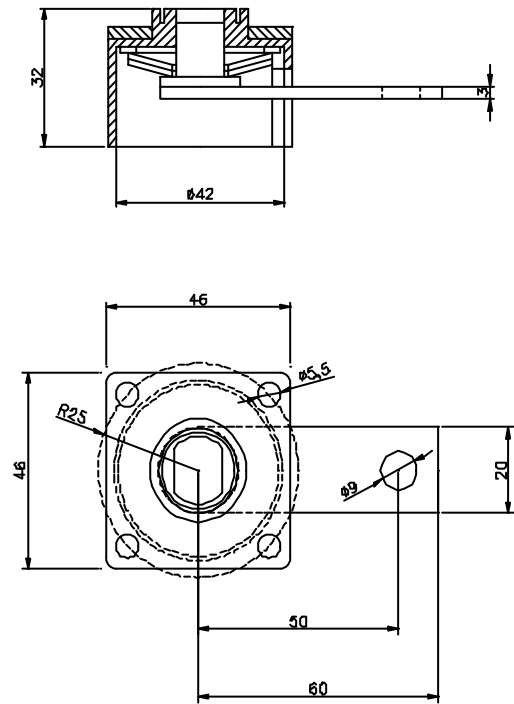
**G42M...**



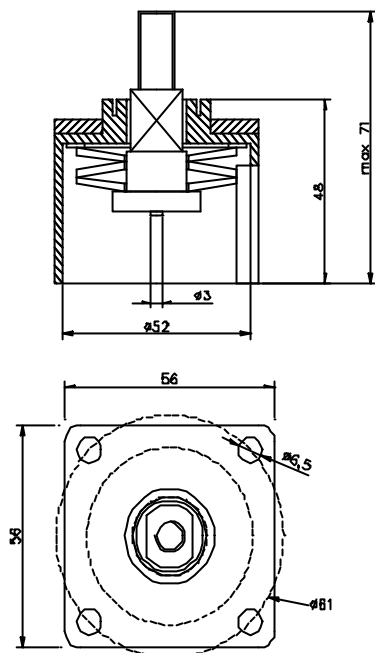
**G42F...**



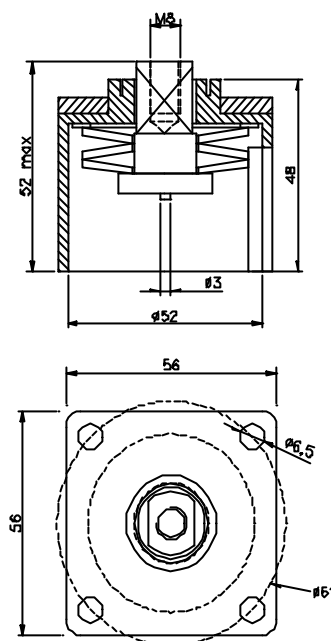
**G42B...**



**G52M...**



**G52F...**



**G52B...**

