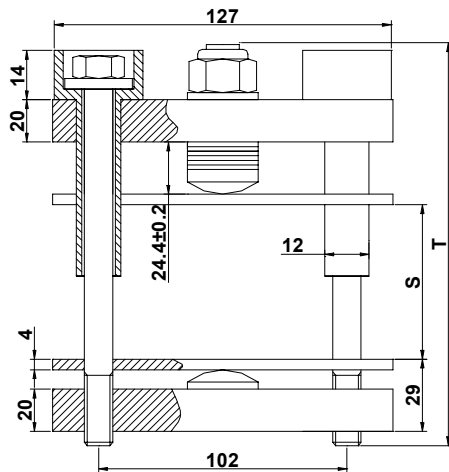


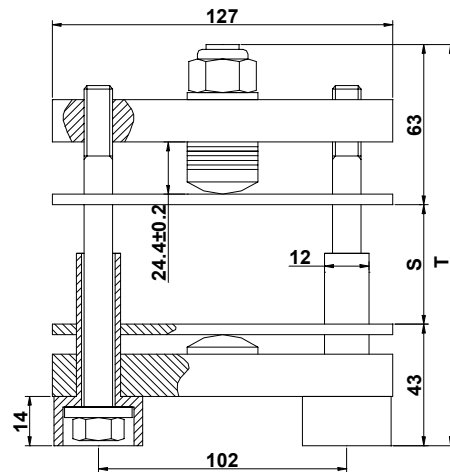
GC102...R

BAR CLAMP FOR HOCKEY PUKS

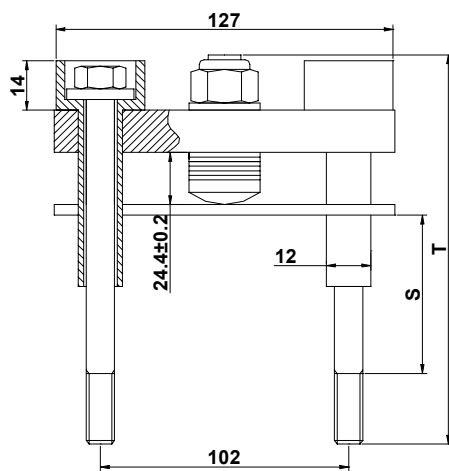
- Various lengths of bolts and insulators
- Round shaped clamping head for optimal clamping force application
- Pre-loaded to the specific clamping force
- Four clamps styles
- Gold iridite plating
- User friendly clamping force indicator
- UL94 certified insulation material



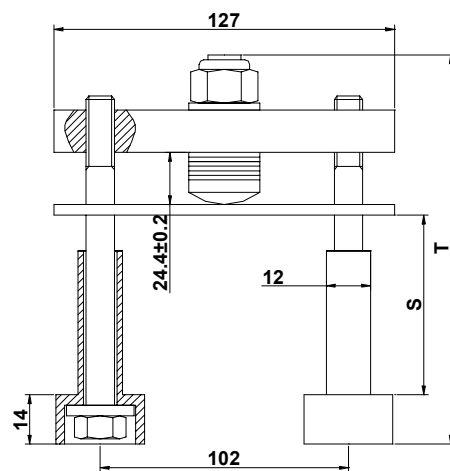
GC102BN...R



GC102BR...R




GC102SN...R



GC102SR...R

Dimensions in millimeters

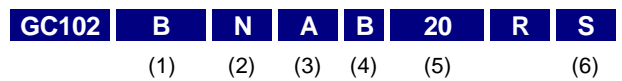
T: Max total height (see table)
S: Clearance allowed (see table)

Parameter	Unit	Types/Testing conditions/Notes	Values	
			Min	Max
Weight	g	GC102S...	800	950
		GC102B...	1390	1550
Clamping Force*	kN	GC102...12	12	
		GC102...15	15	
		GC102...20	20	
		GC102...22	22	
Insulation Voltage	V _{RMS}	1 min	3000	
Insulating Material		UL File: E121562		Noryl ®
Max. working temperature	°C		110	
Min. working temperature	°C		-30	
Storage temperature	°C		-40/110	

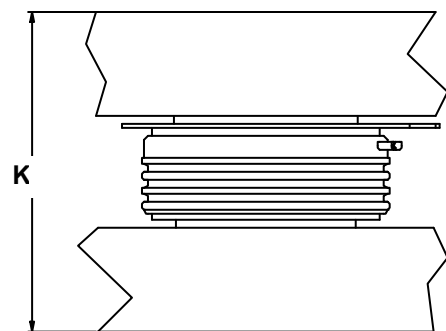
* Other clamping forces available: contact factory

ORDERING INFORMATION TABLE

Clamps can be ordered using the following part numbering system



(1) Construction type:	B = with double bar S = with single bar
(2) Insulator position:	N = upper side R = lower side
(3) Insulator code:	see table below
(4) Bolt code:	see table below
(5) Clamping force (in kN):	12
	15
	20
	22
(6) Special accessories	blank = no accessories
	S = extra metal spacer
	D = pressure disc in place of pressure bar



K: Total thickness of the assembly to be clamped

For thicknesses $S'_{Min} < K < S_{Min}$ an additional 4 mm thick metal spacer is needed (see list of special accessories)

Type GC102BN...: suggested insulator/bolt types

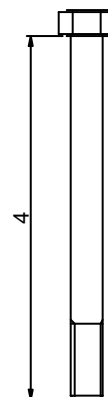
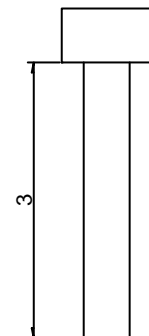
Allowed clearance S			Insulator choice		Bolt choice		Max height
S' Min [mm]**	S Min [mm]	SMax [mm]	(3)	Ins. Lenght [mm]	(4)	Bolt Lenght [mm]	T [mm]
21	25	31	B	70	A	110	125
31	35	41	B	70	B	120	135
41	45	51	B/C	70/95**	C	130	145
51	55	61	C	95	D	140	155
61	65	71	C	95	E	150	165
71	75	81	D	120	F	160	175

** with additional metal spacer only

Type GC102BR...: suggested insulator/bolt types

Allowed clearance S			Insulator choice		Bolt choice		Max height
S' Min [mm]**	S Min [mm]	SMax [mm]	(3)	Ins. Lenght [mm]	(4)	Bolt Lenght [mm]	T [mm]
21	25	31	A	50	A	110	139
31	35	41	A	50	B	120	149
41	45	51	A/B	50/70	C	130	159
51	55	61	B	70	D	140	169
61	65	71	B	70	E	150	179
71	75	81	C	95	F	160	189

** with additional metal spacer only

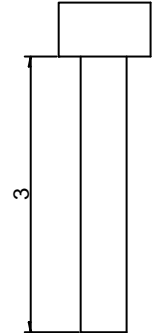


In the interest of product improvement Green Power Semiconductors reserves the right to change any specification given in this data sheet without notice.

Type GC102SN...: suggested insulator/bolt types

Allowed clearance S			Insulator choice		Bolt choice		Max height
S' Min[mm]**	S Min [mm]	SMax [mm]	(3)	Ins. Lenght [mm]	(4)	Bolt Lenght [mm]	T [mm]
30	34	40	B	70	A	110	120
40	44	50	B	70	B	120	130
50	54	60	B/C	70/95	C	130	140
60	64	70	C	95	D	140	150
70	74	80	C/D	95/120	E	150	160
80	84	90	D	120	F	160	170

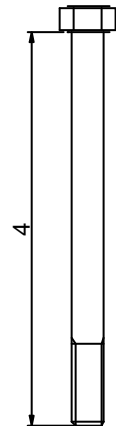
** with additional metal spacer only



Type GC102SR...: suggested insulator/bolt types

Allowed clearance S			Insulator choice		Bolt choice		Max height
S' Min[mm]**	S Min [mm]	SMax [mm]	(3)	Ins. Lenght [mm]	(4)	Bolt Lenght [mm]	T [mm]
50	54	60	A	50	A	110	139
60	64	70	A	50	B	120	149
70	74	80	A/B	50/70	C	130	159
80	84	90	B	70	D	140	169
90	94	100	B	70	E	150	179
100	104	110	C	95	F	160	189

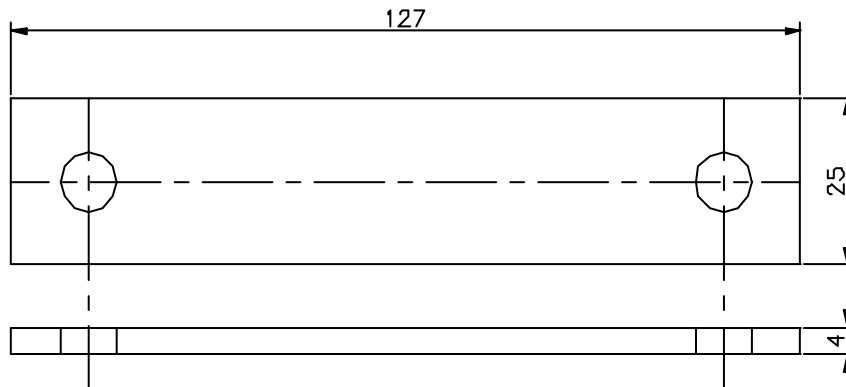
** with additional metal spacer only



SPECIAL ACCESSORIES

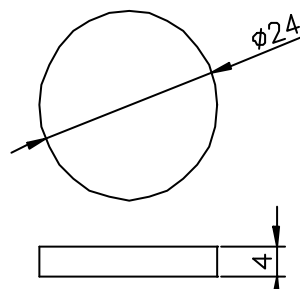
The following special accessories are available

Metal spacer



Pressure disc

Suggested groove diameter 27mm +/- 0.5



In the interest of product improvement Green Power Semiconductors reserves the right to change any specification given in this data sheet without notice.