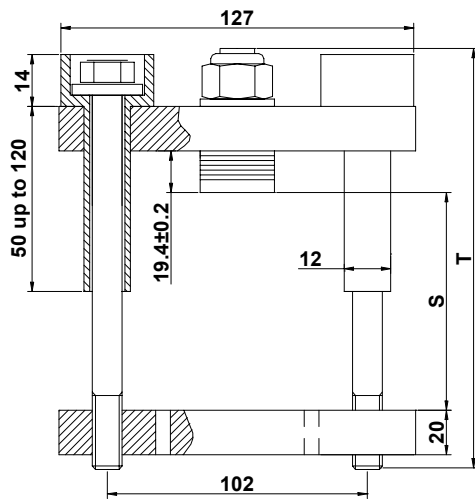


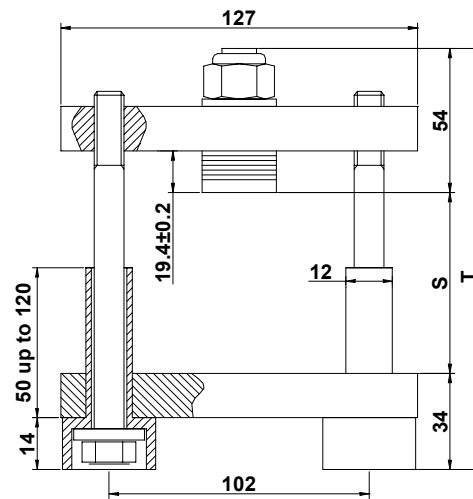
GC102...F

BAR CLAMP FOR HOCKEY PUKS

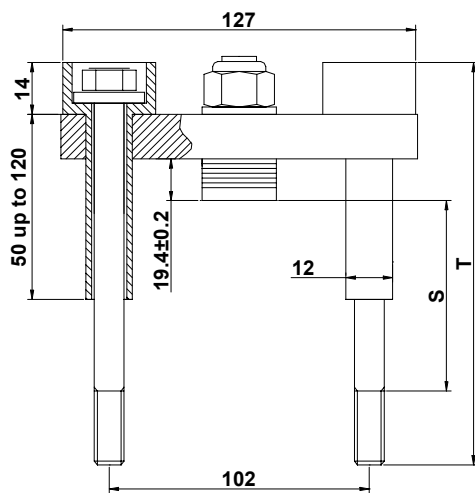
- Various lengths of bolts and insulators
- Pre-loaded to the specific clamping force
- Flat clamping head for minimum clamping head height
- Four clamps styles
- Gold iridite plating
- User friendly clamping force indicator
- UL94 certified insulation material



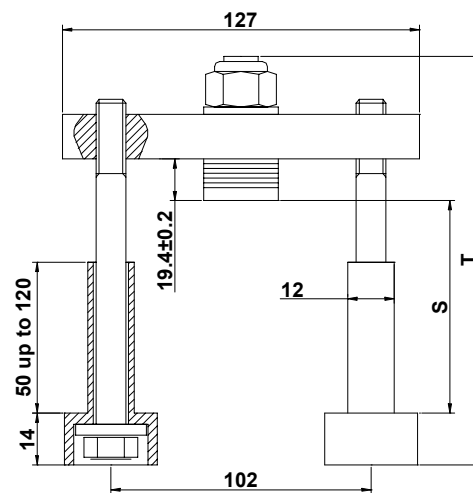
GC102BN...F



GC102BR...F




GC102SN...F



GC102SR...F

Dimensions in millimeters

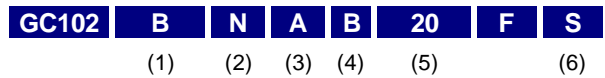
T: Max total height (see table)
S: Clearance allowed (see table)

Parameter	Unit	Types/Testing conditions/Notes	Values	
			Min	Max
Weight	g	GC102S...F	700	850
		GC102B...F	1190	1350
Clamping Force*	kN	GC102...12F	12	
		GC102...15F	15	
		GC102...20F	20	
		GC102...22F	22	
Insulation Voltage	V _{RMS}	1 min	3000	
Insulating Material		UL File: E121562		Noryl®
Max. working temperature	°C		110	
Min. working temperature	°C		-30	
Storage temp.	°C		-40/110	

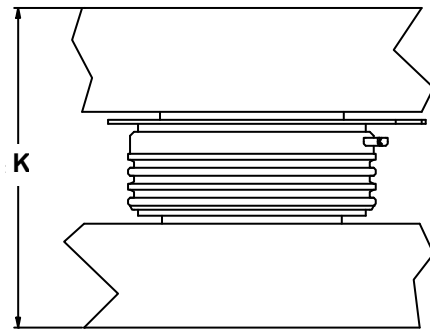
* Other clamping forces available: contact factory

ORDERING INFORMATION TABLE

Clamps can be ordered using the following part numbering system



(1) Construction type:	B = with double bar S = with single bar
(2) Insulator position:	N = upper side R = lower side
(3) Insulator code:	see table below
(4) Bolt code:	see table below
(5) Clamping force (in kN):	12 15 20 22
(6) Special accessories	blank = no accessories S = extra metal spacer



K: Total thickness of the assembly to be clamped

For thicknesses $S'_{Min} < K < S_{Min}$ an additional 4 mm thick metal spacer is needed (see list of special accessories)

Type GC102BN...F: suggested insulator/bolt types

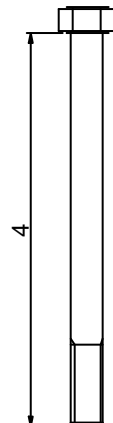
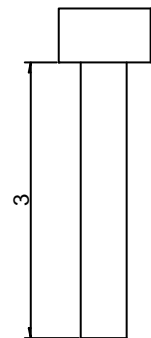
Allowed clearance S			Insulator choice		Bolt choice		Max height
S' Min [mm]**	S Min [mm]	SMax [mm]	(3)	Ins. Lenght [mm]	(4)	Bolt Lenght [mm]	T [mm]
39	43	49	A/B	50/70	A	110	127
49	53	59	B	70	B	120	137
59	63	69	B/C	70/95	C	130	147
69	73	79	C	95	D	140	157
79	83	89	C/D	95/120	E	150	167
89	93	99	D	120	F	160	177

** with additional metal spacer only

Type GC102BR...F: suggested insulator/bolt types

Allowed clearance S			Insulator choice		Bolt choice		Max height
S' Min [mm]**	S Min [mm]	SMax [mm]	(3)	Ins. Lenght [mm]	(4)	Bolt Lenght [mm]	T [mm]
39	43	49	A/B	50/70	A	110	139
49	53	59	B	70	B	120	149
59	63	69	B/C	70/95	C	130	159
69	73	79	C	95	D	140	169
79	83	89	C/D	95/120	E	150	169
89	93	99	D	120	F	160	179

** with additional metal spacer only

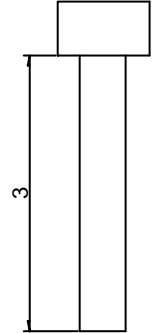


In the interest of product improvement Green Power Semiconductors reserves the right to change any specification given in this data sheet without notice.

Type GC102SN...F: suggested insulator/bolt types

Allowed clearance S			Insulator choice		Bolt choice		Max height
S' Min[mm]**	S Min [mm]	SMax [mm]	(3)	Ins. Lenght [mm]	(4)	Bolt Lenght [mm]	T [mm]
39	43	49	A/B	50/70	A	110	120
49	53	59	B	70	B	120	130
59	63	69	B/C	70/95	C	130	140
69	73	79	C	95	D	140	150
79	83	89	C/D	95/120	E	150	160
89	93	99	D	120	F	160	170

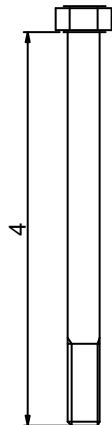
** with additional metal spacer only



Type GC102SR...F: suggested insulator/bolt types

Allowed clearance S			Insulator choice		Bolt choice		Max height
S' Min[mm]**	S Min [mm]	SMax [mm]	(3)	Ins. Lenght [mm]	(4)	Bolt Lenght [mm]	T [mm]
59	63	69	A/B	50/70	A	110	139
69	73	79	B	70	B	120	149
79	83	89	B/C	70/95	C	130	159
89	93	99	B/C	70/95	D	140	169
99	103	109	C/D	95/120	E	150	179
109	113	119	D	120	F	160	189

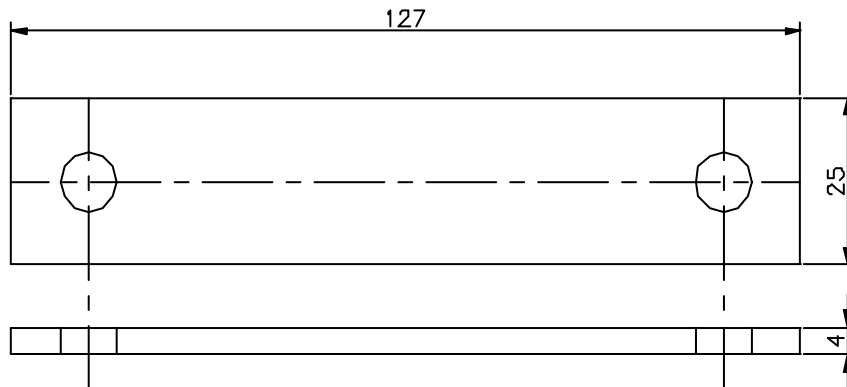
** with additional metal spacer only



SPECIAL ACCESSORIES

The following special accessories are available

Metal spacer



In the interest of product improvement Green Power Semiconductors reserves the right to change any specification given in this data sheet without notice.