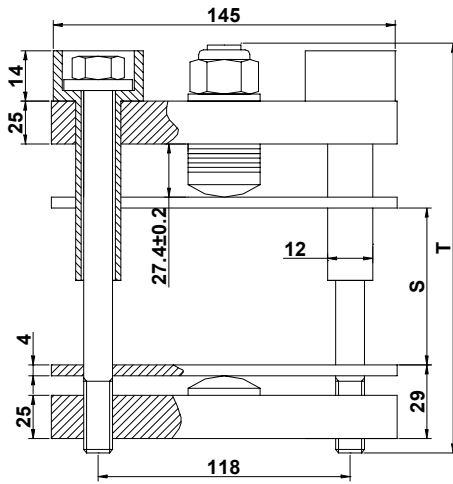


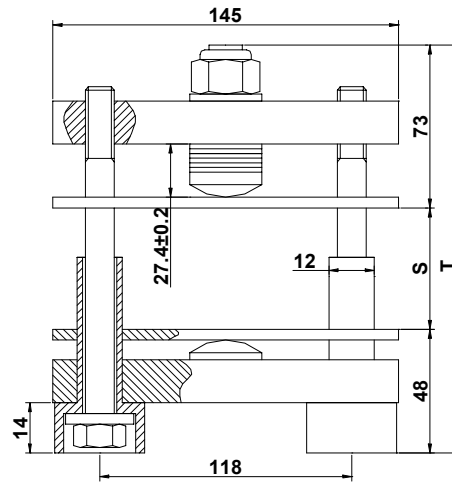
GC118...R

BAR CLAMP FOR HOCKEY PUKS

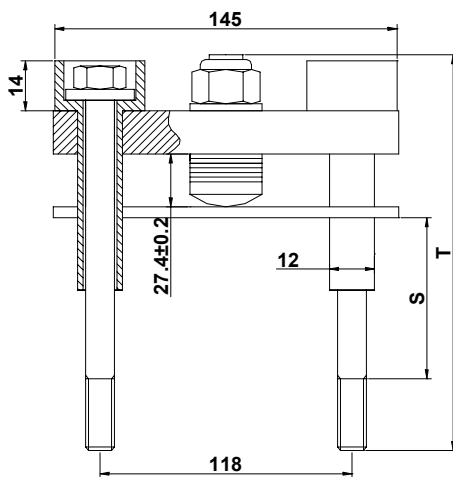
- Various lengths of bolts and insulators
- Round shaped clamping head for optimal clamping force application
- Pre-loaded to the specific clamping force
- Four clamps styles
- Gold iridite plating
- User friendly clamping force indicator
- UL94 certified insulation material



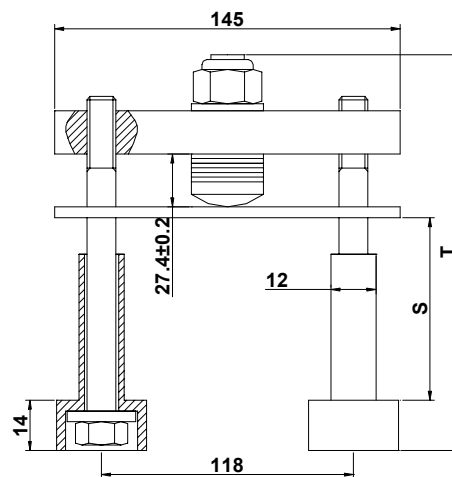
GC1182BN...R



GC118BR...R




GC118SN...R



GC118SR...R

Dimensions in millimeters

T: Max total height (see table)
S: Clearance allowed (see table)

| Parameter | Unit | Types/Testing conditions/Notes | Values | |
|--------------------------|------------------|--------------------------------|---|------|
| | | | Min | Max |
| Weight | g | GC118S... | 930 | 1030 |
| | | GC118B... | 1750 | 1870 |
| Clamping Force* | kN | GC118...22 | 22 | |
| | | GC118...24 | 24 | |
| | | GC118...30 | 30 | |
| | | GC118...32 | 32 | |
| Insulation Voltage | V _{RMS} | 1 min | 3000 | |
| Insulating Material | | UL File: E121562 |  Noryl ® | |
| Max. working temperature | °C | | 110 | |
| Min. working temperature | °C | | -30 | |
| Storage temperature | °C | | -40/110 | |

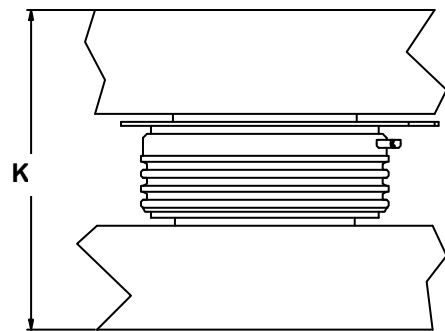
* Other clamping forces available: contact factory

ORDERING INFORMATION TABLE

Clamps can be ordered using the following part numbering system



| | |
|------------------------------------|--|
| (1) Construction type: | B = with double bar S = with single bar |
| (2) Insulator position: | N = upper side R = lower side |
| (3) Insulator code: | see table below |
| (4) Bolt code: | see table below |
| (5) Clamping force (in kN): | 22 24 30 32 |
| (6) Special accessories | blank = no accessories S = extra metal spacer D = pressure disc in place of pressure bar |



K: Total thickness of the assembly to be clamped

For thicknesses $S'_{Min} < K < S_{Min}$ an additional 4 mm thick metal spacer is needed (see list of special accessories)

Type GC118BN...: suggested insulator/bolt types

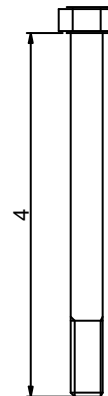
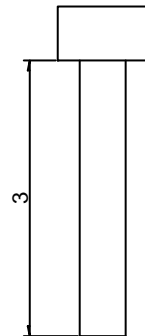
| Allowed clearance S | | | Insulator choice | | Bolt choice | | Max height |
|---------------------|------------|-----------|------------------|------------------|-------------|------------------|------------|
| S' Min [mm]** | S Min [mm] | SMax [mm] | (3) | Ins. Lenght [mm] | (4) | Bolt Lenght [mm] | T [mm] |
| 15 | 19 | 25 | B | 70 | A | 110 | 125 |
| 25 | 29 | 35 | B | 70 | B | 120 | 135 |
| 35 | 39 | 45 | B/C | 70/95** | C | 130 | 145 |
| 45 | 49 | 55 | C | 95 | D | 140 | 155 |
| 55 | 59 | 65 | C | 95 | E | 150 | 165 |
| 65 | 69 | 75 | D | 120 | F | 160 | 175 |

** with additional metal spacer only

Type GC118BR...: suggested insulator/bolt types

| Allowed clearance S | | | Insulator choice | | Bolt choice | | Max height |
|---------------------|------------|-----------|------------------|------------------|-------------|------------------|------------|
| S' Min [mm]** | S Min [mm] | SMax [mm] | (3) | Ins. Lenght [mm] | (4) | Bolt Lenght [mm] | T [mm] |
| 15 | 19 | 25 | A | 50 | A | 110 | 139 |
| 25 | 29 | 35 | A | 50 | B | 120 | 149 |
| 35 | 39 | 45 | A/B | 50/70 | C | 130 | 159 |
| 45 | 49 | 55 | B | 70 | D | 140 | 169 |
| 55 | 59 | 65 | B | 70 | E | 150 | 179 |
| 65 | 69 | 75 | C | 95 | F | 160 | 189 |

** with additional metal spacer only

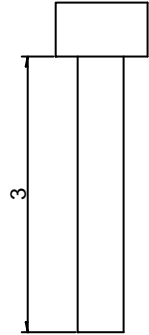


In the interest of product improvement Green Power Semiconductors reserves the right to change any specification given in this data sheet without notice.

Type GC118SN...: suggested insulator/bolt types

| Allowed clearance S | | | Insulator choice | | Bolt choice | | Max height |
|---------------------|------------|-----------|------------------|------------------|-------------|------------------|------------|
| S' Min[mm]** | S Min [mm] | SMax [mm] | (3) | Ins. Lenght [mm] | (4) | Bolt Lenght [mm] | T [mm] |
| 24 | 28 | 33 | B | 70 | A | 110 | 120 |
| 34 | 38 | 43 | B | 70 | B | 120 | 130 |
| 44 | 48 | 53 | B/C | 70/95 | C | 130 | 140 |
| 54 | 58 | 63 | C | 95 | D | 140 | 150 |
| 64 | 68 | 73 | C/D | 95/120 | E | 150 | 160 |
| 74 | 78 | 83 | D | 120 | F | 160 | 170 |

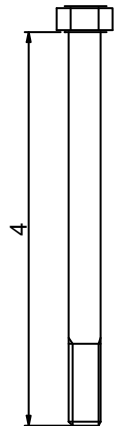
** with additional metal spacer only



Type GC118SR...: suggested insulator/bolt types

| Allowed clearance S | | | Insulator choice | | Bolt choice | | Max height |
|---------------------|------------|-----------|------------------|------------------|-------------|------------------|------------|
| S' Min[mm]** | S Min [mm] | SMax [mm] | (3) | Ins. Lenght [mm] | (4) | Bolt Lenght [mm] | T [mm] |
| 49 | 53 | 59 | A | 50 | A | 110 | 139 |
| 59 | 63 | 69 | A | 50 | B | 120 | 149 |
| 69 | 73 | 79 | A/B | 50/70 | C | 130 | 159 |
| 79 | 83 | 89 | B | 70 | D | 140 | 169 |
| 89 | 93 | 99 | B | 70 | E | 150 | 179 |
| 99 | 103 | 109 | C | 95 | F | 160 | 189 |

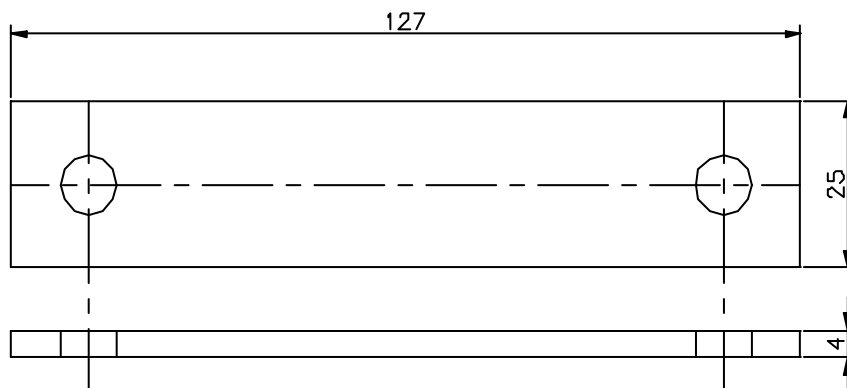
** with additional metal spacer only



SPECIAL ACCESSORIES

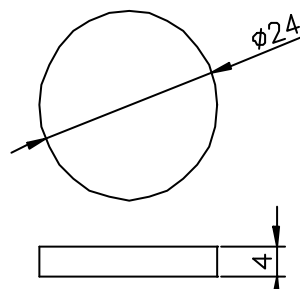
The following special accessories are available

Metal spacer



Pressure disc

Useful for grooved heatsink
Suggested groove diameter 27mm +/- 0.5



In the interest of product improvement Green Power Semiconductors reserves the right to change any specification given in this data sheet without notice.