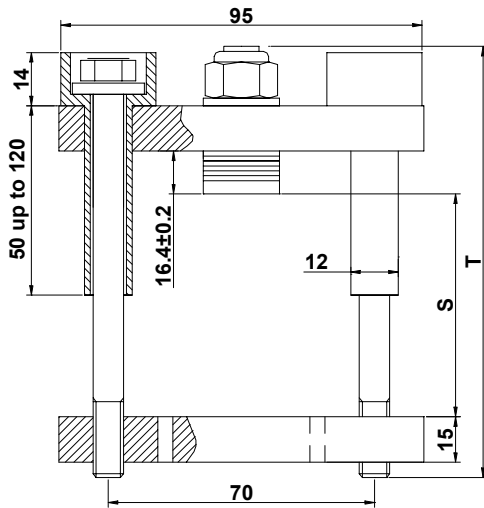


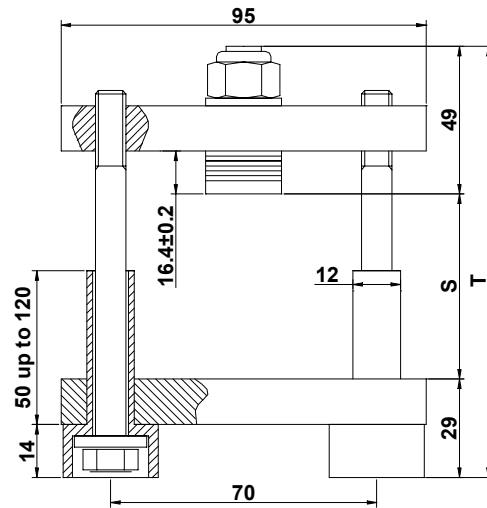
# GC70...F

## BAR CLAMP FOR HOCKEY PUKS

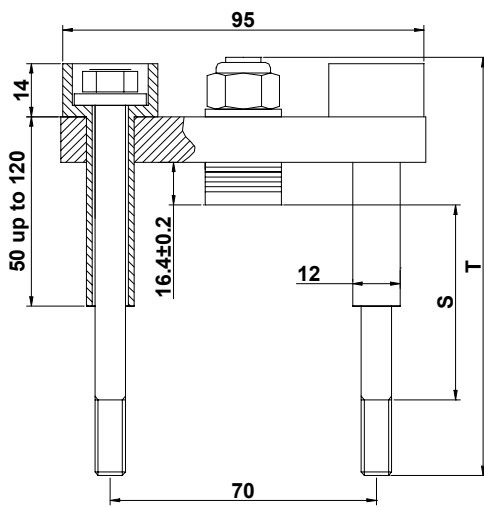
- Various lengths of bolts and insulators
- Pre-loaded to the specific clamping force
- Flat clamping head for minimum clamping head height
- Four clamps styles
- Gold iridite plating
- User friendly clamping force indicator
- UL94 certified insulation material



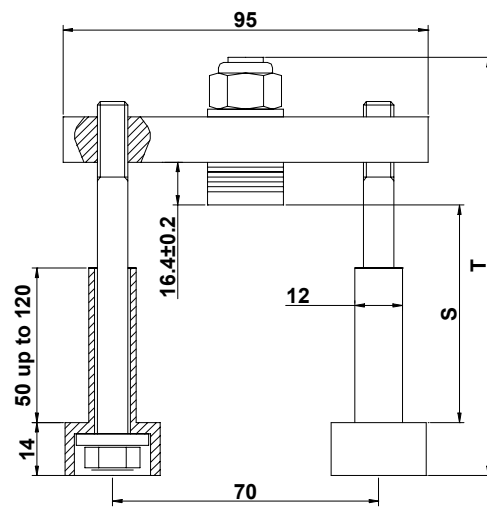
**GC70BN...F**



**GC70BR...F**




**GC70SN...F**



**GC70SR...F**

Dimensions in millimeters

T: Max total height (see table)  
S: Clearance allowed ( see table)

Parameter	Unit	Types/Testing conditions/Notes	Values	
			Min	Max
Weight	g	GC70S...F	620	770
		GC70B...F	1100	1270
Clamping Force*	kN	GC70...03F	03	
		GC70...05F	05	
		GC70...08F	08	
		GC70...10F	10	
		GC70...12F	12	
Insulation Voltage	V <sub>RMS</sub>	1 min	3000	
Insulating Material		UL File: E121562		Noryl ®
Max. working temperature	°C		110	
Min. working temperature	°C		-30	
Storage temp.	°C		-40/110	

\* Other clamping forces available: contact factory

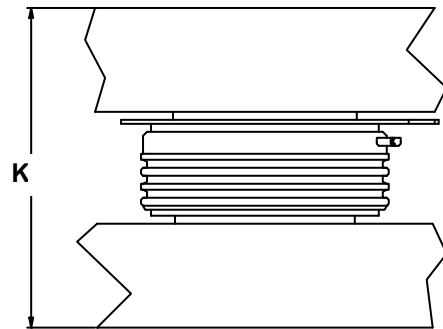
**ORDERING INFORMATION TABLE**

Clamps can be ordered using the following part numbering system

**GC70 B N A B 20 F S**

(1) (2) (3) (4) (5) (6)

<b>(1) Construction type:</b>	B = with double bar S = with single bar
<b>(2) Insulator position:</b>	N = upper side R = lower side
<b>(3) Insulator code:</b>	see table below
<b>(4) Bolt code:</b>	see table below
<b>(5) Clamping force (in kN):</b>	03
	05
	08
	10
	12
<b>(6) Special accessories</b>	blank = no accessories S = extra metal spacer



K: Total thickness of the assembly to be clamped

For thicknesses  $S'_{Min} < K < S_{Min}$  an additional 4 mm thick metal spacer is needed ( see list of special accessories)

**Type GC70BN...F: suggested insulator/bolt types**

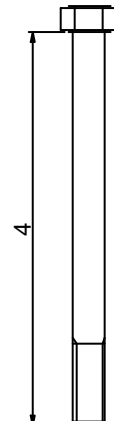
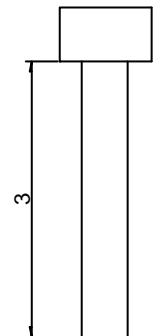
Allowed clearance S			Insulator choice		Bolt choice		Max height
S' Min [mm]**	S Min [mm]	SMax [mm]	(3)	Ins. Lenght [mm]	(4)	Bolt Lenght [mm]	T [mm]
47	51	58	B	70	A	110	120
57	61	68	B/C	70/95*	B	120	130
67	71	78	C	95	C	130	140
77	81	88	C	95	D	140	150
87	91	98	C/D	95/120	E	150	160
97	101	108	D	120	F	160	170

\*\* with additional metal spacer only

**Type GC70BR...F: suggested insulator/bolt types**

Allowed clearance S			Insulator choice		Bolt choice		Max height
S' Min [mm]**	S Min [mm]	SMax [mm]	(3)	Ins. Lenght [mm]	(4)	Bolt Lenght [mm]	T [mm]
47	51	58	B	70	A	110	130
57	61	68	B/C	70/95*	B	120	140
67	71	78	C	95	C	130	150
77	81	88	C	95	D	140	160
87	91	98	C/D	95/120	D	150	170
97	101	108	D	120	E	160	180

\*\* with additional metal spacer only

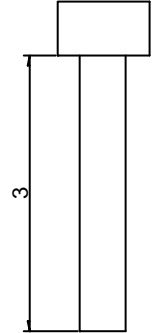


In the interest of product improvement Green Power Semiconductors reserves the right to change any specification given in this data sheet without notice.

**Type GC70SN...F: suggested insulator/bolt types**

Allowed clearance S			Insulator choice		Bolt choice		Max height
S' Min[mm]**	S Min [mm]	SMax [mm]	(3)	Ins. Lenght [mm]	(4)	Bolt Lenght [mm]	T [mm]
47	51	58	B	70	A	110	122
57	61	68	B/C	70/95*	B	120	132
67	71	78	C	95	C	130	142
77	81	88	C	95	D	140	152
87	91	98	C/D	95/120	E	150	162
97	101	108	D	120	F	160	172

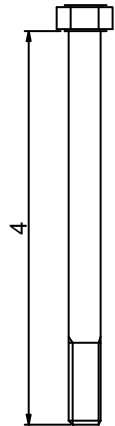
\*\* with additional metal spacer only



**Type GC70SR...F: suggested insulator/bolt types**

Allowed clearance S			Insulator choice		Bolt choice		Max height
S' Min[mm]**	S Min [mm]	SMax [mm]	(3)	Ins. Lenght [mm]	(4)	Bolt Lenght [mm]	T [mm]
62	66	73	B	70	A	110	137
72	76	83	B	70	B	120	147
82	86	93	B/C	70/95	C	130	157
92	96	103	C/D	95	D	140	167
102	106	113	C/D	95/120	E	150	177
112	116	123	D	120	F	160	187

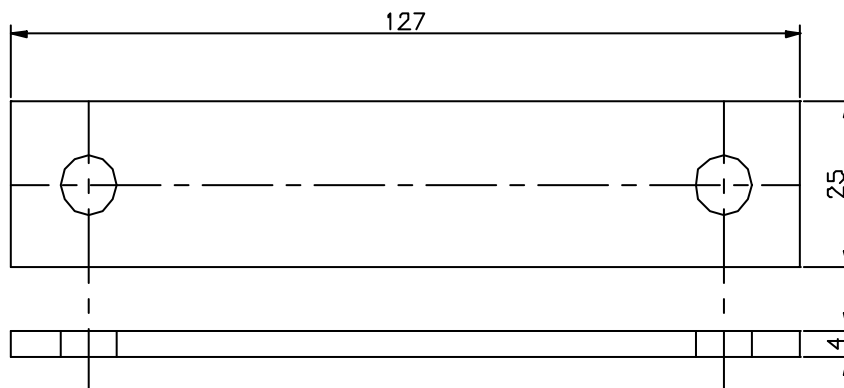
\*\* with additional metal spacer only



**SPECIAL ACCESSORIES**

The following special accessories are available

**Metal spacer**



In the interest of product improvement Green Power Semiconductors reserves the right to change any specification given in this data sheet without notice.