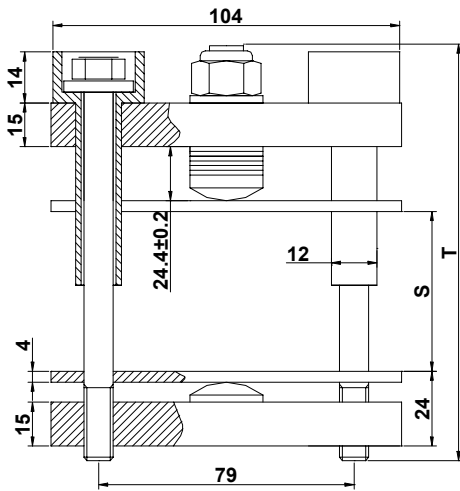


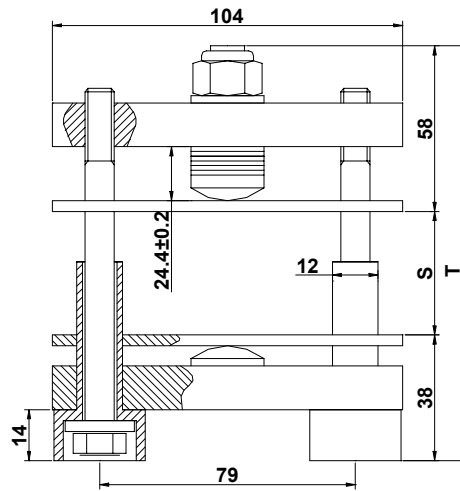
GC79...R

BAR CLAMP FOR HOCKEY PUKS

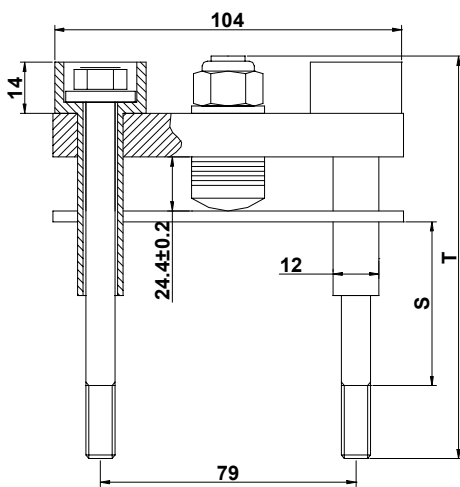
- Various lengths of bolts and insulators
- Round shaped clamping head for optimal clamping force application
- Pre-loaded to the specific clamping force
- Four clamps styles
- Gold iridite plating
- User friendly clamping force indicator
- UL94 certified insulation material



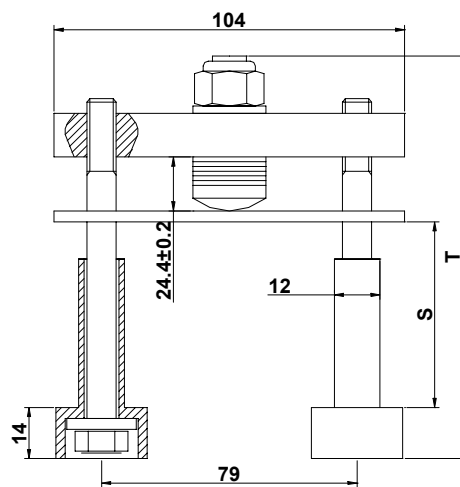
GC79BN...R



GC79BR...R




GC79SN...R



GC79SR...R

Dimensions in millimeters

T: Max total height (see table)
S: Clearance allowed (see table)

Parameter	Unit	Types/Testing conditions/Notes	Values	
			Min	Max
Weight	g	GC79S...	550	650
		GC79B...	830	970
Clamping Force*	kN	GC79...10	10	
		GC79...12	12	
		GC79...15	15	
		GC79...20	20	
Insulation Voltage	V _{RMS}	1 min	3000	
Insulating Material		UL File: E121562	 Noryl ®	
Max. working temperature	°C		110	
Min. working temperature	°C		-30	
Storage temperature	°C		-40/110	

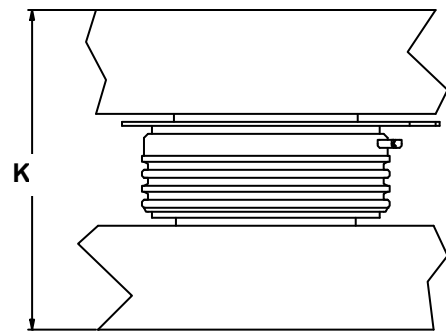
* Other clamping forces available: contact factory

ORDERING INFORMATION TABLE

Clamps can be ordered using the following part numbering system



(1) Construction type:	B = with double bar S = with single bar
(2) Insulator position:	N = upper side R = lower side
(3) Insulator code:	see table below
(4) Bolt code:	see table below
(5) Clamping force (in kN):	10
	12
	15
	20
(6) Special accessories	blank = no accessories
	S = extra metal spacer
	D = pressure disc in place of pressure bar



K: Total thickness of the assembly to be clamped

For thicknesses $S'_{Min} < K < S_{Min}$ an additional 4 mm thick metal spacer is needed (see list of special accessories)

Type GC79BN...: suggested insulator/bolt types

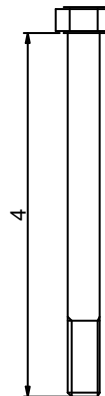
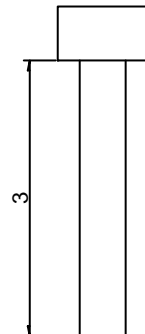
Allowed clearance S			Insulator choice		Bolt choice		Max height
S' Min [mm]**	S Min [mm]	SMax [mm]	(3)	Ins. Lenght [mm]	(4)	Bolt Lenght [mm]	T [mm]
28	32	39	B	70	A	110	120
38	42	49	B	70	B	120	130
48	52	59	B/C	70/95**	C	130	140
58	62	69	C	95	D	140	150
68	72	79	C	95	E	150	160
78	82	89	D	120	F	160	170

** with additional metal spacer only

Type GC79BR...: suggested insulator/bolt types

Allowed clearance S			Insulator choice		Bolt choice		Max height
S' Min [mm]**	S Min [mm]	SMax [mm]	(3)	Ins. Lenght [mm]	(4)	Bolt Lenght [mm]	T [mm]
28	32	39	A	50	A	110	134
38	42	49	A	50	B	120	144
48	52	59	A/B	50/70	C	130	154
58	62	69	B	70	D	140	164
68	72	79	B/C	70/95	E	150	174
78	82	89	C	95	F	160	184

** with additional metal spacer only

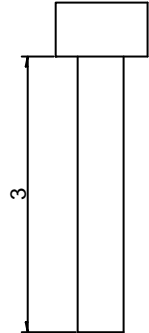


In the interest of product improvement Green Power Semiconductors reserves the right to change any specification given in this data sheet without notice.

Type GC79SN...: suggested insulator/bolt types

Allowed clearance S			Insulator choice		Bolt choice		Max height
S' Min[mm]**	S Min [mm]	SMax [mm]	(3)	Ins. Lenght [mm]	(4)	Bolt Lenght [mm]	T [mm]
37	41	48	B	70	A	110	120
47	51	58	B	70	B	120	130
57	61	68	B/C	70/95	C	130	140
67	71	78	C	95	D	140	150
77	81	88	C/D	95/120	E	150	160
87	91	98	D	120	F	160	170

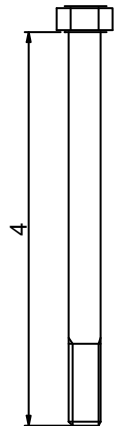
** with additional metal spacer only



Type GC79SR...: suggested insulator/bolt types

Allowed clearance S			Insulator choice		Bolt choice		Max height
S' Min[mm]**	S Min [mm]	SMax [mm]	(3)	Ins. Lenght [mm]	(4)	Bolt Lenght [mm]	T [mm]
52	56	63	A	50	A	110	134
62	66	73	A	50	B	120	144
72	76	83	A/B	50/70	C	130	154
82	86	93	B	70	D	140	164
92	96	103	B/C	70/95	E	150	174
102	106	113	C	95	F	160	184

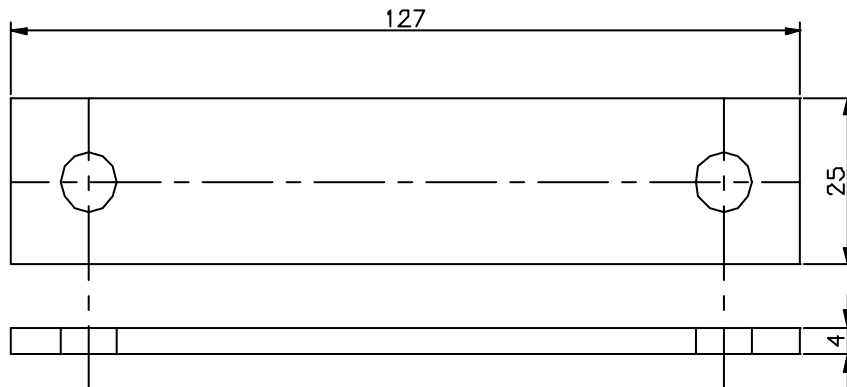
** with additional metal spacer only



SPECIAL ACCESSORIES

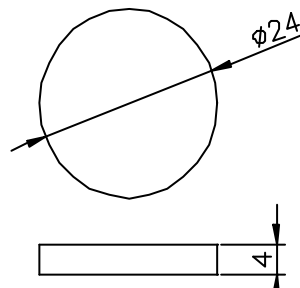
The following special accessories are available

Metal spacer



Pressure disc

Suggested groove diameter 27mm +/- 0.5



In the interest of product improvement Green Power Semiconductors reserves the right to change any specification given in this data sheet without notice.