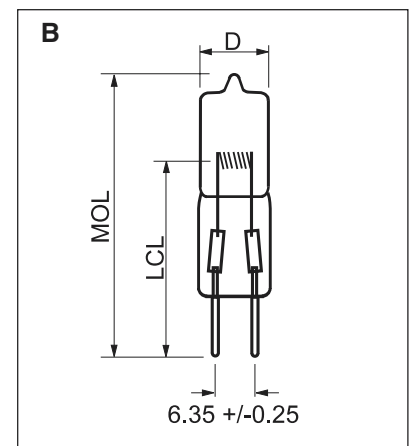


Miniature Quartz Halogen Lamps

Line No.	Part No.	Volts	Watts	Lumens	Color Temp.		Life Hours	Burning Position	Filament Type	Filament		Dimensions		Base Type	Drawing	
					Degrees Kelvin	Degrees Kelvin				Lgth. x Dia.	D	MOL	LCL			
1	L7387	6.0	10	180	3,150		100	Any	C-6	2.5	0.6	9.0	30.0	19.5±0.25	G-4	A
2	L6402	6.0	10	130	2,850		2,000	Any	C-6	3.0	0.7	9.0	30.0	19.5±0.25	G-4	A
3	L6414	6.0	10	150	2,950		1,000	Any	C-6	2.8	0.6	9.0	30.0	19.5±0.25	G-4	A
4	L7388	6.0	20	420	3,200		100	Any	C-6	2.1	1.0	9.0	30.0	19.5±0.25	G-4	A
5	L7394	6.0	20	350	3,000		2,000	Any	C-6	2.9	1.0	9.0	30.0	19.5±0.25	G-4	A
6	L6415	12.0	10	120	2,800		2,000	Any	C-6	3.4	0.7	9.0	30.0	19.5±0.25	G-4	A
7	L6416	12.0	15	210	2,900		1,000	Any	C-6	3.8	0.7	9.0	30.0	19.5±0.25	G-4	A
8	L6417	12.0	10	130	2,850		1,000	Any	C-6	4.25	0.35	9.0	30.0	18.75±0.25	G-4	A
9	L7401	12.0	20	420	3,150		250	Any	C-6	2.6	1.0	9.0	30.0	19.5±0.25	G-4	A
10	L7404	12.0	20	350	3,000		2,000	Any	C-6	3.3	0.9	9.0	30.0	19.5±0.25	G-4	A
11	L7404A	12.0	20	280	2,850		2,000	Any	C-6	4.0	0.7	9.0	30.0	19.5±0.25	G-4	A
12	L7414A	12.0	35	560	2,900		2,000	Any	C-6	4.8	1.1	9.0	30.0	19.5±0.25	G-4	A

Recommended Holders/Sockets Pages 28 & 29



Quartz Halogen Lamps

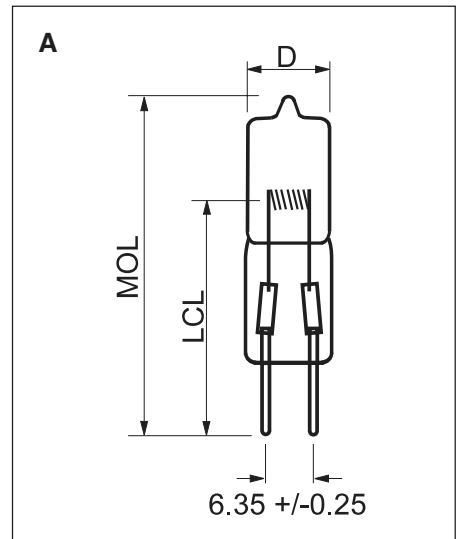
Line No.	Part Reference No.	Volts	Watts	Lumens	Color Temp.		Life Hours	Life Position	Burning Type	Filament		Dimensions		Base Type	Drawing
					Degrees Kelvin	Degrees Kelvin				Lgth. x Dia.	D	MOL	LCL		
13	L7417	---	12.0	50	900	3,000	2,000	Any	C-Bar-6	4.2 x 2.5	11.0	44.0	30.0	GY6.35	B
14	L7389A	---	12.0	50	900	3,000	2,000	Any	C-6	4.2 x 1.5	11.0	44.0	30.0±0.25	GY6.35	B
15	L7386A	---	12.0	75	1,400	3,000	2,000	*	C-6	5.0 x 1.8	11.0	44.0	30.0±0.25	GY6.35	B
16	L7390A	---	12.0	100	2,000	3,000	2,000	*	C-6	5.2 x 2.28	11.0	44.0	30.0±0.25	GY6.35	B
17	L7407	FCS	12.0	100	3,000	3,400	50	*	C-Bar 6	5.3 x 3.0	11.0	44.0	30.0±0.25	GY6.35	B
18	L6405	FCS	24.0	150	4,700	3,400	50	*	C-Bar 6	6.2 x 3.1	13.5	50.0	32.0±0.5	G6.35	B

Recommended Holders/Sockets Pages 32 & 33

Telephone: 781-935-4442
Fax: 781-938-5867

sales@gilway.com
www.gilway.com

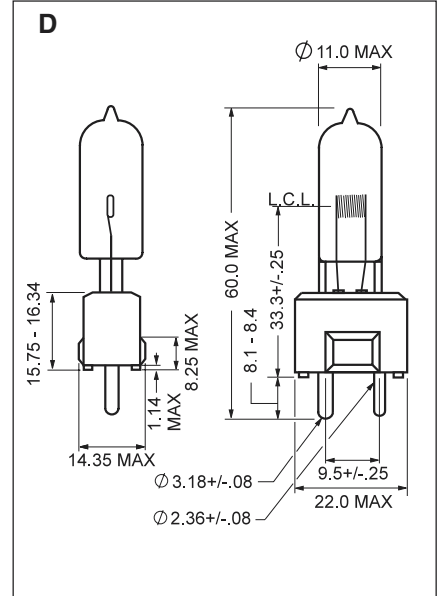
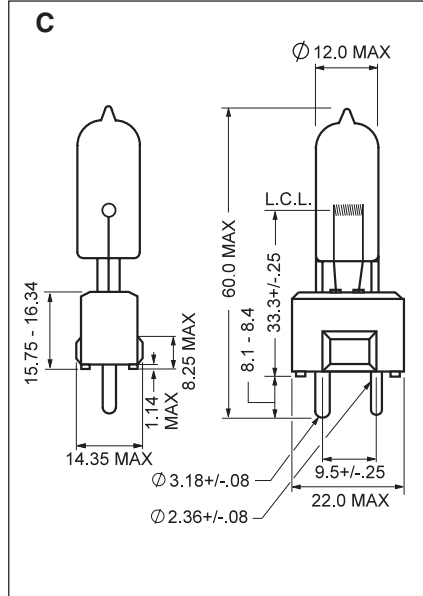
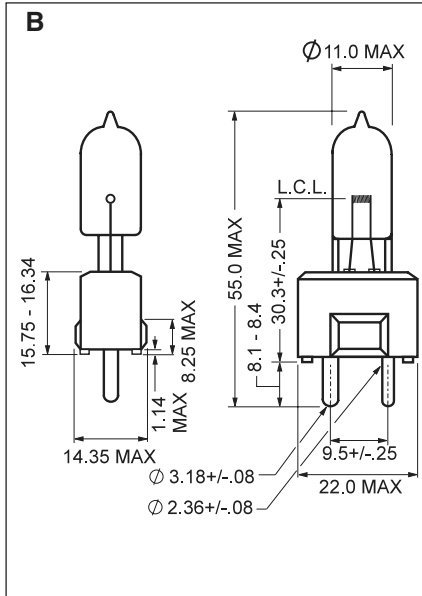
Gilway
Technical Lamp
Engineering Catalog 169



Quartz Halogen Projection Lamps

Line No.	Part No.	Volts	Watts	Lumens	Color Temp.		Life Hours	Burning Position	Filament Type	Filament Dimensions Lgth. x Dia.	Dimensions			Base Type	Drawing
					Degrees Kelvin	Kelvin					D	MOL	LCL		
1	L7418	24	250	6,750	3,250	3,250	300	Any*	C-Bar-6	7.2 x 3.4	14.5	57	33	GY6.35	A
2	L7419	36	400	14,000	3,400	3,400	50	Any*	C-Bar-6	9.0 x 4.6	18.0	60	36	GY6.35	A
3	L7420	36	400	10,500	3,250	3,250	300	Any*	C-Bar-6	11.8 x 4.6	19.5	60	36	GY6.35	A
4	L7421	120	100	1,900	3,000	3,000	200	Any*	CC-6	7.0 x 2.6	13.5	50	30	GY6.35	A
5	L7422	120	150	3,300	3,050	3,050	200	Any*	CC-6	7.1 x 3.1	13.5	50	30	GY6.35	A
6	L7423	120	250	5,750	3,100	3,100	300	Any*	CC-6	10.5 x 3.6	16.0	50	33	GY6.35	A

* Seal Temperature Must Not Exceed 350°C. Recommended Holders/Sockets Pages 32 & 33



Precision Quartz Halogen Lamps, Prefocused Filaments

Line No.	Part No.	Volts	Watts	Lumens	Color Temp.		Life Hours	Burning Position	Filament Type	Filament Dimensions Lgth. x Dia.	Dimensions			Base Type	Dwg
					Degrees Kelvin	Kelvin					D	MOL	LCL		
7	L9404	12.0	20	300	2,700	2,700	2,000	Any	C-6	3.24 x 0.92	11.0	55.0	30.3±0.25	GY9.5	B
8	L9389	12.0	50	900	3,000	3,000	2,000	Any	C-6	4.50 x 1.64	12.0	60.0	33.3±0.25	GY9.5	C
9	L9390	12.0	100	2,400	2,990	2,990	2,000	*	C-Bar 6	5.50 x 3.00	11.0	60.0	33.3±0.25	GY9.5	D

*Base Down to Horizontal, Cooling Required L9390 Only. Recommended Holders/Sockets Page 35