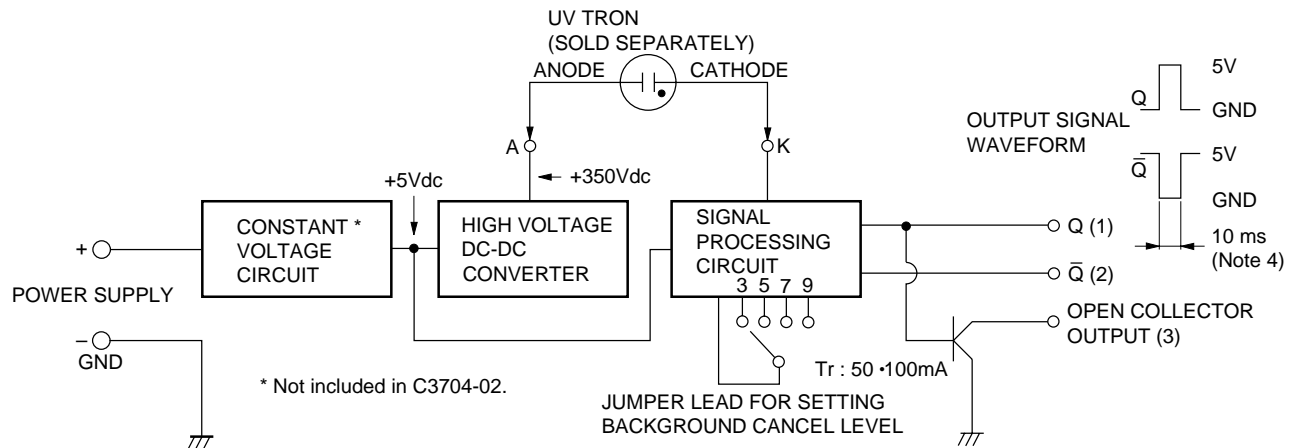




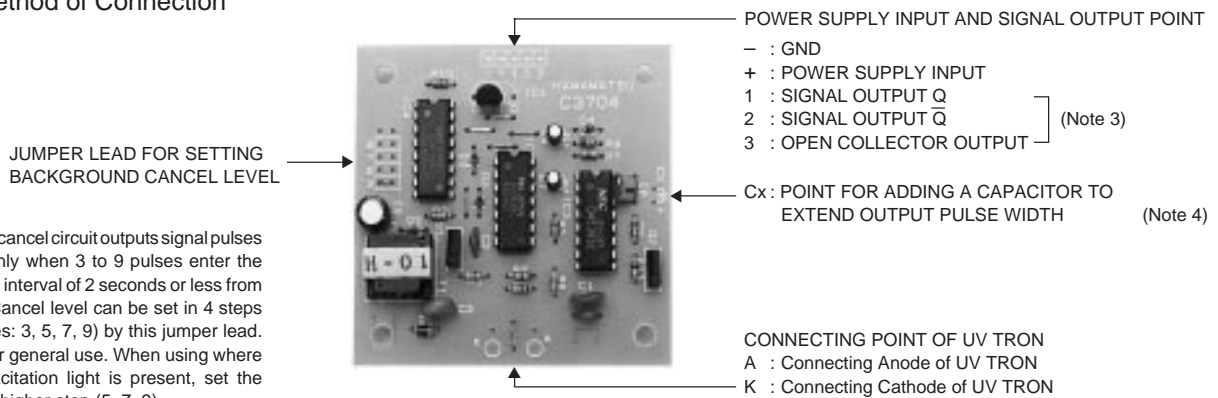
# UV TRON® DRIVING CIRCUIT C3704 SERIES

Figure 2: Schematic Diagram



TPT C0004EA

Figure 3: Method of Connection



This background cancel circuit outputs signal pulses of 10ms width only when 3 to 9 pulses enter the circuit with a time interval of 2 seconds or less from the UV TRON. Cancel level can be set in 4 steps (number of pulses: 3, 5, 7, 9) by this jumper lead. Connect to "3" for general use. When using where much natural excitation light is present, set the cancel level at a higher step (5, 7, 9).

Note 3: No load can be driven by an output from points "1" and "2" because these signals are output from the only C-MOS IC directly. When a load such as a buzzer and a relay is connected to this circuit, it should be connected to the point open collector output. The transistor ratings of the open collector is 50V, 100mA. Be careful not to exceed the ratings.

Note 4: The output pulse width is set to 10ms at shipping. If the pulse width needs to be extended, add a capacitor to this point. (When using an electrolytic condenser, make sure the polarity is correct.)  
e.g. CX = 1 μF: Pulse Width ≈ 1s, CX=10 μF: Pulse Width ≈ 10s

## PRECAUTIONS FOR USE

- Since the operation impedance is extremely high, the UV TRON should be connected as close as possible to the circuit board within 5 cm.
- Take care to avoid external noise since a C-MOS IC is used in the circuit. It is recommended that the whole PC board be put in the shield box when it is used.
- To reduce current consumption, oscillating frequency is very low (approx. 20 Hz) in this DC-DC converter. Thus, the output impedance of the high voltage power supply is extremely high. If the surrounding humidity is high, electrical leakage on the PC board surface may lead to a drop in the supply voltage to the UV TRON. This voltage drop may result in lowered detection performance, so a moistureproof material (silicone compound, etc.) should be applied at the connecting point of the UV TRON, etc., if using the unit in a humid environment.

- A model equipped with a flame sensor (R2868) is also available.

# HAMAMATSU

HAMAMATSU PHOTONICS K.K., Electron Tube Center  
314-5, Shimokanzo, Toyooka-village, Iwata-gun, Shizuoka-ken, 438-0193, Japan, Telephone: (81)539/62-5248, Fax: (81)539/62-2205, Telex: 4225-186HAMAHQ

U.S.A.: Hamamatsu Corporation: 360 Foothill Road, Bridgewater, N.J. 08807-0910, U.S.A., Telephone: (1)908-231-0960, Fax: (1)908-231-1218

Germany: Hamamatsu Photonics Deutschland GmbH: Arzbergerstr. 10, D-82211 Herrsching am Ammersee, Germany, Telephone: (49)8152-375-0, Fax: (49)8152-2658

France: Hamamatsu Photonics France S.A.R.L.: 8, Rue du Saule Trapu, Parc du Moulin de Massy, 91882 Massy Cedex, France, Telephone: (33)1 69 53 71 00, Fax: (33)1 69 53 71 10

United Kingdom: Hamamatsu Photonics UK Limited: Lough Point, 2 Gladbeck Way, Windmill Hill, Enfield, Middlesex EN2 7JA, United Kingdom, Telephone: (44)181-367-3560, Fax: (44)181-367-6384

North Europe: Hamamatsu Photonics Norden AB: Färögatan 7, S-164-40 Kista, Sweden, Telephone: (46)8-703-29-50, Fax: (46)8-750-58-95

Italy: Hamamatsu Photonics Italia S.R.L.: Via Della Moia, 1/E 20020 Arese, (Milano), Italy, Telephone: (39)2-935 81 733, Fax: (39)2-935 81 741

TPT1007E01  
JUL.1997 CR  
Created in Japan