

### Compact Bench-top Type Multipurpose Power Supply Multiple Outputs of $\pm 5$ V, $\pm 15$ V and High Voltage

#### FEATURES

- Compact bench-top type
- Multiple outputs of  $\pm 5$  V,  $\pm 15$  V and high voltage (-200 V to -1500 V)
- High stability

The C3830 is a bench-top type multipurpose power supply incorporating a high voltage power supply that provides maximum output of -1.5 kV for a photomultiplier tube and constant voltage power supplies that provide  $\pm 5$  V and  $\pm 15$  V for peripheral devices such as Hamamatsu preamplifiers and photon counting units. The four digit digital voltmeter on the front panel shows the output value of high voltage with high accuracy.



#### SPECIFICATIONS

Parameter	High Voltage Power Supply Section	$\pm 5$ V Power Supply Section	$\pm 15$ V Power Supply Section
Output Voltage	(-200 to -1500) V dc (variable)	$\pm(5.00 \pm 0.25)$ V dc (fixed)	$\pm(15.00 \pm 0.75)$ V dc (fixed)
Maximum Output Current	1 mA	500 mA	200 mA
Input Regulation <sup>Ⓐ</sup>	$\pm 0.005$ % Typ.	$\pm 0.005$ % Typ.	$\pm 0.015$ % Typ.
Load Regulation <sup>Ⓑ</sup>	$\pm 0.01$ % Typ.	$\pm 0.5$ % Typ.	$\pm 0.5$ % Typ.
Ripple/noise <sup>Ⓒ</sup>	0.005 %p-p Typ.	0.16 % p-p Typ.	0.06 %p-p Typ.
Drift <sup>Ⓓ</sup>	$\pm 0.03$ %/h Typ.	$\pm 0.05$ %/h Typ.	$\pm 0.05$ %/h Typ.
Temperature Coefficient	$\pm 0.03$ %/°C Typ.	$\pm 0.03$ %/°C Typ.	$\pm 0.03$ %/°C Typ.
Output Receptacle	One SHV receptacle	Two 4-pin receptacles (HIROSE SR30-10R-4S)	One 4-pin receptacle (MIYAMA MC-032)
High Voltage Output Monitor	4-digit display	—	—
High Voltage Output Monitoring Accuracy	$\pm 0.5$ % Typ.	—	—
Input Line Voltage	(100 $\pm$ 10) V ac, (120 $\pm$ 12) V ac, (230 $\pm$ 23) V ac, (To be selected on order)		
Input Line Voltage Frequency	50 Hz to 60 Hz		
Power Consumption <sup>Ⓓ</sup>	Approx. 50 VA Max.		
Operating Temperature/ Humidity Range <sup>Ⓔ</sup>	0 °C to +40 °C, 90 % RH Max.		
Characteristics Guaranteed Temperature/Humidity Range <sup>Ⓕ</sup>	+5 °C to +35 °C, 85 % RH Max.		
Storage Temperature/ Humidity Range <sup>Ⓖ</sup>	-20 °C to +50 °C, 95 % RH Max.		
Dimensions <sup>Ⓕ</sup>	255 mm(W) $\times$ 54 mm(H) $\times$ 230 mm(D)		
Weight	Approx. 2.8 kg		

Ⓐ: For 10 % change in line voltage

Ⓑ: For 0 % to 100 % change in load

Ⓒ: At the maximum output

Ⓓ: After 30-minute warm-up

Ⓔ: Without moisture condensation

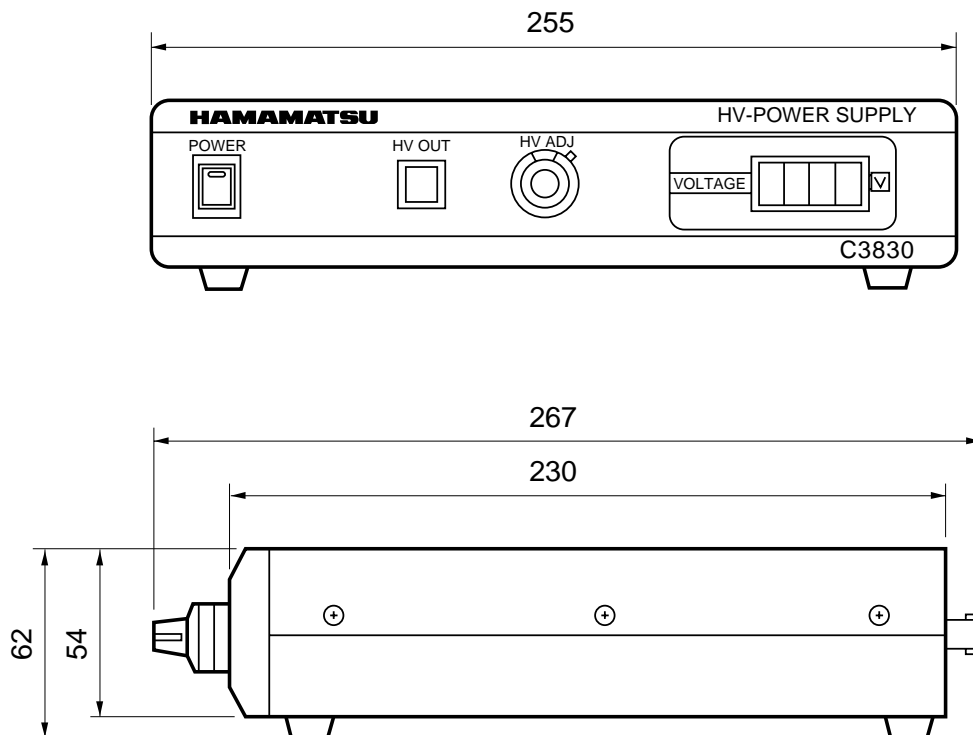
Ⓕ: Excluding projecting parts

# COMPACT BENCH-TOP TYPE REGULATED DC POWER SUPPLY C3830

## ACCESSORIES

1. High voltage output cable (1.5 m long) terminated with SHV-P plugs (E1168-17) ..... 1
2. Spare fuses ..... 2
3.  $\pm 5$  V mating plugs (HIROSE SR30-10PE-4P) ..... 2
4.  $\pm 15$  V mating plug (MIYAMA MC-032) ..... 1
5. Instruction manual ..... 1

## DIMENSIONAL OUTLINES (Unit: mm)



TACCA0016EB

# HAMAMATSU

HOME PAGE URL <http://www.hamamatsu.com>

HAMAMATSU PHOTONICS K.K., Electron Tube Center

314-5, Shimokanzo, Toyooka-village, Iwata-gun, Shizuoka-ken, 438-0193, Japan, Telephone: (81)539/62-5248, Fax: (81)539/62-2205

U.S.A.: Hamamatsu Corporation: 360 Foothill Road, P. O. Box 6910, Bridgewater. N.J. 08807-0910, U.S.A., Telephone: (1)908-231-0960, Fax: (1)908-231-1218

Germany: Hamamatsu Photonics Deutschland GmbH: Arzbergerstr. 10, D-82211 Herrsching am Ammersee, Germany, Telephone: (49)8152-375-0, Fax: (49)8152-2658

France: Hamamatsu Photonics France S.A.R.L.: 8, Rue du Saule Trapu, Parc du Moulin de Massy, 91882 Massy Cedex, France, Telephone: (33)1 69 53 71 00, Fax: (33)1 69 53 71 10

United Kingdom: Hamamatsu Photonics UK Limited: Lough Point, 2 Gladbeck Way, Windmill Hill, Enfield, Middlesex EN2 7JA, United Kingdom, Telephone: 44(20)8-367-3560, Fax: 44(20)8-367-6384

North Europe: Hamamatsu Photonics Norden AB: Smidesvägen 12, SE-171-41 SOLNA, Sweden, Telephone: (46)8-509-031-00, Fax: (46)8-509-031-01

Italy: Hamamatsu Photonics Italia: S.R.L.: Strada della Moia, 1/E, 20020 Arese, (Milano), Italy, Telephone: (39)02-935 81 733, Fax: (39)02-935 81 741

TACC1001E03  
DEC. 1999 SI  
Printed in Japan (1000)