

Laser diode

L8347/L7892 series

Pigtail type, 1.3 μm , 1.25, 2.5 Gbps



L8347 and L7892 series are high-speed infrared emitter devices specifically developed for 1.3 μm band optical fiber communications. These devices incorporate a high-speed Fabry-Perot laser diode integrated in a pig-tail module. Packages are available with various connectors and mounting styles.

Features

- High-speed Fabry-Perot laser diode
L8347 series: 1.25 Gbps
L7892 series: 2.5 Gbps
- Compatible with single-mode optical fiber

Applications

- Optical fiber communications
- Fiber channel
- Gigabit ethernet
- HDTV
- SDH

■ Absolute maximum ratings (Ta=25 °C)

Parameter	Symbol	L8347 series	L7892 series	Unit
Forward current	IF	Ith + 14 (DC)	Ith + 16 (DC)	mA
		Ith + 28 (pulse) *	Ith + 32 (pulse) *	mA
Reverse voltage (laserdiode)	VR	2		V
Reverse voltage (photodiode)	VRm	20		V
Operating temperature	Topr	-20 to +70		°C
Storage temperature	Tstg	-40 to +70		°C

* Duty ratio: 50 %

■ Electrical and optical characteristics (Typ. Ta=25 °C, IF=Ith +10 mA)

Parameter	Symbol	L8347 series	L7892 series	Unit
Peak wavelength	λ_p	1.31	1.31	μm
Forward voltage	VF	1.1	1.1	V
Threshold current	Ith	6	9	mA
Fiber end output	PF	0.1	0.3	mW
Rise time	tr	250	200	ps
Data rate	B	1.25	2.5	Gbps
Monitor current (photodiode)	Im	0.4	0.5	mA

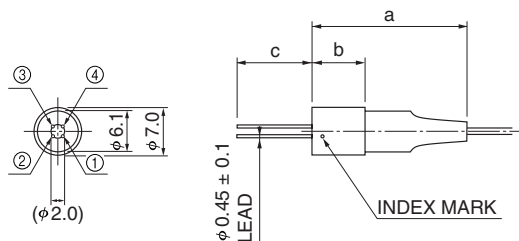
■ Package lineup

Configuration		L8347/L7892					
		-11	-12	-21	-22	-31	-32
Module	Mounting style	Coaxial		Board		Panel	
	Dimensional outline	①		②		③	
Fiber	Type	SM (9.5/125) ϕ 0.9					
	Length	1 m +20 cm/-0 cm					
Connector	Type	SC	FC	SC	FC	SC	FC
	Dimensional outline	④	⑤	④	⑤	④	⑤

■ Dimensional outline (unit: mm, tolerance unless otherwise noted: ± 0.2)

Mounting type

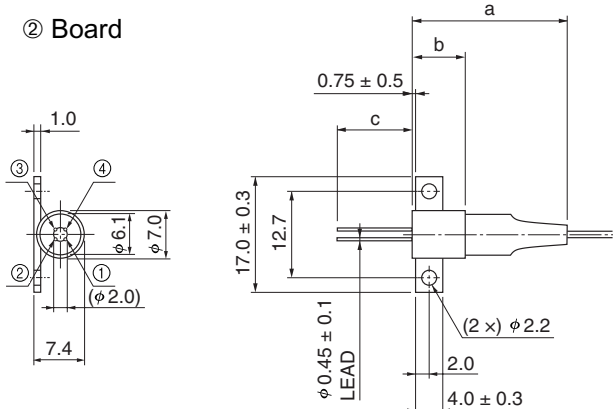
① Coaxial



	L8347-11/-12	L7892-11/-12
a	(24.1)	(22.8)
b	9.1	7.8
c	(16)	(10)

KLEDA0049EA

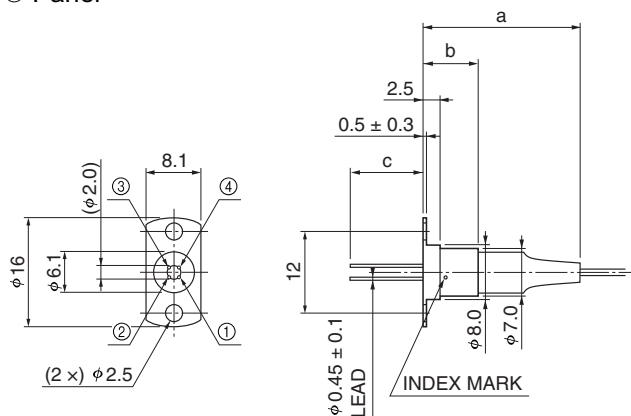
② Board



	L8347-21/-22	L7892-21/-22
a	(24.1)	(22.8)
b	9.1	7.8
c	(16)	(10)

KLEDA0050EA

③ Panel



	L8347-31/-32	L7892-31/-32
a	(24.4)	(23.1)
b	9.4 ± 0.3	8.1 ± 0.3
c	(16)	(10)

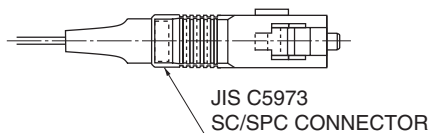
KLEDA0051EA

■ Pin connection

Pin No.	L8347 series	L7892 series
①	Anode (PD)	Cathode (PD)
②	Anode (LD)	Cathode (LD)
③	Cathode (LD)	Anode (LD)
④	Cathode (PD)	Anode (PD)

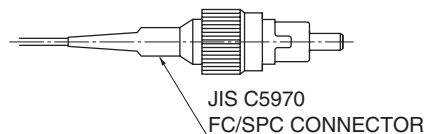
Connector

④ SC



KIRDA0102EA

⑤ FC



KIRDA0103EA