

HD14194B

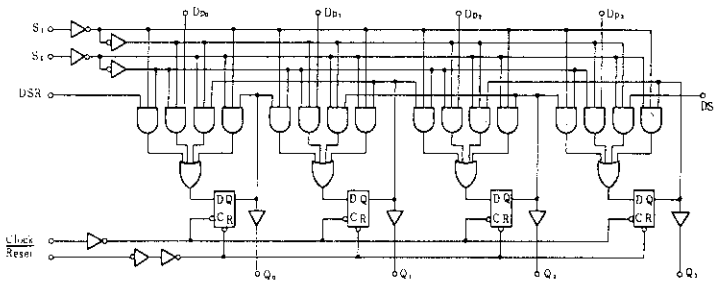
4-bit Bidirectional Universal Shift Register

The HD14194B is a 4-bit static shift register capable of operating in the parallel load, serial shift left, serial shift right, or hold mode. The asynchronous *Reset* input, when at a low level, overrides all other inputs, resets all stages, and forces all outputs low. When *Reset* is at a logic 1 level, the two mode control inputs, *S*₀ and *S*₁, control the operating mode as shown in the truth table. Both serial and parallel operation are triggered on the positive-going transition of the Clock input. The Parallel Data, Data Shift, and mode control inputs must be stable for the specified setup and hold times before and after the positive-going Clock transition.

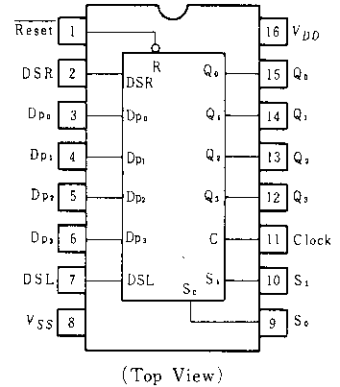
FEATURES

- Quiescent Current = 5nA/pkg typ. @5V
- Typical Shift Frequency = 9MHz @10V
- Synchronous Right/Left Serial Operation
- Synchronous Parallel Load
- Asynchronous Hold (Do Nothing) Mode
- Functional Pin-for-Pin Equivalent of 74194

LOGIC DIAGRAM



PIN ARRANGEMENT



TRUTH TABLE

Operating Mode	Inputs (Reset = 1)					Outputs (@ <i>t_{n+1}</i>)			
	<i>S</i> ₁	<i>S</i> ₀	DSR	DSL	<i>D</i> _{<i>p</i>-3}	<i>Q</i> ₀	<i>Q</i> ₁	<i>Q</i> ₂	<i>Q</i> ₃
Hold	0	0	x	x	x	<i>Q</i> ₀	<i>Q</i> ₁	<i>Q</i> ₂	<i>Q</i> ₃
	1	0	x	0	x	<i>Q</i> ₁	<i>Q</i> ₂	<i>Q</i> ₃	0
Shift Left	0	1	0	x	x	0	<i>Q</i> ₀	<i>Q</i> ₁	<i>Q</i> ₂
	0	1	1	x	x	1	<i>Q</i> ₀	<i>Q</i> ₁	<i>Q</i> ₂
Parallel	1	1	x	x	0	0	0	0	0
	1	1	x	x	1	1	1	1	1

x = Don't Care

t_{n+1} = State after the next positive-going transition of the clock.

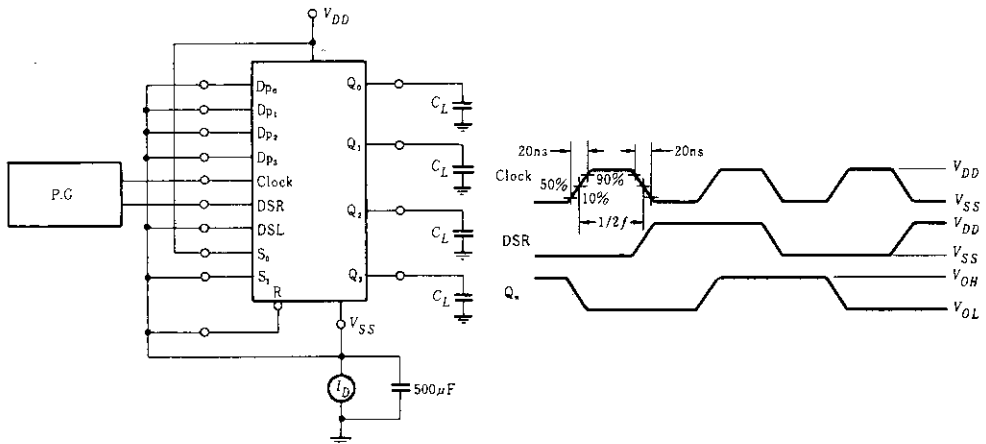
■ ELECTRICAL CHARACTERISTICS

Characteristic	Symbol	V _{DD} (V)	Test Conditions	-40°C		25°C			85°C		Unit	
				min	max	min	typ	max	min	max		
Output Voltage	V _{OL}	5.0	V _{in} = V _{DD} or 0	-	0.05	-	0	0.05	-	0.05	V	
		10		-	0.05	-	0	0.05	-	0.05		
		15		-	0.05	-	0	0.05	-	0.05		
	V _{OH}	5.0		V _{in} = 0 or V _{DD}	4.95	-	4.95	5.0	-	4.95	-	V
		10			9.95	-	9.95	10	-	9.95	-	
		15			14.95	-	14.95	15	-	14.95	-	
Input Voltage	V _{IL}	5.0	V _{out} = 4.5 or 0.5V		-	1.5	-	2.25	1.5	-	1.5	V
		10	V _{out} = 9.0 or 1.0V		-	3.0	-	4.50	3.0	-	3.0	
		15	V _{out} = 13.5 or 1.5V		-	4.0	-	6.75	4.0	-	4.0	
	V _{IH}	5.0	V _{out} = 0.5 or 4.5V	3.5	-	3.5	2.75	-	3.5	-	V	
		10	V _{out} = 1.0 or 9.0V	7.0	-	7.0	5.50	-	7.0	-		
		15	V _{out} = 1.5 or 13.5V	11.0	-	11.0	8.25	-	11.0	-		
Output Drive Current	I _{OH}	5.0	V _{OH} = 2.5V	-2.5	-	-2.1	-4.2	-	-1.7	-	mA	
		5.0	V _{OH} = 4.6V	-0.52	-	-0.44	-0.88	-	-0.36	-		
		10	V _{OH} = 9.5V	-1.3	-	-1.1	-2.25	-	-0.9	-		
		15	V _{OH} = 13.5V	-3.6	-	-3.0	-8.8	-	-2.4	-		
	I _{OL}	5.0	V _{OL} = 0.4V	0.52	-	0.44	0.88	-	0.36	-	mA	
		10	V _{OL} = 0.5V	1.3	-	1.1	2.25	-	0.9	-		
15		V _{OL} = 1.5V	3.6	-	3.0	8.8	-	2.4	-			
Input Current	I _{in}	15		-	±0.3	-	±0.0001	±0.3	-	±1.0	μA	
Input Capacitance	C _{in}	-	V _{in} = 0	-	-	-	5.0	7.5	-	-	pF	
Quiescent Current	I _{DD}	5.0	Zero Signal, per Package	-	20	-	0.005	20	-	150	μA	
		10		-	40	-	0.010	40	-	300		
		15		-	80	-	0.015	80	-	600		
Total Supply Current*	I _T	5.0	Dynamic + I _{DD}	-	-	-	0.95	-	-	-	μA	
		10	C _L = 50pF, f = 1kHz	-	-	-	1.9	-	-	-		
		15	per Gate	-	-	-	2.9	-	-	-		

* To calculate total supply current at frequency other than 1kHz.

Ⓢ V_{DD} = 5.0V I_T = (0.95μA/kHz)f + I_{DD} Ⓢ V_{DD} = 10V I_T = (1.9μA/kHz)f + I_{DD} Ⓢ V_{DD} = 15V I_T = (2.9μA/kHz)f + I_{DD}

■ POWER DISSIPATION TEST CIRCUIT AND WAVEFORM



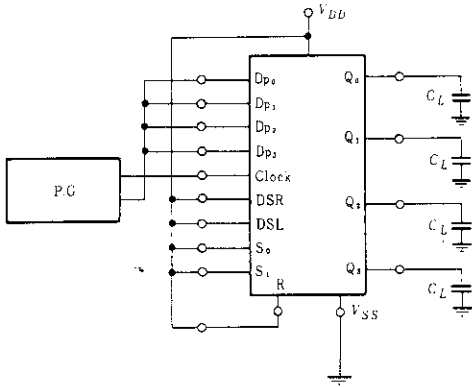
SWITCHING CHARACTERISTICS ($C_L=50\text{pF}$, $T_a=25^\circ\text{C}$)

Characteristic		Symbol	$V_{DD}(\text{V})$	min	typ	max	Unit
Output Rise and Fall Time		t_r, t_f	5.0	—	100	200	ns
			10	—	50	100	
			15	—	40	80	
Propagation Delay Time	Clock	t_{PLH} t_{PHL}	5.0	—	275	550	ns
			10	—	110	220	
			15	—	85	170	
	Reset	t_{PHL}	5.0	—	350	700	ns
			10	—	140	280	
			15	—	110	220	
Clock Pulse Width		PW_C	5.0	280	140	—	ns
			10	110	55	—	
			15	85	40	—	
Reset Pulse Width		PW_R	5.0	180	90	—	ns
			10	70	35	—	
			15	50	26	—	
Clock Frequency		PRF	5.0	—	3.6	1.8	MHz
			10	—	9.0	4.5	
			15	—	12	6.0	
Clock Pulse Rise and Fall Time		t_r, t_f	5.0	No Limit			
			10				
			15				
Setup Time	Data-to-Clock	t_{setup}	5.0	10	-8.0	—	ns
			10	20	0	—	
			15	40	9.0	—	
	Mode Control -to-Clock		5.0	200	100	—	
			10	75	36	—	
			15	55	27	—	
Hold Time	Data-to-Clock	t_{hold}	5.0	180	90	—	ns
			10	50	25	—	
			15	35	10	—	
	Mode Control -to-Clock		5.0	0	-40	—	
			10	0	-27	—	
			15	0	-20	—	
Reset Removal Time*		t_{rem}	5.0	300	150	—	ns
			10	110	55	—	
			15	80	40	—	

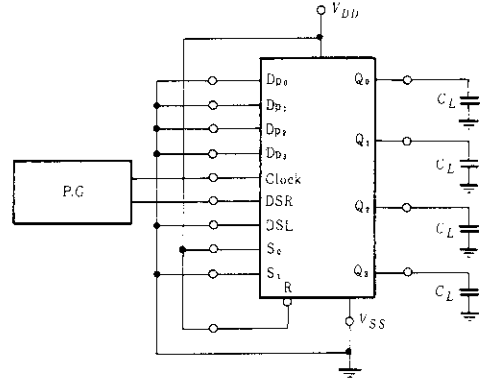
* The reset signal must be high prior to a positive-going transition of the clock.

DC CHARACTERISTIC TEST CIRCUIT

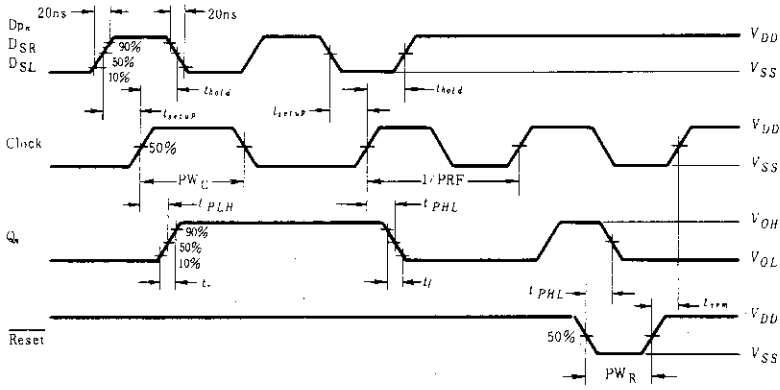
● Parallel Load



● Serial Load



Interchange DSR with DSL and S_0 with S_i for testing shift left.





Hitachi Code	DP-16
JEDEC	Conforms
EIAJ	Conforms
Weight (reference value)	1.07 g

Cautions

1. Hitachi neither warrants nor grants licenses of any rights of Hitachi's or any third party's patent, copyright, trademark, or other intellectual property rights for information contained in this document. Hitachi bears no responsibility for problems that may arise with third party's rights, including intellectual property rights, in connection with use of the information contained in this document.
2. Products and product specifications may be subject to change without notice. Confirm that you have received the latest product standards or specifications before final design, purchase or use.
3. Hitachi makes every attempt to ensure that its products are of high quality and reliability. However, contact Hitachi's sales office before using the product in an application that demands especially high quality and reliability or where its failure or malfunction may directly threaten human life or cause risk of bodily injury, such as aerospace, aeronautics, nuclear power, combustion control, transportation, traffic, safety equipment or medical equipment for life support.
4. Design your application so that the product is used within the ranges guaranteed by Hitachi particularly for maximum rating, operating supply voltage range, heat radiation characteristics, installation conditions and other characteristics. Hitachi bears no responsibility for failure or damage when used beyond the guaranteed ranges. Even within the guaranteed ranges, consider normally foreseeable failure rates or failure modes in semiconductor devices and employ systemic measures such as fail-safes, so that the equipment incorporating Hitachi product does not cause bodily injury, fire or other consequential damage due to operation of the Hitachi product.
5. This product is not designed to be radiation resistant.
6. No one is permitted to reproduce or duplicate, in any form, the whole or part of this document without written approval from Hitachi.
7. Contact Hitachi's sales office for any questions regarding this document or Hitachi semiconductor products.

HITACHI

Hitachi, Ltd.

Semiconductor & Integrated Circuits.
Nippon Bldg., 2-6-2, Ohte-machi, Chiyoda-ku, Tokyo 100-0004, Japan
Tel: Tokyo (03) 3270-2111 Fax: (03) 3270-5109

URL North America : <http://semiconductor.hitachi.com/>
 Europe : <http://www.hitachi-eu.com/hel/ecg>
 Asia (Singapore) : <http://www.has.hitachi.com.sg/grp3/sicd/index.htm>
 Asia (Taiwan) : http://www.hitachi.com.tw/E/Product/SICD_Frame.htm
 Asia (HongKong) : <http://www.hitachi.com.hk/eng/bo/grp3/index.htm>
 Japan : <http://www.hitachi.co.jp/Sicd/indx.htm>

For further information write to:

Hitachi Semiconductor
(America) Inc.
179 East Tasman Drive,
San Jose, CA 95134
Tel: <1> (408) 433-1990
Fax: <1> (408) 433-0223

Hitachi Europe GmbH
Electronic components Group
Dornacher Straße 3
D-85622 Feldkirchen, Munich
Germany
Tel: <49> (89) 9 9180-0
Fax: <49> (89) 9 29 30 00

Hitachi Europe Ltd.
Electronic Components Group.
Whitebrook Park
Lower Cookham Road
Maidenhead
Berkshire SL6 8YA, United Kingdom
Tel: <44> (1628) 585000
Fax: <44> (1628) 778322

Hitachi Asia Pte. Ltd.
16 Collyer Quay #20-00
Hitachi Tower
Singapore 049318
Tel: 535-2100
Fax: 535-1533

Hitachi Asia Ltd.
Taipei Branch Office
3F, Hung Kuo Building, No.167,
Tun-Hwa North Road, Taipei (105)
Tel: <886> (2) 2718-3666
Fax: <886> (2) 2718-8180

Hitachi Asia (Hong Kong) Ltd.
Group III (Electronic Components)
7/F., North Tower, World Finance Centre,
Harbour City, Canton Road, Tsim Sha Tsui,
Kowloon, Hong Kong
Tel: <852> (2) 735 9218
Fax: <852> (2) 730 0281
Telex: 40815 HITEC HX

Copyright ' Hitachi, Ltd., 1999. All rights reserved. Printed in Japan.

HITACHI