

HD14443B, HD14447B

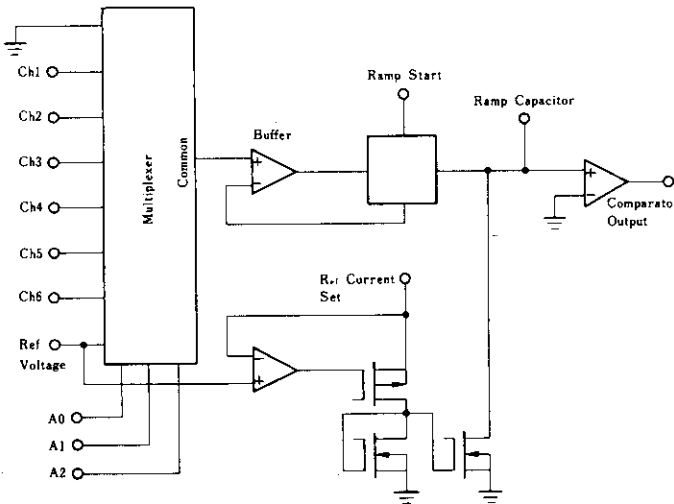
Analog to Digital Converter Linear Subsystem

The HD14443B and the HD14447B devices are 6 channel, single slope, 8 to 10 bit analog to digital converter linear subsystems for microprocessor based data and control, systems. Contained in both devices are a one of 8 decoder, an 8 channel analog multiplexer, a buffer amplifier, a precision voltage to current converter, a ramp start circuit and a comparator. The output driver of the HD14443B comparator is an open-drain N-channel capable of sinking up to 5mA of current. The output of the HD14447B comparator has a standard B-Series P-channel, N-channel pair. A processor system provides the addressing, timing, counting, and arithmetic operations required for implementing a full analog to digital converter system. A system made up of a processor and the linear subsystem has features such as automatic zeroing and variable scaling (weighting) of six separate analog channels.

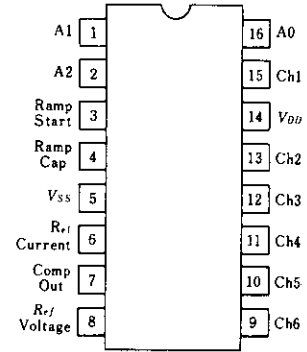
■ FEATURES

- Quiescent Current = 1.6mA typ. @5V
- Single Supply Operation = 4.5 to 18V
- MPU Compatible
- Typical Resolution = 8 bits
- Typical Conversion Cycle as Fast as 300 μ s
- Ratio Metric Conversion Minimizes Error

■ BLOCK DIAGRAM



■ PIN ARRANGEMENT



(Top View)

■ TRUTH TABLE

A2	A1	A0	Input Selected
0	0	0	V _{SS} Channel 0 (Ground)
0	0	1	Ch1 Channel 1
0	1	0	Ch2 Channel 2
0	1	1	Ch3 Channel 3
1	0	0	Ch4 Channel 4
1	0	1	Ch5 Channel 5
1	1	0	Ch6 Channel 6
1	1	1	V _{Ref} Channel 7 (External Reference)

■ ELECTRICAL CHARACTERISTICS

Characteristic	Symbol	Test Conditions	-40°C		25°C			85°C		Unit	
			min	max	min	typ	max	min	max		
Output Voltage (Comparator)	V _{OL}	V _{in} (Pin 4) = 0V	5.0	-	0.05	-	0.01	0.05	-	0.05	V
			10	-	0.05	-	0.01	0.05	-	0.05	
			15	-	0.05	-	0.01	0.05	-	0.05	
	V _{OH}	V _{in} (Pin 4) = 1.0V (R _L = 10kΩ to V _{DD} HD14443B only)	5.0	4.95	-	4.95	4.99	-	4.95	-	V
			10	9.95	-	9.95	9.99	-	9.95	-	
			15	14.95	-	14.95	14.99	-	14.95	-	
Input Voltage (A0·A1·A2·Ramp Start)	V _{IL}	V _{out} = 4.5 or 0.5V	5.0	-	1.5	-	2.25	1.5	-	1.5	V
			10	-	3.0	-	4.50	3.0	-	3.0	
			15	-	4.0	-	6.75	4.0	-	4.0	
	V _{IH}	V _{out} = 0.5 or 4.5V	5.0	3.5	-	3.5	2.75	-	3.5	-	V
			10	7.0	-	7.0	5.50	-	7.0	-	
			15	11.0	-	11.0	8.25	-	11.0	-	
Output Drive Current (Comparator)	I _{OH}	V _{in} (Pin 4) = 1.0V (HD14447B only)	5.0	V _{OH} = 2.5V	-2.5	-	-2.1	-4.2	-	-1.7	mA
			5.0	V _{OH} = 4.6V	-0.52	-	-0.44	-0.88	-	-0.36	
			10	V _{OH} = 9.5V	-1.3	-	-1.1	-2.25	-	-0.9	
			15	V _{OH} = 13.5V	-3.6	-	-3.0	-8.8	-	-2.4	
	I _{OL}	V _{in} (Pin 4) = 0V	5.0	V _{OL} = 0.4V	0.52	-	0.44	0.88	-	0.36	mA
			10	V _{OL} = 0.5V	1.3	-	1.1	2.25	-	0.9	
15			V _{OL} = 1.5V	3.6	-	3.0	8.8	-	2.4		
Input Current (A0·A1·A2·Ramp Start)	I _{in}	15		-	±0.3	-	-	±0.3	-	±1.0	μA
Input Current (Analog Inputs)	I _{in}	15		-	-	-	±0.1	±10	-	-	nA
Input Capacitance (A0·A1·A2·Ramp Start)	C _{in}	15	V _{in} = 0V	-	-	-	5.0	7.5	-	-	pF
Quiescent Current	I _{DD}	Zero Signal, per Package	5.0	-	-	-	1.6	-	-	-	mA
			10	-	-	-	3.0	-	-	-	
			15	-	-	-	3.4	-	-	-	
Crosstalk Between Any Two Input Channels	V _{cr}			-	-	-	0	4.0	-	-	mV
Reference Current Range	I _R			-	-	10	-	40	-	-	μA
Common Mode Input Voltage	V _{CM}		5.0	-	-	0	-	2.5	-	-	V
			10	-	-	0	-	7.0	-	-	
			15	-	-	0	-	12	-	-	
Buffer Amplifier Output Offset	V _{BO}		5.0	-	-	-	0.285	-	-	-	V
			10	-	-	-	0.400	-	-	-	
			15	-	-	-	0.420	-	-	-	
Comparator Threshold	V _{TC}		5.0	-	-	-	0.195	$\frac{V_{BO}}{-0.04}$	-	-	V
			10	-	-	-	0.275	$\frac{V_{BO}}{-0.04}$	-	-	
			15	-	-	-	0.290	$\frac{V_{BO}}{-0.04}$	-	-	
Reference Voltage Range	V _R		5.0	-	-	2.0	-	2.5	-	-	V
			10	-	-	2.0	-	7	-	-	
			15	-	-	2.0	-	12	-	-	
Conversion Linearity	L _C		V _{in} = V _{DD} - 3V, C > 100pF	-	-	-	0.15	0.3	-	-	% Full Scale

SWITCHING CHARACTERISTICS ($C_L=50\text{pF}$, $T_a=25^\circ\text{C}$)

Characteristic		Symbol	$V_{DD}(\text{V})$	min	typ	max	Unit
Output Rise Time (Comparator)(HD14447B only)		t_r	5.0	—	120	240	ns
			10	—	75	150	
			15	—	65	130	
Output Fall Time (Comparator)		t_f	5.0	—	250	500	ns
			10	—	350	700	
			15	—	650	1300	
Propagation Delay Time (Comparator)	HD14443B ($R_L=10\text{k}\Omega$ to V_{DD})	t_{PLH}	5.0	—	750	1500	ns
			10	—	600	1200	
			15	—	550	1100	
		t_{PHL}	5.0	—	500	1000	ns
			10	—	300	600	
			15	—	300	600	
	HD14447B	t_{PLH}	5.0	—	600	1200	ns
			10	—	475	950	
			15	—	500	1000	
		t_{PHL}	5.0	—	450	980	ns
			10	—	540	1080	
			15	—	750	1500	
Multiplexer Propagation Delay		t_M	5.0	—	300	600	ns
			10	—	200	400	
			15	—	180	360	
Ramp Start Delay Time		t_{TS}	5.0	—	40	80	ns
			10	—	25	50	
			15	—	20	40	
Acquisition Time ($C=1000\text{pF}$)*		t_A	5.0	—	—	60	μs
			10	—	—	30	
			15	—	—	28	

* Acquisition Time includes multiplexer propagation delay, ramp start propagation delay and the time required to charge ramp capacitor to the selected input voltage.

DEVICE OPERATION

- ADDRESS INPUTS SELECT (A0, A1, A2, Pins 1, 2, 16)

The input voltage source to be presented to the measurement system according to the Truth Table.

- RAMP START (Ramp Start, Pin 3)

When the Ramp Start is low, the ramp capacitor is charged to a voltage associated with the selected input channel. When the Ramp Start is brought high, the connection to the input channel is broken and the capacitor begins to ramp toward V_{SS} .

- RAMP CAPACITOR (Ramp Cap, Pin 4)

The ramp capacitor is used to generate a time period when discharged from a selected voltage via a precise reference current.

- NEGATIVE POWER SUPPLY (V_{SS} , Pin 5)

This pin is system ground.

- REFERENCE CURRENT (ref. Current, Pin 6)

To discharge the ramp capacitor, the reference current is fixed via a resistor (R_{Ref}) to a positive supply from pin 6. Typical current is equal to $(V_{DD}-V_{Ref})/R_{Ref}$.

- COMPARATOR OUTPUT (Comp Out, Pin 7)

This output is low when the capacitor has

reached the discharged voltage and is high otherwise.

- REFERENCE VOLTAGE (Ref Voltage, Pin 8)

This voltage can be set to a voltage between $V_{SS} = 2\text{V}$ and $V_{DD}-2\text{V}$. This is the known voltage to which the unknown is compared.

- INPUT CHANNELS (Pins 9, 10, 11, 12, 13, 15)

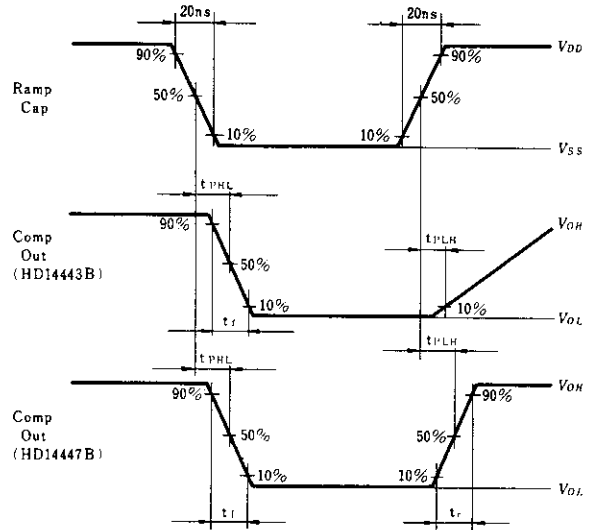
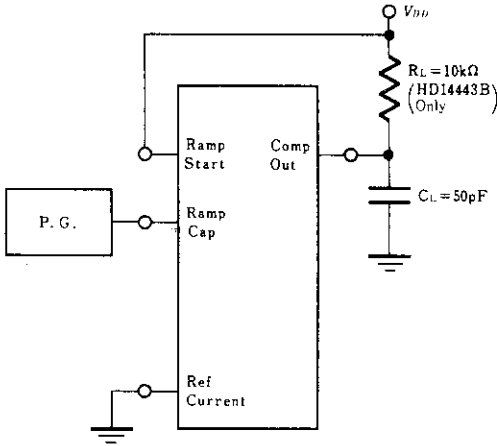
Input channels 1 through 6 are used to monitor up to six separate unknown voltage. Selection is via the address inputs.

- POSITIVE POWER SUPPLY (V_{DD} , Pin 14)

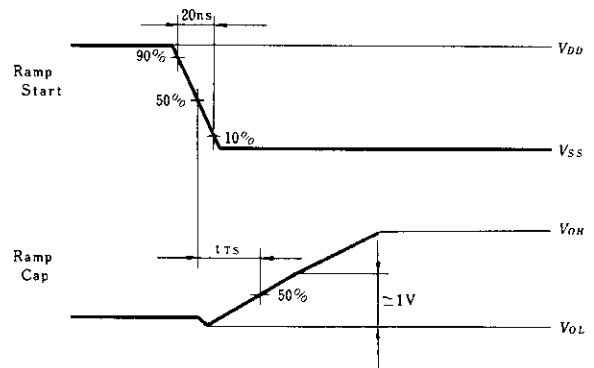
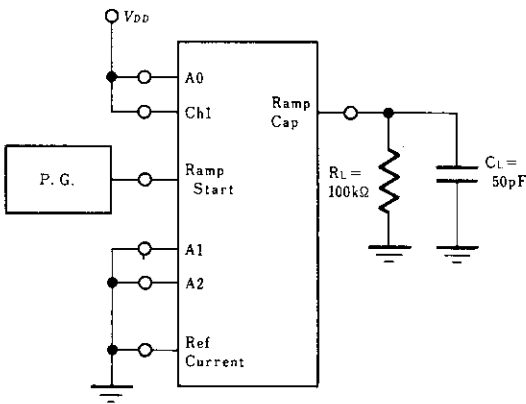
This pin is the package positive power supply pin.

■ SWITCHING TIME TEST CIRCUIT ($T_a=25^{\circ}\text{C}$)

1. $t_r, t_f, t_{PLH}, t_{PHL}$

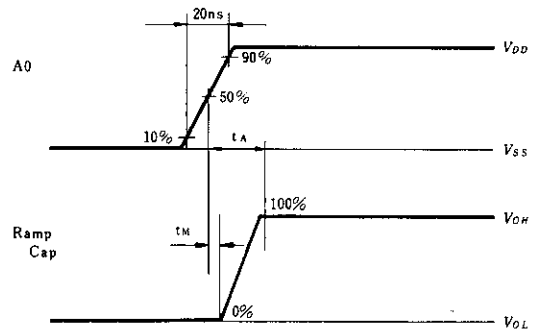
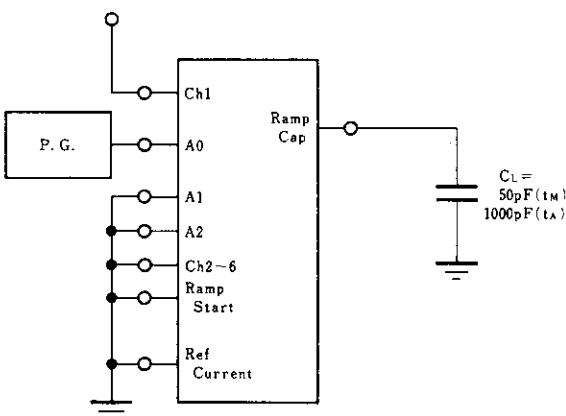


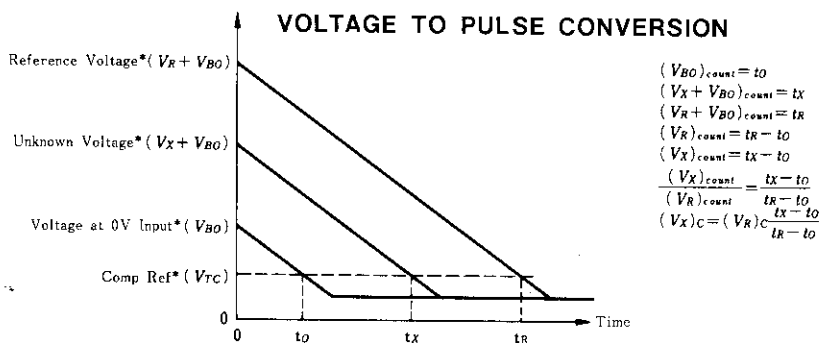
2. t_{TS}



3. t_M, t_A

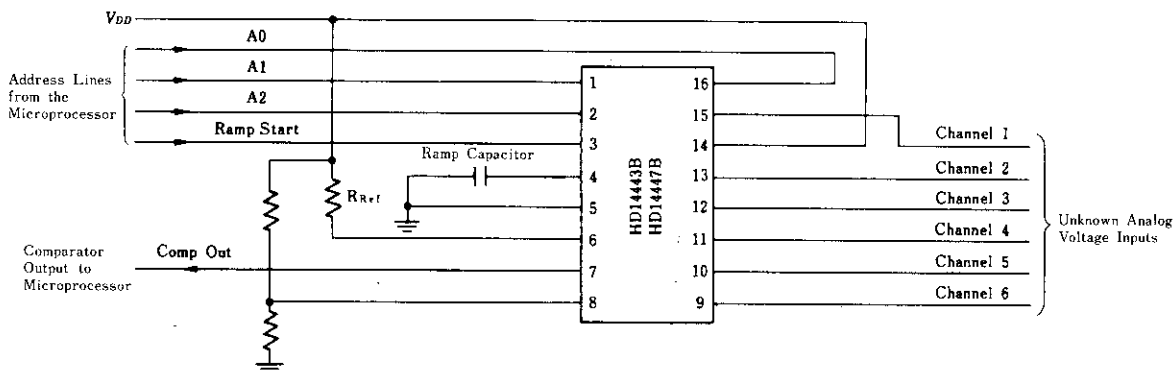
2.5V ($V_{DD}=5.0\text{V}$)
 7V ($V_{DD}=10\text{V}$)
 12V ($V_{DD}=15\text{V}$)





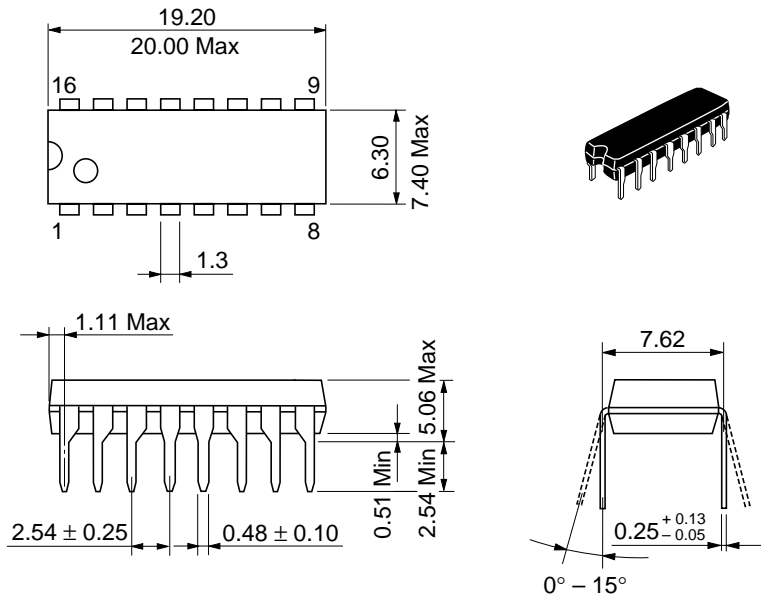
* Voltages measured at pin 4 with ramp start low.

TYPICAL APPLICATIONS CIRCUIT



CONVERSION SEQUENCE

Step No.	A2	A1	A0	Ramp Start	Comment
1	1	1	1	0	Channel 7 Selected (Reference Voltage)
2	1	1	1	1	Record time until Pin 7 goes low
3	0	0	0	0	Channel 0 Selected (Ground)
4	0	0	0	1	Record time until Pin 7 goes low
5	0	0	1	0	Channel 1 Selected
6	0	0	1	1	Record time until Pin 7 goes low
Calculate $t_{ch7} - t_{ch0} = t_{ch7}'$ Step2-Step4					
Calculate $t_{ch1} - t_{ch0} = t_{ch1}'$ Step6-Step4					
Calculate $V_{unknown} = V_{ch7} (t_{ch1}' / t_{ch7}')$					
7	0	1	0	0	Channel 2 Selected
8	0	1	0	1	Record time until Pin 7 goes low
Calculate $t_{ch2} - t_{ch0} = t_{ch2}'$					
Calculate $V_{unknown} = V_{ch7} (t_{ch2}' / t_{ch7}')$					
etc.					



Hitachi Code	DP-16
JEDEC	Conforms
EIAJ	Conforms
Weight (reference value)	1.07 g

Cautions

1. Hitachi neither warrants nor grants licenses of any rights of Hitachi's or any third party's patent, copyright, trademark, or other intellectual property rights for information contained in this document. Hitachi bears no responsibility for problems that may arise with third party's rights, including intellectual property rights, in connection with use of the information contained in this document.
2. Products and product specifications may be subject to change without notice. Confirm that you have received the latest product standards or specifications before final design, purchase or use.
3. Hitachi makes every attempt to ensure that its products are of high quality and reliability. However, contact Hitachi's sales office before using the product in an application that demands especially high quality and reliability or where its failure or malfunction may directly threaten human life or cause risk of bodily injury, such as aerospace, aeronautics, nuclear power, combustion control, transportation, traffic, safety equipment or medical equipment for life support.
4. Design your application so that the product is used within the ranges guaranteed by Hitachi particularly for maximum rating, operating supply voltage range, heat radiation characteristics, installation conditions and other characteristics. Hitachi bears no responsibility for failure or damage when used beyond the guaranteed ranges. Even within the guaranteed ranges, consider normally foreseeable failure rates or failure modes in semiconductor devices and employ systemic measures such as fail-safes, so that the equipment incorporating Hitachi product does not cause bodily injury, fire or other consequential damage due to operation of the Hitachi product.
5. This product is not designed to be radiation resistant.
6. No one is permitted to reproduce or duplicate, in any form, the whole or part of this document without written approval from Hitachi.
7. Contact Hitachi's sales office for any questions regarding this document or Hitachi semiconductor products.

HITACHI

Hitachi, Ltd.

Semiconductor & Integrated Circuits.
Nippon Bldg., 2-6-2, Ohte-machi, Chiyoda-ku, Tokyo 100-0004, Japan
Tel: Tokyo (03) 3270-2111 Fax: (03) 3270-5109

URL North America : <http://semiconductor.hitachi.com/>
 Europe : <http://www.hitachi-eu.com/hel/ecg>
 Asia (Singapore) : <http://www.has.hitachi.com.sg/grp3/sicd/index.htm>
 Asia (Taiwan) : http://www.hitachi.com.tw/E/Product/SICD_Frame.htm
 Asia (HongKong) : <http://www.hitachi.com.hk/eng/bo/grp3/index.htm>
 Japan : <http://www.hitachi.co.jp/Sicd/indx.htm>

For further information write to:

Hitachi Semiconductor
(America) Inc.
179 East Tasman Drive,
San Jose, CA 95134
Tel: <1> (408) 433-1990
Fax: <1> (408) 433-0223

Hitachi Europe GmbH
Electronic components Group
Dornacher Straße 3
D-85622 Feldkirchen, Munich
Germany
Tel: <49> (89) 9 9180-0
Fax: <49> (89) 9 29 30 00

Hitachi Europe Ltd.
Electronic Components Group.
Whitebrook Park
Lower Cookham Road
Maidenhead
Berkshire SL6 8YA, United Kingdom
Tel: <44> (1628) 585000
Fax: <44> (1628) 778322

Hitachi Asia Pte. Ltd.
16 Collyer Quay #20-00
Hitachi Tower
Singapore 049318
Tel: 535-2100
Fax: 535-1533

Hitachi Asia Ltd.
Taipei Branch Office
3F, Hung Kuo Building, No.167,
Tun-Hwa North Road, Taipei (105)
Tel: <886> (2) 2718-3666
Fax: <886> (2) 2718-8180

Hitachi Asia (Hong Kong) Ltd.
Group III (Electronic Components)
7/F., North Tower, World Finance Centre,
Harbour City, Canton Road, Tsim Sha Tsui,
Kowloon, Hong Kong
Tel: <852> (2) 735 9218
Fax: <852> (2) 730 0281
Telex: 40815 HITEC HX

Copyright ' Hitachi, Ltd., 1999. All rights reserved. Printed in Japan.

HITACHI