

HD14538B

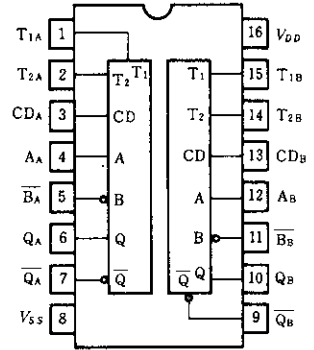
Dual Precision Retriggerable/Resettable Monostable Multivibrator

The HD14538B is a dual, retriggerable, resettable monostable multivibrator. It may be triggered from either edge of an input pulse, and will produce an accurate output pulse over a wide range of widths, the duration and accuracy of which are determined by the external timing components, C_x and R_x . Linear CMOS techniques allow more precise control of output pulse width.

FEATURES

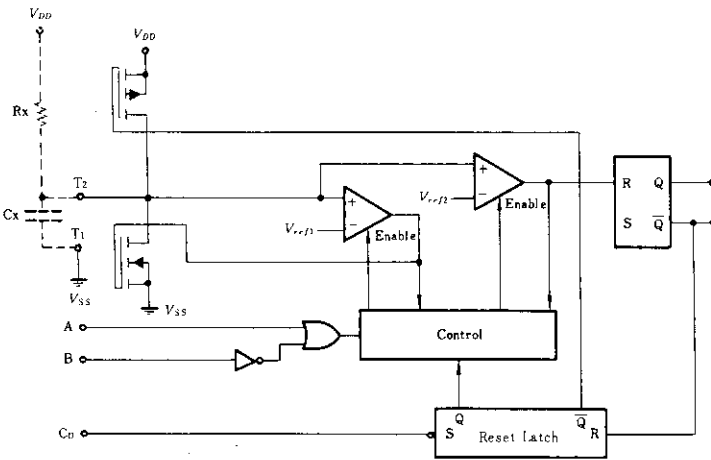
- New Formula: $PW_{out} = R_x \cdot C_x$
- Pulse Width Range = $10\mu s$ to ∞
- Quiescent Current = $5nA/pkg$ typ. @5V
- 3 to 18V Operational Limits
- Capable of Driving One Low-power Schottky TTL Load Over the Rated Temperature Range
- Pin-for-Pin Compatible with HD14528B

PIN ARRANGEMENT

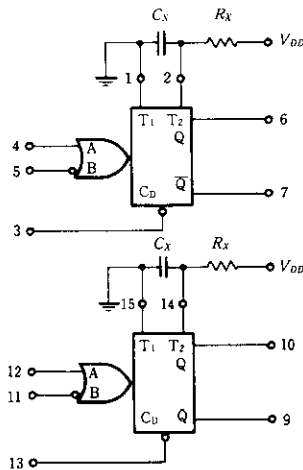


(Top View)

LOGIC DIAGRAM (1/2)



BLOCK DIAGRAM



R_x and C_x are external components.

V_{DD} = Pin 16

V_{SS} = Pin 1, 8, 15

ELECTRICAL CHARACTERISTICS

Characteristic	Symbol	Test Conditions	-40°C		25°C			85°C		Unit	
			min	max	min	typ	max	min	max		
Output Voltage	V_{OL}	5.0	$V_{in}=V_{DD}$ or 0	—	0.05	—	0	0.05	—	0.05	V
		10		—	0.05	—	0	0.05	—	0.05	
		15		—	0.05	—	0	0.05	—	0.05	
	V_{OH}	5.0	$V_{in}=0$ or V_{DD}	4.95	—	4.95	5.0	—	4.95	—	V
		10		9.95	—	9.95	10	—	9.95	—	
		15		14.95	—	14.95	15	—	14.95	—	
Input Voltage	V_{IL}	5.0	$V_{out}=4.5$ or $0.5V$	—	1.5	—	2.25	1.5	—	1.5	V
		10	$V_{out}=9.0$ or $1.0V$	—	3.0	—	4.50	3.0	—	3.0	
		15	$V_{out}=13.5$ or $1.5V$	—	4.0	—	6.75	4.0	—	4.0	
	V_{IH}	5.0	$V_{out}=0.5$ or $4.5V$	3.5	—	3.5	2.75	—	3.5	—	V
		10	$V_{out}=1.0$ or $9.0V$	7.0	—	7.0	5.50	—	7.0	—	
		15	$V_{out}=1.5$ or $13.5V$	11.0	—	11.0	8.25	—	11.0	—	
Output Drive Current	I_{OH}	5.0	$V_{OH}=2.5V$	-2.5	—	-2.1	-4.2	—	-1.7	—	mA
		5.0	$V_{OH}=4.6V$	-0.52	—	-0.44	-0.88	—	-0.36	—	
		10	$V_{OH}=9.5V$	-1.3	—	-1.1	-2.25	—	-0.9	—	
	I_{OL}	5.0	$V_{OL}=13.5V$	-3.6	—	-3.0	-8.8	—	-2.4	—	
		5.0	$V_{OL}=0.4V$	0.52	—	0.44	0.88	—	0.36	—	
		10	$V_{OL}=0.5V$	1.3	—	1.1	2.25	—	0.9	—	
Input Current	I_{in}	15		—	± 0.3	—	± 0.0001	± 0.3	—	± 1.0	μA
		15		—	—	—	5.0	7.5	—	—	pF
Quiescent Current	I_{DD}	5.0	Zero Signal, per Package	—	20	—	0.005	20	—	150	μA
		10		—	40	—	0.010	40	—	300	
		15		—	80	—	0.015	80	—	600	
Total Supply Current*	I_T	$I_T(5.0V) = (3.5 \times 10^{-2})R_x \cdot C_x \cdot f + 4C_x \cdot f + 1 \times 10^{-5}C_L \cdot f$									
		$I_T(10V) = (8 \times 10^{-2})R_x \cdot C_x \cdot f + 9C_x \cdot f + 2 \times 10^{-5}C_L \cdot f$									
		$I_T(15V) = (1.25 \times 10^{-1})R_x \cdot C_x \cdot f + 12C_x \cdot f + 3 \times 10^{-5}C_L \cdot f$									

I_T : μA , C_x : μF , C_L : pF, R_x : k Ω , f : Hz

■ SWITCHING CHARACTERISTICS ($C_L=50\text{pF}$, $T_a=25^\circ\text{C}$)

Characteristic		Symbol	C_x	$R_x(\text{k}\Omega)$	$V_{DD}(\text{V})$	min	typ	max	Unit					
Output Rise Time		t_r	—	—	5.0	—	100	200	ns					
					10	—	50	100						
					15	—	40	80						
Output Fall Time		t_f	—	—	5.0	—	100	200	ns					
					10	—	50	100						
					15	—	40	80						
Propagation Delay Time	A, B to Q, \bar{Q}	t_{PLH} , t_{PHL}	—	—	5.0	—	300	600	ns					
					10	—	150	300						
					15	—	100	220						
	C_D to Q, \bar{Q}	—	—	5.0	—	250	500							
				10	—	125	250							
				15	—	95	190							
Minimum Input Pulse Width		PW_{in}	—	—	5.0	100	50	—	ns					
					10	60	30	—						
					15	50	25	—						
Output Pulse Width					$0.002\mu\text{F}$	100k Ω	5.0	185	200	215	μs			
							10	185	200	215				
							15	185	200	215				
							$0.1\mu\text{F}$	100k Ω	5.0	8.8		9.4	10.0	ms
									10	8.8		9.4	10.0	
									15	8.8		9.4	10.0	
					$10\mu\text{F}$	100k Ω	5.0	0.915	0.965	1.015	s			
							10	0.915	0.965	1.015				
							15	0.915	0.965	1.015				
					Minimum Retrigger Time		t_{rr}	—	—	5.0	0	—	—	ns
										10	0	—	—	
										15	0	—	—	
External Timing Resistance		R_x	—	—	—	5.0	—	OPEN	k Ω					
External Timing Capacitance		C_x	—	—	—	2000	—	No Limit	pF					

■ APPLICATIONS

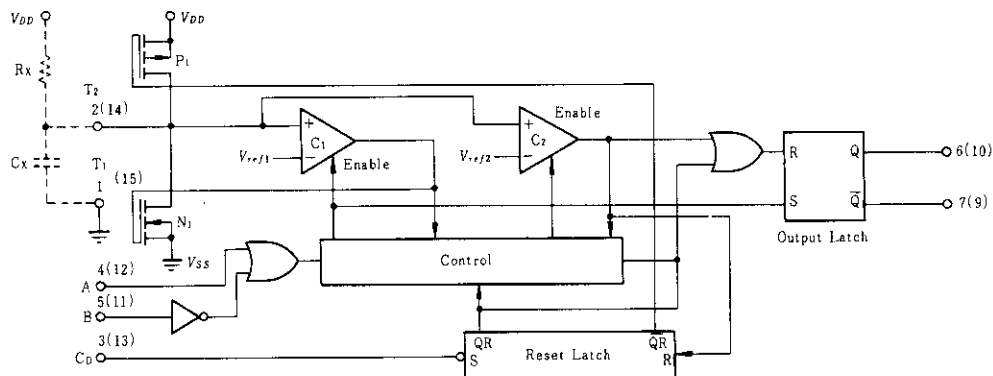


Fig.1 Logic Diagram

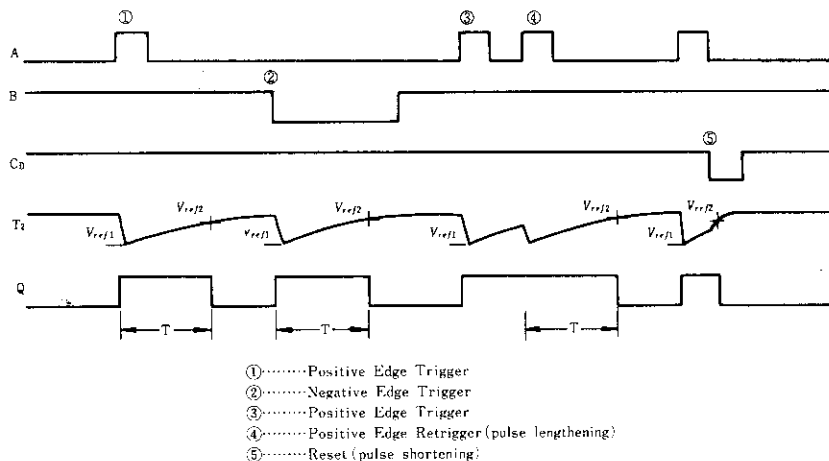


Fig. 2 Timing Operation

■ TRIGGER OPERATION

The block diagram of the HD14538B is shown in Figure 1, with circuit operation following. As shown in Figures 1 and 2 before an input trigger occurs, the monostable is in the quiescent state with the Q output low, and the timing capacitor Cx completely charged to V_{DD} . When the trigger input A goes from V_{SS} to V_{DD} (while inputs B and C_D are held to V_{DD}) a valid trigger is recognized, which turns on comparator C1 and N-Channel transistor N1 ①.

At the same time the output latch is set. With transistor N1 on, the capacitor Cx rapidly discharges toward V_{SS} until V_{ref1} is reached. At this point the output of comparator C1 changes state and transistor N1 turns off. Comparator C1 then turns off while at the same time comparator C2 turns on. With transistor N1 off, the capacitor Cx begins to charge through the timing resistor, Rx, toward V_{DD} . When the voltage across Cx equals V_{ref2} , comparator C2 changes state, causing the output latch to reset (Q goes low) while at the same time disabling comparator C2 ②.

This ends the timing cycle with the monostable in the quiescent state, waiting for the next trigger. It should be noted that in the quiescent state Cx is full charged to V_{DD} causing the current through resistor Rx to be zero. Both comparators are "off" with the total device current due only to reverse junction leakages.

An added feature of the HD14538B is that the output latch is set via the input trigger with out regard to the capacitor voltage. Thus, propagation

delay from trigger to Q is independent of the value of Cx, Rx, or the duty cycle of the input waveform.

■ RETRIGGER OPERATION

The HD14538B is retriggered if a valid trigger occurs ③ followed by another valid trigger 4 before the Q output has returned to the quiescent (zero) state. Any retrigger, after the timing node voltage at pin 2 or 14 has begun to rise from V_{ref1} , but has not yet reached V_{ref2} , will cause an increase in output pulse width T. When a valid retrigger is initiated ④, the voltage at T2 will again drop to V_{ref1} before progressing along the RC charging curve toward V_{DD} .

The Q output will remain high until time T, after the last valid retrigger.

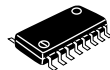
■ RESET OPERATION

The HD14538B may be reset during the generation of the output pulse. In the reset mode of operation, an input pulse on C_D sets the reset latch and causes the capacitor to be fast charged to V_{DD} by turning on transistor P1 ⑤.

When the voltage on the capacitor reaches V_{ref2} , the reset latch will clear, and will then be ready to accept another pulse. If the C_D input is held low, any trigger inputs that occur will be inhibited and the Q and \bar{Q} outputs of the output latch will not change. Since the Q output is reset when an input low level is detected on the C_D input, the output pulse T can be made significantly shorter than the minimum pulse width specification.



Hitachi Code	DP-16
JEDEC	Conforms
EIAJ	Conforms
Weight (reference value)	1.07 g



*Dimension including the plating thickness
Base material dimension

Hitachi Code	FP-16DA
JEDEC	—
EIAJ	Conforms
Weight (reference value)	0.24 g



*Dimension including the plating thickness
Base material dimension

Hitachi Code	FP-16DN
JEDEC	Conforms
EIAJ	Conforms
Weight (reference value)	0.15 g

Cautions

1. Hitachi neither warrants nor grants licenses of any rights of Hitachi's or any third party's patent, copyright, trademark, or other intellectual property rights for information contained in this document. Hitachi bears no responsibility for problems that may arise with third party's rights, including intellectual property rights, in connection with use of the information contained in this document.
2. Products and product specifications may be subject to change without notice. Confirm that you have received the latest product standards or specifications before final design, purchase or use.
3. Hitachi makes every attempt to ensure that its products are of high quality and reliability. However, contact Hitachi's sales office before using the product in an application that demands especially high quality and reliability or where its failure or malfunction may directly threaten human life or cause risk of bodily injury, such as aerospace, aeronautics, nuclear power, combustion control, transportation, traffic, safety equipment or medical equipment for life support.
4. Design your application so that the product is used within the ranges guaranteed by Hitachi particularly for maximum rating, operating supply voltage range, heat radiation characteristics, installation conditions and other characteristics. Hitachi bears no responsibility for failure or damage when used beyond the guaranteed ranges. Even within the guaranteed ranges, consider normally foreseeable failure rates or failure modes in semiconductor devices and employ systemic measures such as fail-safes, so that the equipment incorporating Hitachi product does not cause bodily injury, fire or other consequential damage due to operation of the Hitachi product.
5. This product is not designed to be radiation resistant.
6. No one is permitted to reproduce or duplicate, in any form, the whole or part of this document without written approval from Hitachi.
7. Contact Hitachi's sales office for any questions regarding this document or Hitachi semiconductor products.

HITACHI

Hitachi, Ltd.

Semiconductor & Integrated Circuits.
Nippon Bldg., 2-6-2, Ohte-machi, Chiyoda-ku, Tokyo 100-0004, Japan
Tel: Tokyo (03) 3270-2111 Fax: (03) 3270-5109

URL North America : <http://semiconductor.hitachi.com/>
Europe : <http://www.hitachi-eu.com/hel/ecg>
Asia (Singapore) : <http://www.has.hitachi.com.sg/grp3/sicd/index.htm>
Asia (Taiwan) : http://www.hitachi.com.tw/E/Product/SICD_Frame.htm
Asia (HongKong) : <http://www.hitachi.com.hk/eng/bo/grp3/index.htm>
Japan : <http://www.hitachi.co.jp/Sicd/indx.htm>

For further information write to:

Hitachi Semiconductor
(America) Inc.
179 East Tasman Drive,
San Jose, CA 95134
Tel: <1> (408) 433-1990
Fax: <1> (408) 433-0223

Hitachi Europe GmbH
Electronic components Group
Dornacher Straße 3
D-85622 Feldkirchen, Munich
Germany
Tel: <49> (89) 9 9180-0
Fax: <49> (89) 9 29 30 00

Hitachi Europe Ltd.
Electronic Components Group.
Whitebrook Park
Lower Cookham Road
Maidenhead
Berkshire SL6 8YA, United Kingdom
Tel: <44> (1628) 585000
Fax: <44> (1628) 778322

Hitachi Asia Pte. Ltd.
16 Collyer Quay #20-00
Hitachi Tower
Singapore 049318
Tel: 535-2100
Fax: 535-1533

Hitachi Asia Ltd.
Taipei Branch Office
3F, Hung Kuo Building, No.167,
Tun-Hwa North Road, Taipei (105)
Tel: <886> (2) 2718-3666
Fax: <886> (2) 2718-8180

Hitachi Asia (Hong Kong) Ltd.
Group III (Electronic Components)
7/F., North Tower, World Finance Centre,
Harbour City, Canton Road, Tsim Sha Tsui,
Kowloon, Hong Kong
Tel: <852> (2) 735 9218
Fax: <852> (2) 730 0281
Telex: 40815 HITEC HX

Copyright ' Hitachi, Ltd., 1999. All rights reserved. Printed in Japan.

HITACHI