

HA16107FP/P, HA16108FP/P

600kHz PWM Switching Regulator Controller

Description

The HA16107 and HA16108 series are primary control switching regulator control IC's appropriate for directly obtaining stable voltage from commercial and public power.

They can directly drive power MOSFET's, and have the following built in functions: over-current protection (OCL), timer latch over-voltage protection (HA16107), and ON/OFF timer over-current protection (HA16108).

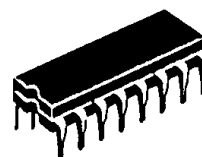
Functions

- 6.45V standard voltage circuit
- Triangle wave generator circuit
- PWM comparator circuit
- Output circuit (totem pole output)
- Pulse by pulse over-current detection and protection function
- Low input operational error protection circuit
- Soft start, quick shutdown function
- Timer latch over-voltage protection function (HA16107)
- ON/OFF timer over-current protection function (HA16108)

Features

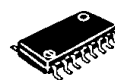
- The operating frequency is a high 600 kHz.
- Built-in pre-driver circuit for driving power MOSFET's
- Parallel synchronous driving of IC pairs
- Over current protection (OCL)
- Built-in timer latch over-voltage protection function (HA16107)
- OCL and intermittent operation may be used for the prevention of secondary output current increases using the ON/OFF timer function. (HA16108)
- A low input voltage lock out function (UVL) is applied to both V_{IN} and V_{ref} .
- The ON/OFF reset is a built-in auto-reset function based on the time constant of an external capacitance and observation of drops in V_{IN} .
- The over-voltage protection (TL terminal) reset can be used appropriately in response to the goals of the OVP and ON/OFF terminals, due to observation of drops in input voltage only.
- Soft start and quick shutdown functions are built in.
- Built-in 34-volt Zener diode between V_{IN} and ground
- Built-in error amp

HA16107P, HA16108P



(DP-16C)

HA16107FP, HA16108FP



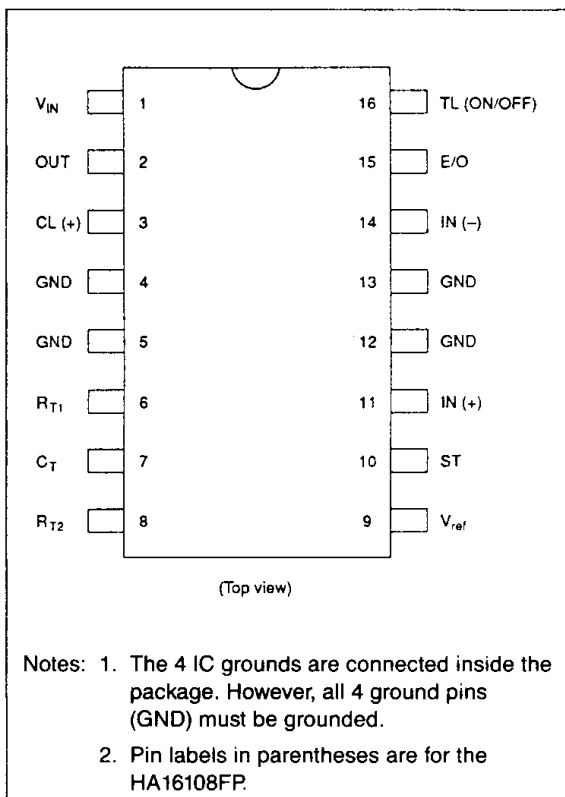
(FP-16DA)

Ordering Information

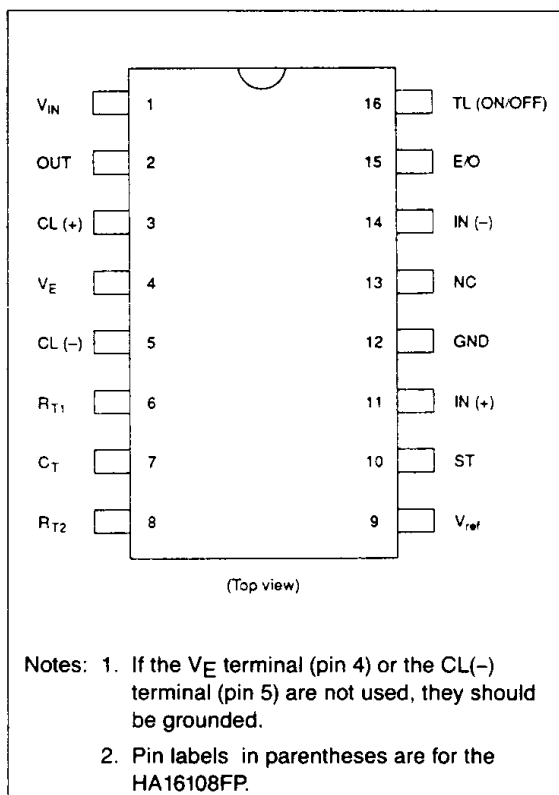
Product Name	Function	Package
HA16107P	Timer latch over-voltage protection function	DP-16C
HA16107FP		FP-16DA
HA16108P	ON/OFF timer over-current protection	DP-16C
HA16108FP		FP-16DA



Pin Arrangement (HA16107FP/P, HA16108FP/P)



Pin Arrangement (HA16107P, HA16108P)



Pin Functions

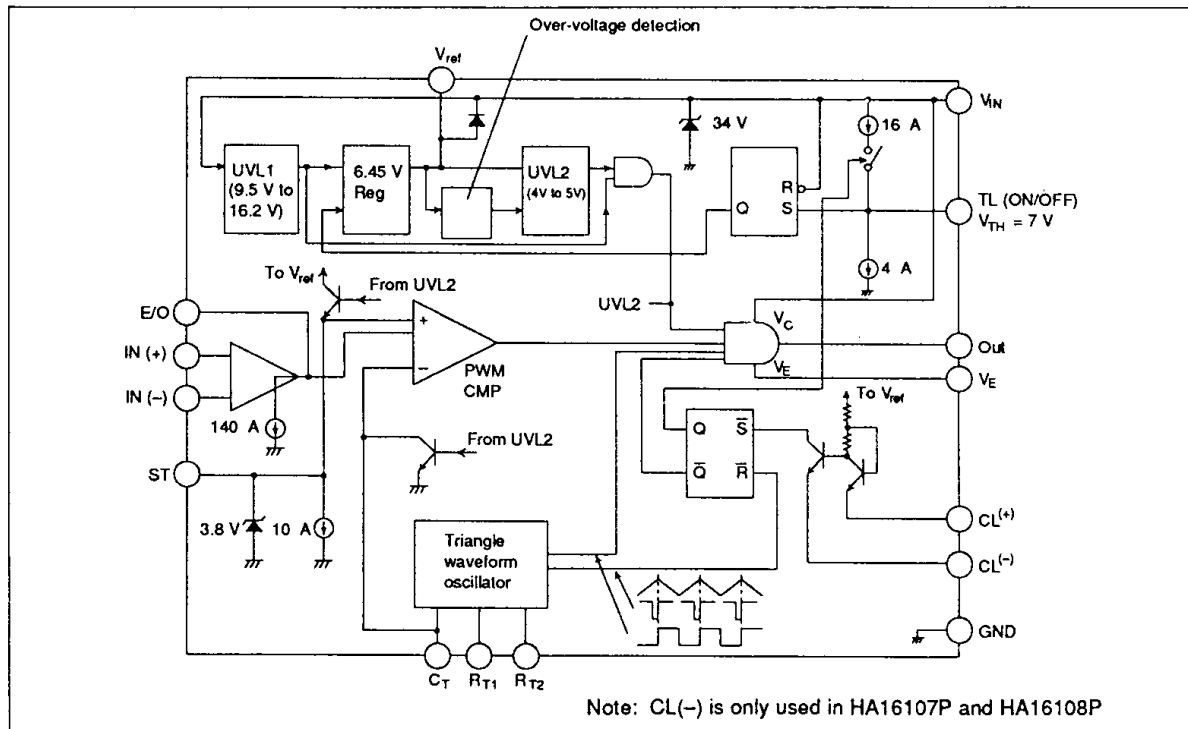
No.	Symbol	Pin Functions
1	V_{IN}	Input voltage
2	OUT	Pulse output
3	CL (+)	Current limiter
4	V_E	Output ground
5	CL (-)	Current limiter
6	R_{T1}	Timing resistor (rise time)
7	C_T	Timing capacitor
8	R_{T2}	Timing resistor (fall time)

No.	Symbol	Pin Functions
9	V_{ref}	Reference voltage output
10	ST	Soft start
11	IN (+)	Error amp (+) input
12	GND	Ground
13	NC	Not used
14	IN (-)	Error amp (-) input
15	E/O	Error output
16	TL	Timer latch

Note: With the HA16107FP and HA16108FP, although pins 4, 5, 12, and 13 are connected inside the package, they all must be connected to ground.

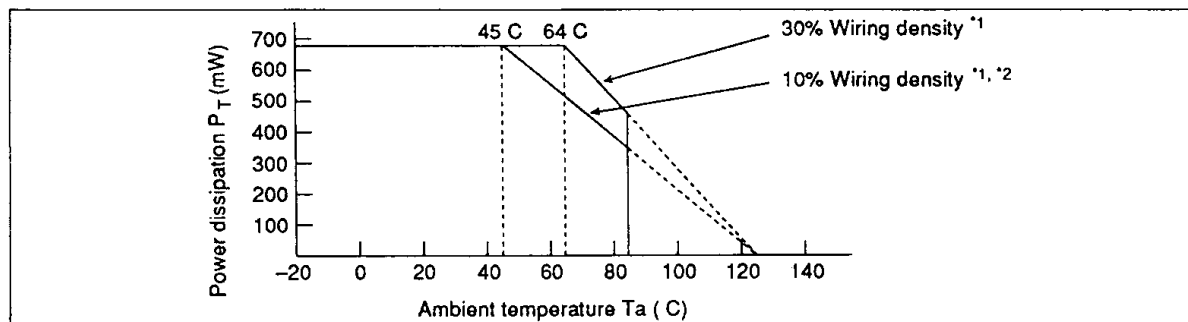
HA16107FP/P, HA16108FP/P

Block Diagram



Absolute Maximum Ratings (Ta = 25°C)

Item	Symbol	Rating Value	Unit	Item	Symbol	Rating Value	Unit
Power supply voltage	V _{IN}	30	V	RT1 pin output current	I _{RT1}	500	μA
Output current (DC)	I _o	±0.2	A	RT2 pin output current	I _{RT2}	5	mA
Output current (peak)	I _{opeak}	±2	A	Power dissipation *1	P _T	680	mW
Current limiter voltage	V _{CL}	±3	V	Operation temperature range	T _{opr}	-20 to +85	°C
Error amp input voltage	V _{IEA}	V _{ref}	V	Storage temperature range	T _{stg}	-55 to +125	°C
Error amp output voltage	V _{IE/O}	V _{ref}	V				



The absolute maximum ratings are limiting values, to be applied individually, beyond which the device may be permanently damaged. Functional operation under any of these conditions is not guaranteed. Exposing a circuit to its absolute maximum rating for extended periods of time may affect the device's reliability.

- Notes:
1. These values are for HA16107FP, HA16108FP mounted on a 40 × 40 × 1.6 mm glass epoxy board. However, when the wiring density is 10%, these must be derated by 8.3 mW/°C for temperatures above 45°C, and when the wiring density is 30%, by 11.1 mW/°C at temperatures above 64°C.
 2. For the HA16107P and HA16108P, these values are valid up to 45°C, and must be derated by 8.3 mW/°C above 45°C.



Electrical Characteristics (Ta = 25°C, VIN = 18 V, fosc = 100 kHz)

Section	Item	Symbol	Min	Typ	Max	Unit	Test Conditions
Reference voltage	Output voltage	Vref	6.10	6.45	6.80	V	
	Line regulation	Line	–	30	60	mV	12 V ≤ VIN ≤ 30 V
	Load regulation	Load	–	30	60	mV	0 ≤ Io ≤ 10 mA
	Output voltage temperature stability	$\Delta V_{ref}/\Delta T_a$	–	400	–	ppm/°C	
	Short circuit current	Ios	30	50	–	mA	Vref = 0 V
	Over voltage protection	Vrovp	7.4	8	9	V	
Triangle wave oscillator	Maximum frequency	fmax	600	–	–	kHz	
	Minimum frequency	fmin	–	–	1	kHz	
	Voltage stability	$\Delta f/f_{o1}$	–	± 1	± 3	%	12 V ≤ VIN ≤ 30 V (fo1 = fmax + fmin/2)
	Temperature stability	$\Delta f/f_{o2}$	–	± 8	–	%	–20°C ≤ Ta ≤ +85°C (fo2 = fmax + fmin/2)
	Frequency accuracy	fosc	270	300	330	kHz	RT1 = RT2 = 27 kΩ CT = 120 pF
PWM comparator	Minimum deadband pulse width	tDB	–	–	1.0	μs	
	Low level threshold voltage	VTL	1.9	2.2	2.5	V	
	High level threshold voltage	VTH	3.8	4.2	4.6	V	
	Differential threshold voltage	ΔV_{TH}	1.7	2	2.3	V	
	Deadband width initial accuracy	$\Delta DB1$	–	± 1	± 3	%	RT1 = RT2 = 27 kΩ CT = 470 pF
	Deadband width voltage stability	$\Delta DB2$	–	± 0.2	± 2.0	%	12 V ≤ VIN ≤ 30 V (Dmax – Dmin)/2
	Deadband width temperature stability	$\Delta DB3$	–	± 1	–	%	–20°C ≤ Ta ≤ +85°C (Dmax – Dmin)/2
Error amp	Input offset voltage	VIo	–	2	10	mV	
	Input bias current	IIB	–	0.8	2.0	μA	
	Input sink current	Iosink	80	140	–	μA	VO = 2 V
	Output source current	Iosource	80	140	–	μA	VO = 5 V
	High level output voltage	VOH	Vref –1.5	–	–	V	IO = 10 μA

HA16107FP/P, HA16108FP/P

Electrical Characteristics (Ta = 25°C, V_{IN} = 18 V, f_{osc} = 100 kHz) (cont)

Section	Item	Symbol	Min	Typ	Max	Unit	Test Conditions
Error amp	Low level output voltage	V _{OL}	-	-	0.5	V	I _O = 10 μA
	Voltage gain	G _V	-	55	-	dB	f = 10 kHz
	Band width	BW	-	15	-	MHz	
	(-) Common mode voltage	V _{CM-}	1.2	-	-	V	
	(+) Common mode voltage	V _{CM+}	-	-	V _{ref} -1.5	V	
Over-current detector	(+) Threshold voltage	V _{TH+}	0.216	0.24	0.264	V	
	(+) Bias current	I _{B+}	-	180	250	μA	V _{CL+} = 0 V
	(-) Threshold voltage* ¹	V _{TH-}	-0.264	-0.24	-0.216	V	
	(-) Bias current* ¹	I _{B-}	-	950	1350	μA	
	Response time	t _{off}	-	100	-	ns	
Soft start	High level voltage	V _{STH}	3.2	3.8	4.4	V	I _{sink} = 1 mA
	Sink current	I _{sink}	7	10	13	μA	V _{ST} = 2.0 V
Under voltage lockout	V _{IN} high level threshold voltage	V _{INTH}	14.7	16.2	17.7	V	
	V _{IN} low level threshold voltage	V _{INTL}	8.5	9.5	10.5	V	
	Threshold differential voltage	ΔV _{TH}	5.2	6.2	7.2	V	(V _{INTH} - V _{INTL})
	V _{ref} high level threshold voltage	V _{rTH}	4.5	5.0	5.5	V	
	V _{ref} low level threshold voltage	V _{rTL}	3.5	4.0	4.5	V	
Timer latch (HA16107), ON/OFF timer (HA16108)	Latch threshold voltage* ²	V _{TH}	6.5	7.0	7.5	V	
	Low level threshold Voltage* ³	V _{THL}	1.0	1.3	1.6	V	
	V _{IN} reset voltage	V _{INR2}	6.0	6.5	7.0	V	
	Differential threshold	ΔV	2.0	3.0	-	V	(V _{INTL} - V _{INR2})
	Source current (OCL mode)	I _{source}	8	12	16	μA	CML: Normally open
	Sink current (latch mode)	I _{sink}	2.5	4	5.5	μA	ON/OFF terminal = 4 V

- Notes: 1. V_{TH-} and I_{B-} are only applicable to HA16107P and HA16108P.
 2. The HA16108 is not latched by a high level threshold voltage.
 3. Only applicable to the HA16108.

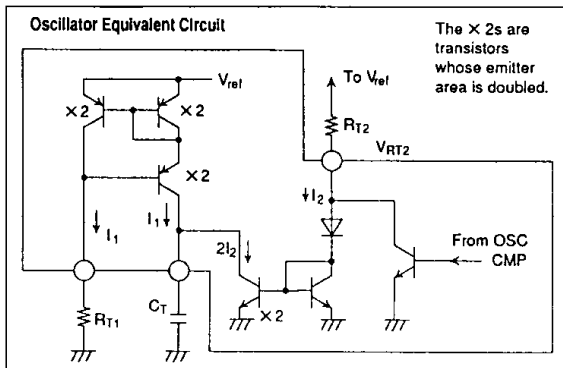
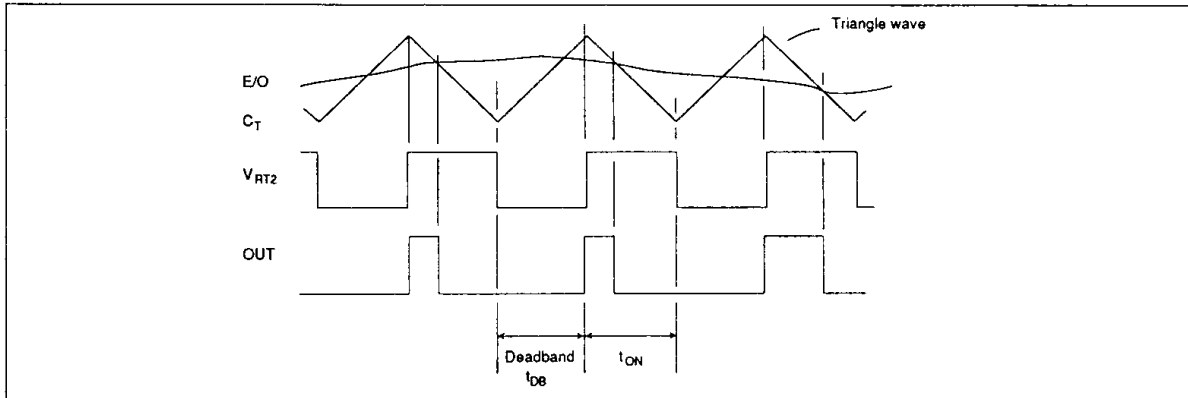


Electrical Characteristics (Ta = 25°C, VIN = 18 V, fosc = 100 kHz) (cont)

Section	Item	Symbol	Min	Typ	Max	Unit	Test Conditions
Output	Low voltage	V _{OL1}	-	1.7	2.2	V	I _{osink} = 0.2 A
	High voltage	V _{OH}	V _{IN} -2.2	-	-	V	I _{osource} = 0.2 A
	Low voltage (standby mode)	V _{OL2}	-	-	0.5	V	I _{osink} = 1 mA
	Rising time	tr	-	40	-	ns	C _L = 1000 pF
	Falling time	tf	-	80	-	ns	C _L = 1000 pF
Total	Standby current	I _{st}	-	160	250	μA	V _{IN} = 14 V
	Operation current	I _{IN1}	-	16	20	mA	V _{IN} = 30 V, C _L = 1000 pF, f = 100 kHz
	Operation current	I _{IN2}	-	12	16	mA	V _{IN} = 30 V, f = 100 kHz, Output open
	ON/OFF latch current	I _{IN3}	-	350	460	μA	V _{IN} = 14 V
	V _{IN} - GND Zener voltage	V _Z	30	34	-	V	

Function and Timing Chart

1. Triangle waveform and PWM output



The x2s are transistors whose emitter area is doubled.

$$I_1 = \frac{V_{ref} - 2V_{BE}}{R_{T1}}$$

$$I_2 = \frac{V_{ref} - 2V_{BE}}{R_{T2}}$$

$$t_{DB} = \frac{C_T \times R_{T1} \times 2V}{V_{ref} - 2V_{BE}} = 0.35 \times C_T \times R_{T1} \text{ (sec)}$$

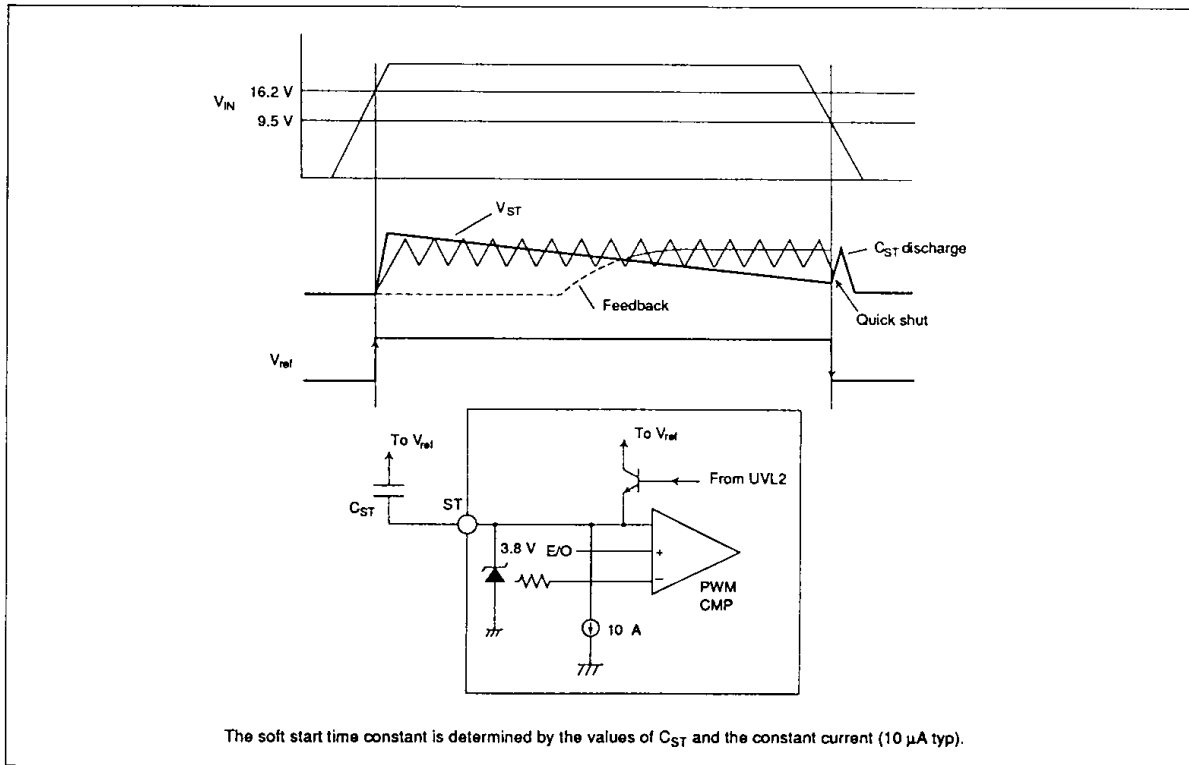
$$t_{ON} = t_{DB} \frac{R_{T2}}{2R_{T1} - R_{T2}} \text{ (sec)}$$

$$D_{umax} = \frac{R_{T2}}{2R_{T1}}$$

$$f_{osc} \approx \frac{1 - D_{umax}}{t_{DB}} \text{ (Hz)}$$

Notes: When f_{osc} is small, the actual value will differ from that given by the formula due to the delay time. Determine the correct constants after constructing a test circuit.

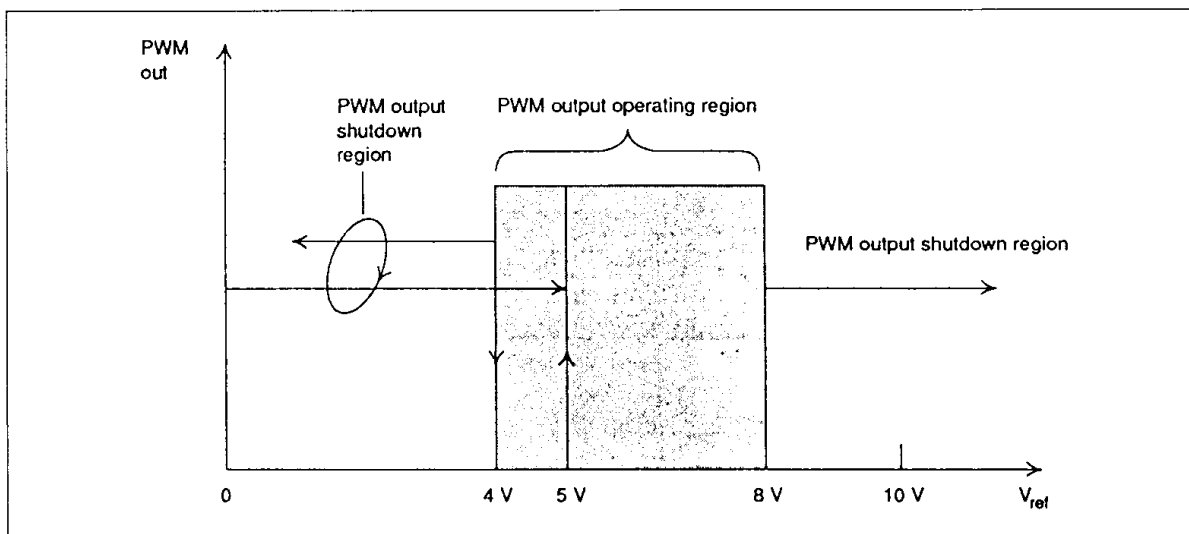
2. Soft start and quick shut



3. V_{ref} Protection (Over-voltage protection and UVL2 protection)

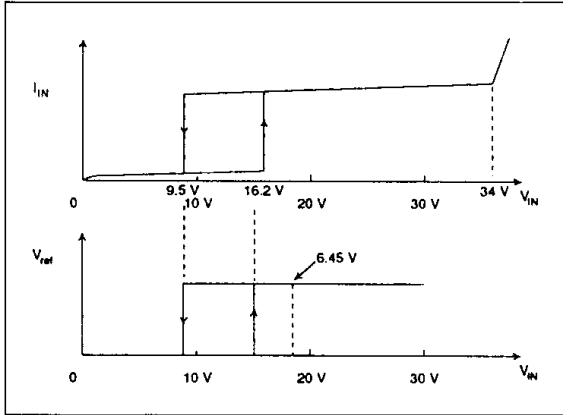
Under- and over-voltage in V_{ref} are detected by the "UVL2 circuit" and the "over-voltage detection circuit". PWM output is shutdown at a V_{ref} of 8 volts or over. Also, UVL2 will detect low voltages with a hysteresis of about 4 to 5 volts, and PWM output will be shutdown at lower voltages.

Therefore, if the V_{ref} pin is shorted up to V_{IN} , or shorted to ground, PWM output will be shutdown. Also, when V_{IN} is connected or disconnected, PWM output will be shutdown.

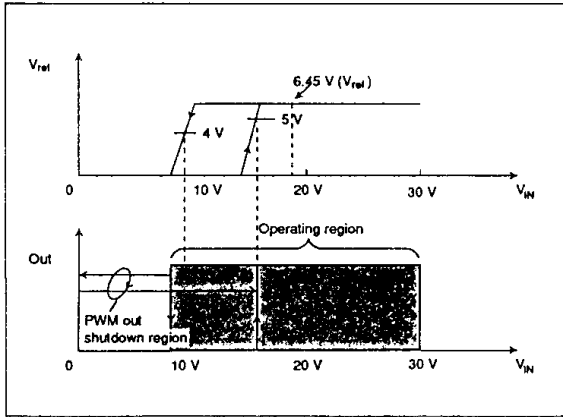


4. Relationship between UVL1, UVL2, and PWM output

- UVL1 (V_{IN} and V_{ref})



- UVL2 (V_{ref} and PWM output)



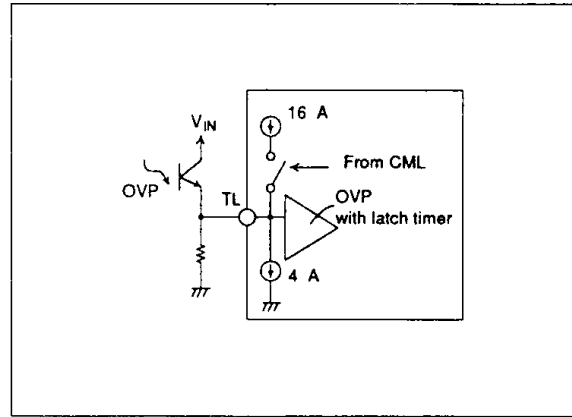
- UVL1 and UVL2

V_{IN} (UVL1)	L	H	H	L
V_{IN} (UVL2)	L	L	H	H
PWM OUT	L	L	OUT	L
Standby mode	O	O	—	O

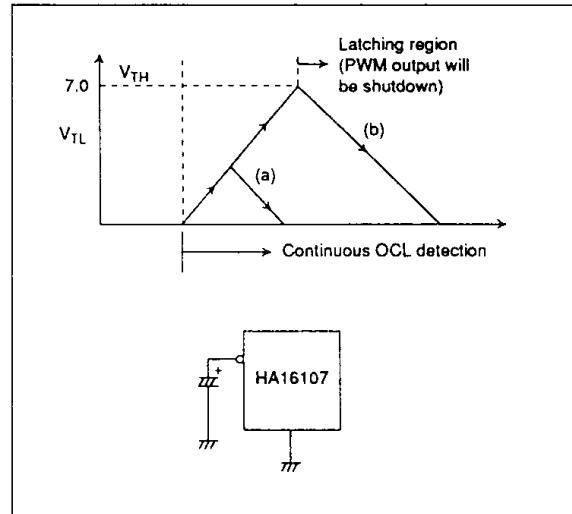
Note: O: Standby mode
—: Not standby

5. T_L (Time Latch)

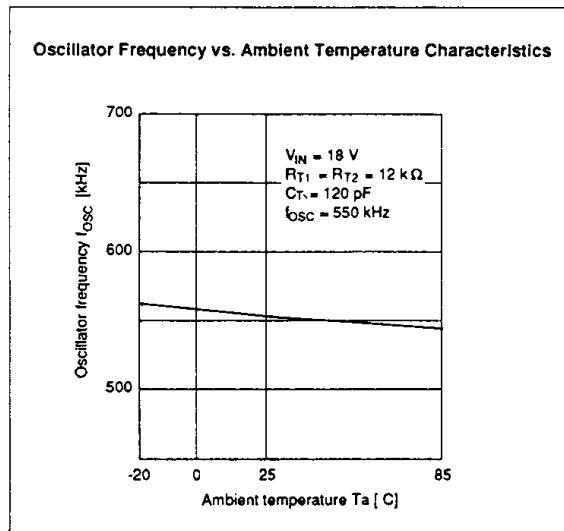
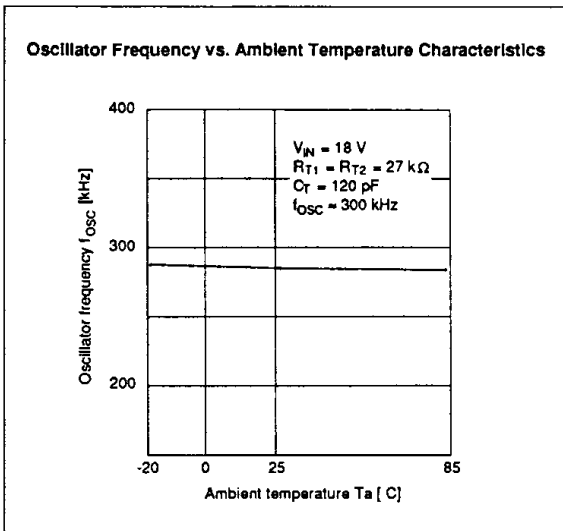
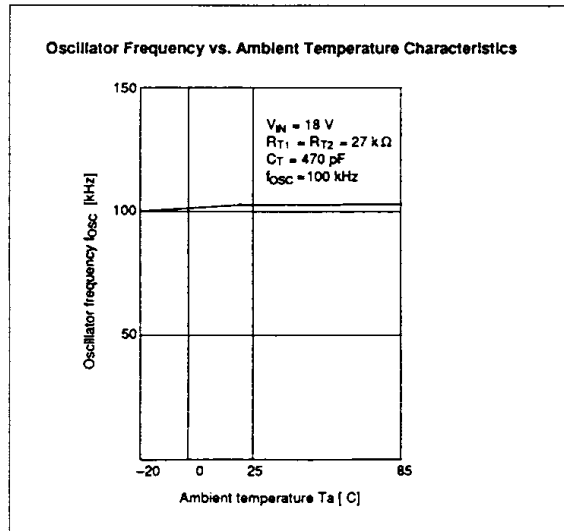
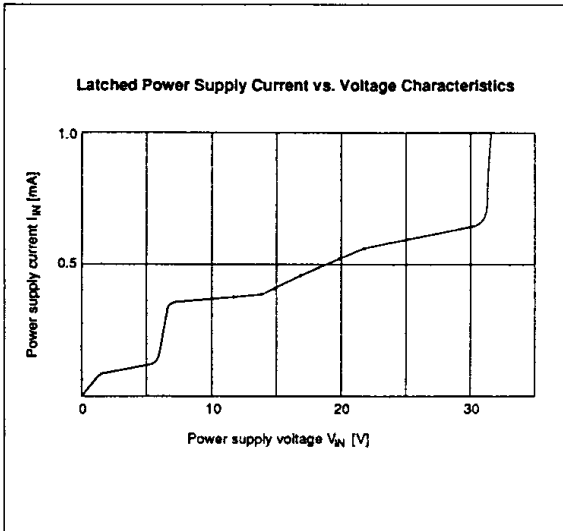
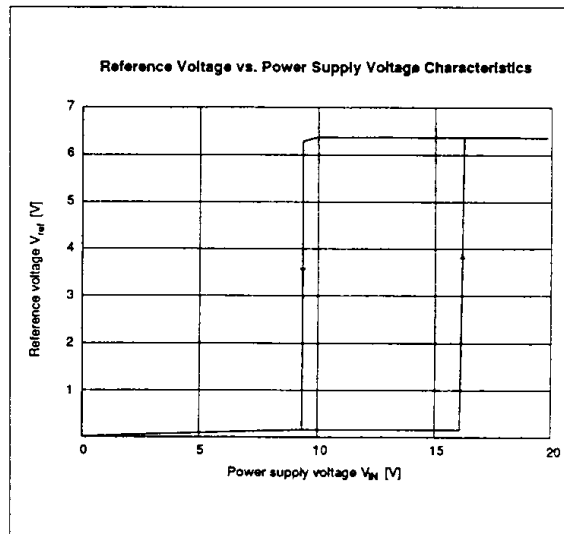
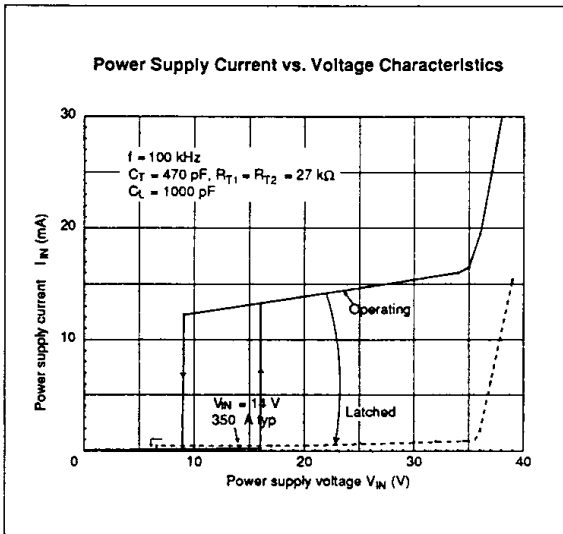
- (1) T_L : Can be "OVP" function
 T_L : The timer latch pin can be used as an OVP pin.
- (2) Using the T_L pin as an OVP pin

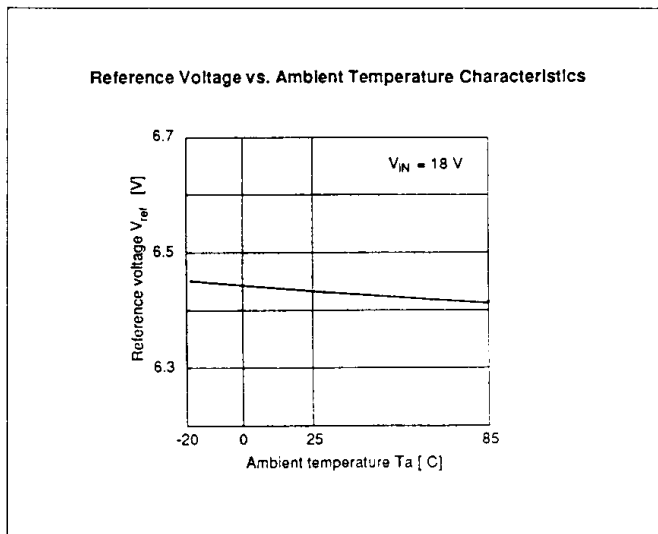
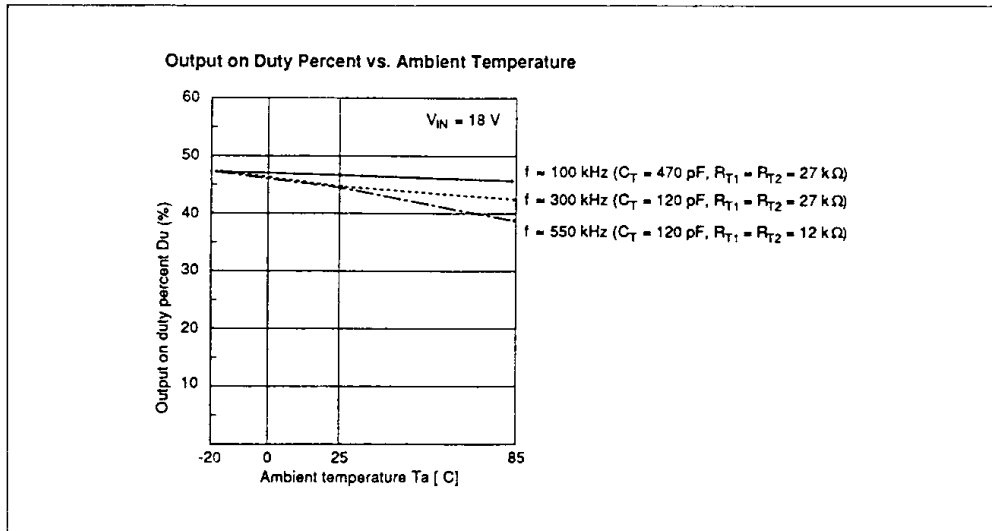
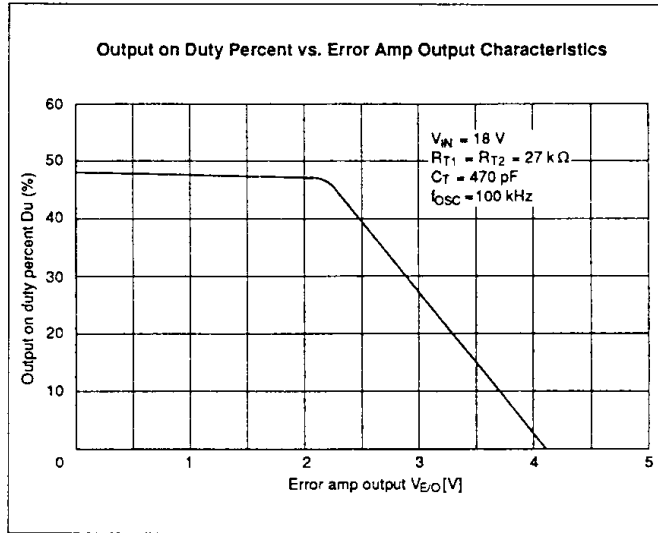


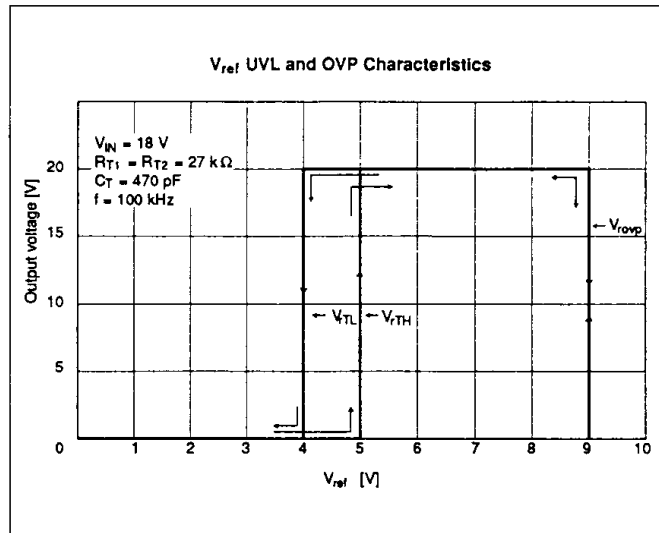
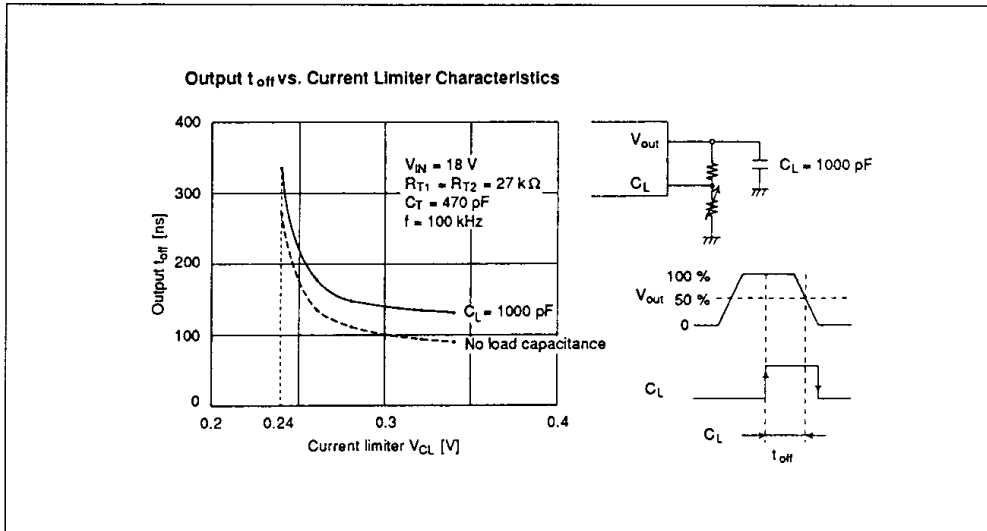
(3) T_L operation



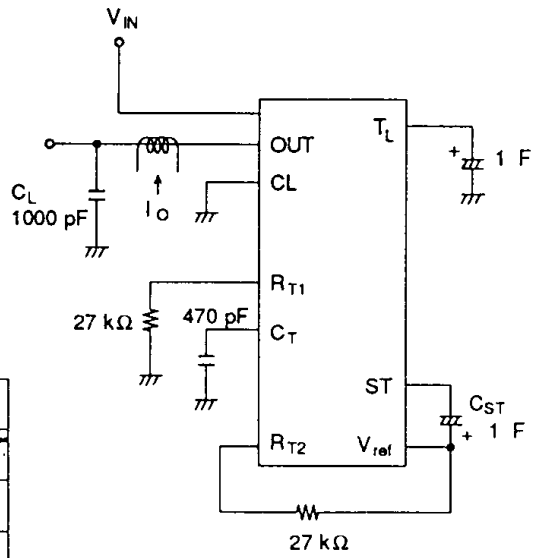
- Notes:
- (a) is the case where OCL detection ceases before V_{TL} reaches V_{TH} .
 - (b) is the case where OCL detection continues until V_{TL} reaches V_{TH} .
 - The latch function will be cleared when V_{IN} drops below about 6.5 volts.



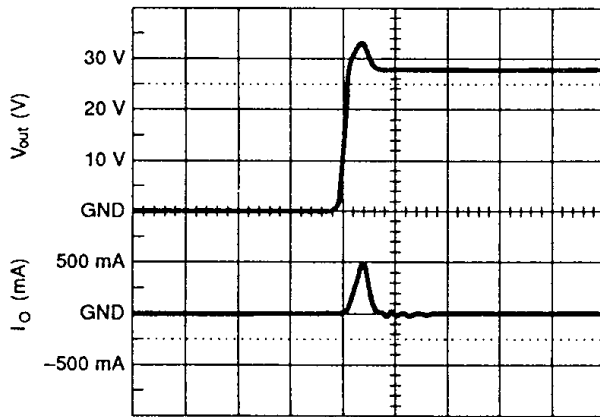




Test circuit

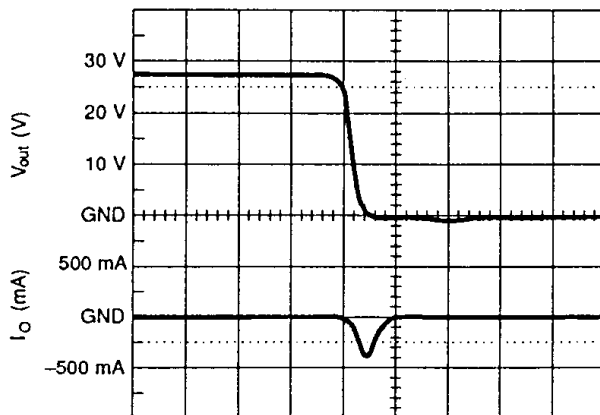


Output (V_{out}) rising waveform



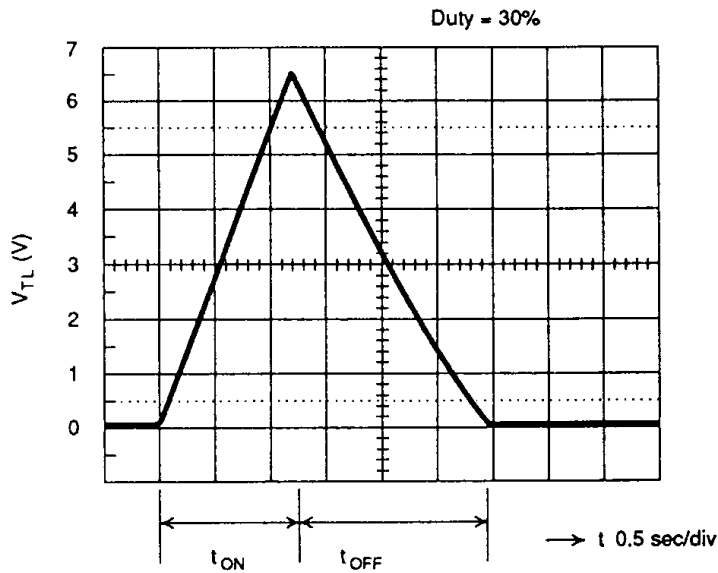
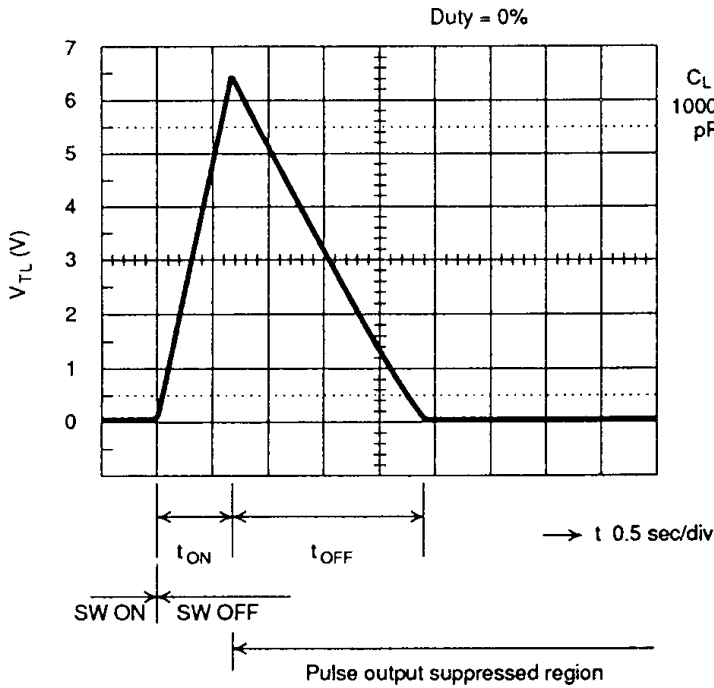
→ 200 ns/div

Output (V_{out}) falling waveform

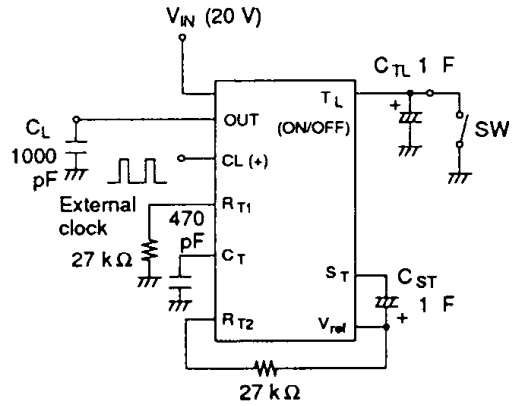


→ 200 ns/div

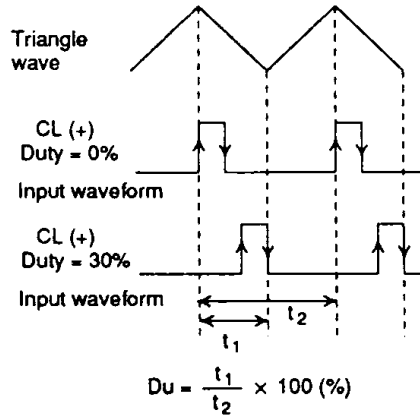
TL Pin Waveform of HA16107

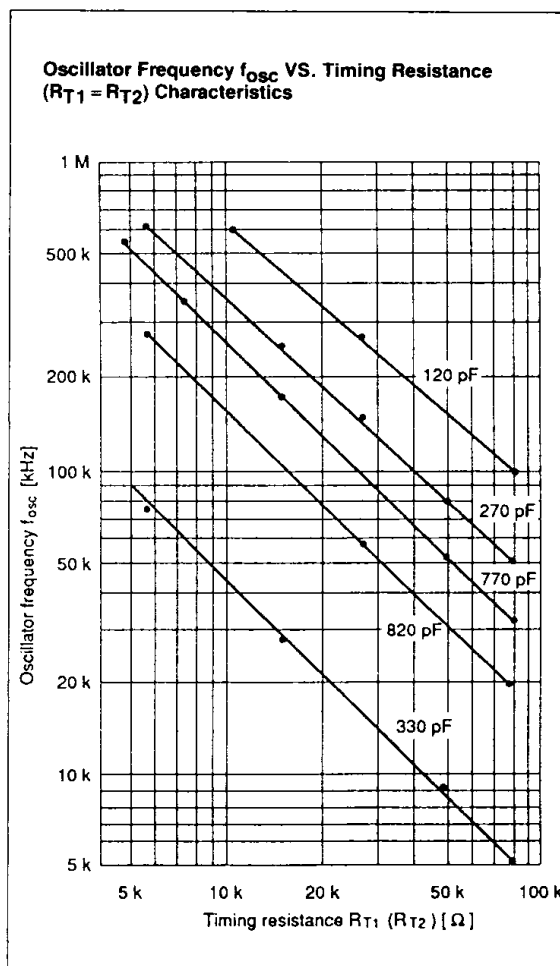
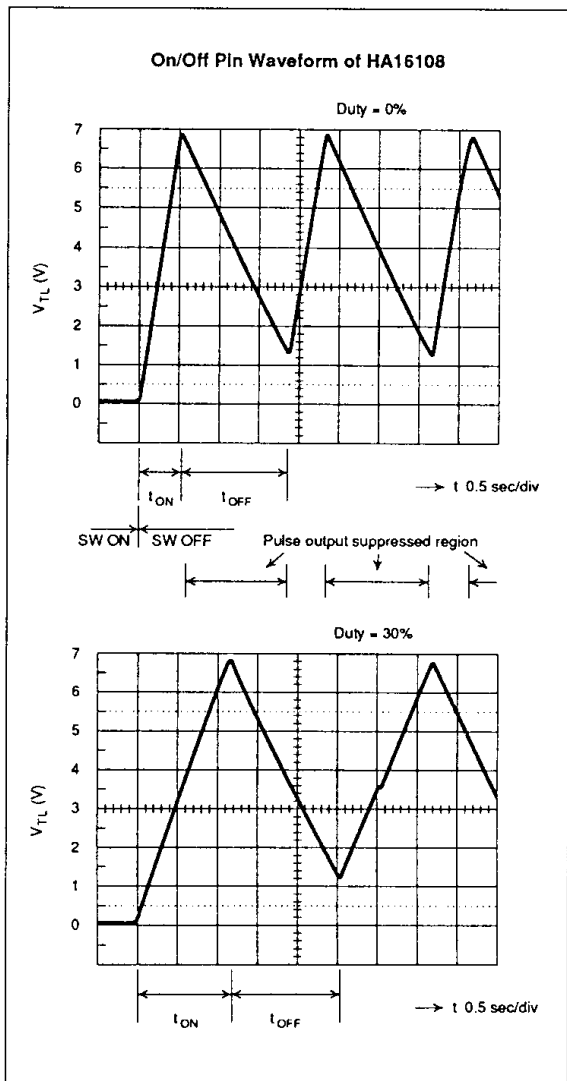


Test circuit

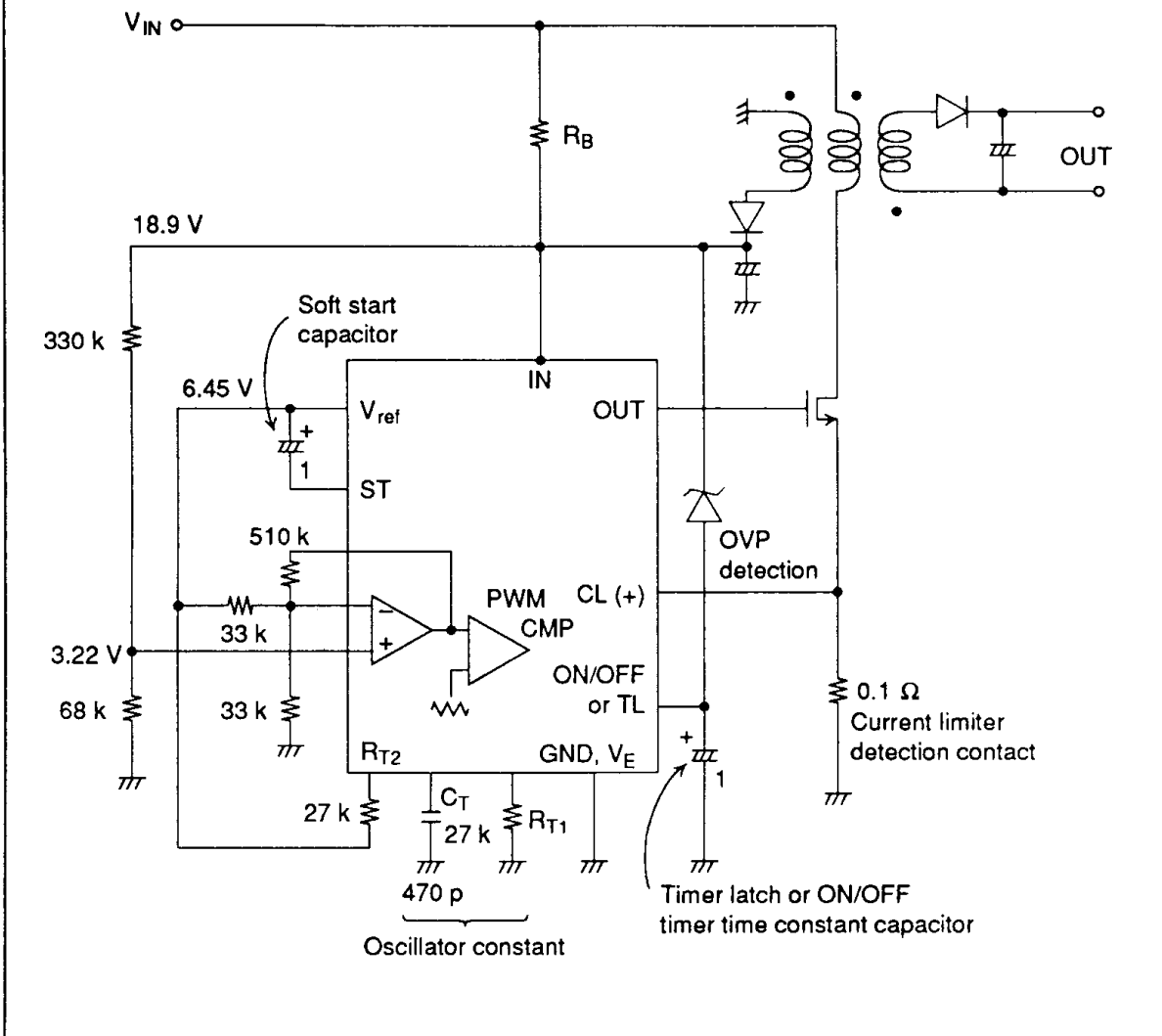


Test conditions





Operational Circuit Example



Forward Transformer Application Example

