

GaAs MMIC LOW NOISE AMPLIFIER 24 - 30 GHz

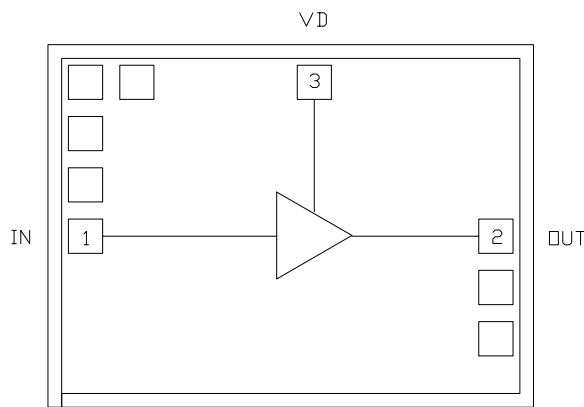
Typical Applications

Millimeterwave Point-to-Point Radios
 Local Multi-Point Distribution Systems (LMDS)
 VSAT and other SATCOM Applications

Features

Excellent Noise Figure: 2.5 dB
 Gain: 13 dB
 Single Supply : +3V @ 30 mA
 Small Size: 1.06 mm x 1.42 mm

Functional Diagram



General Description

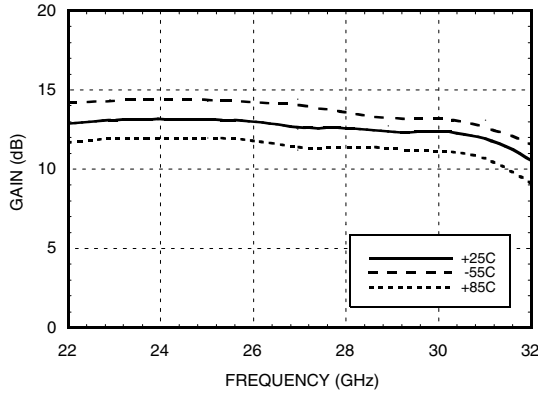
The HMC341 chip is a GaAs MMIC Low Noise Amplifier (LNA) which covers the frequency range of 24 to 30 GHz. The chip can easily be integrated into Multi-Chip Modules (MCMs) due to its small (1.51 mm²) size. The chip utilizes a GaAs PHEMT process offering 13 dB gain from a single bias supply of + 3V @ 30 mA with a noise figure of 2.5 dB. All data is with the chip in a 50 ohm test fixture connected via 0.025 mm (1 mil) diameter wire bonds of minimal length 0.31 mm (<12 mils).

Guaranteed Performance, Vdd = +3V, +25° C

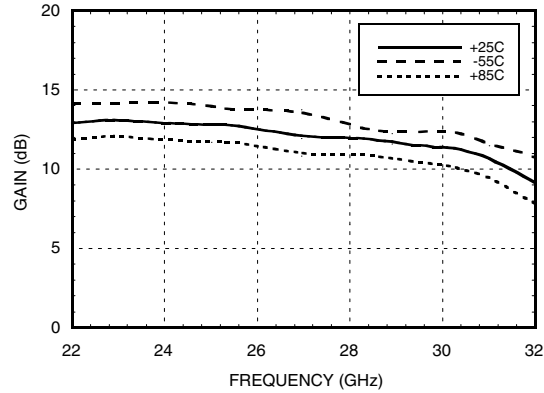
Parameter	Min.	Typ.	Max.	Units
Frequency Range		24 - 30		GHz
Gain	10	13	16	dB
Gain Variation Over Temperature		.03	.04	dB/ °C
Noise Figure				dB
	26 - 30 GHz	2.5	3.5	
	24 - 26 GHz	2.9	3.9	
Input Return Loss	9	13		dB
Output Return Loss	9	13		dB
Reverse Isolation	25	30		dB
Output Power for 1dB Compression (P1dB)	2	6		dBm
Saturated Output Power (P _{sat})	6	10		dBm
Output Third Order Intercept (IP3)	12	16		dBm
Supply Current (I _{dd})		30		mA

GaAs MMIC LOW NOISE AMPLIFIER 24 - 30 GHz

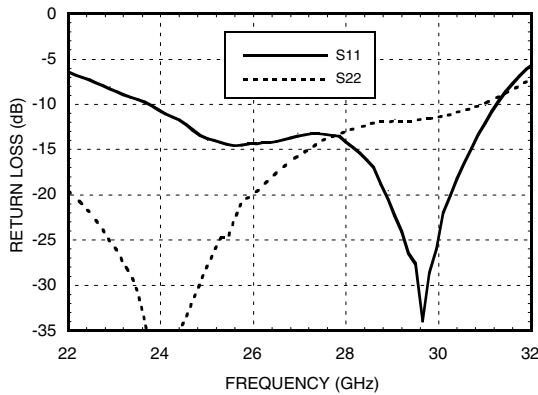
Gain vs. Temperature @ Vdd = +3V



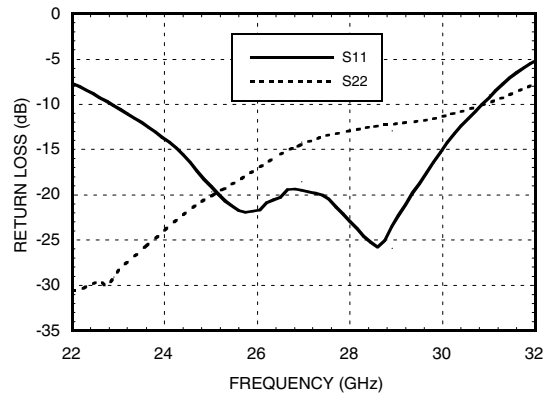
Gain vs. Temperature @ Vdd = +5V



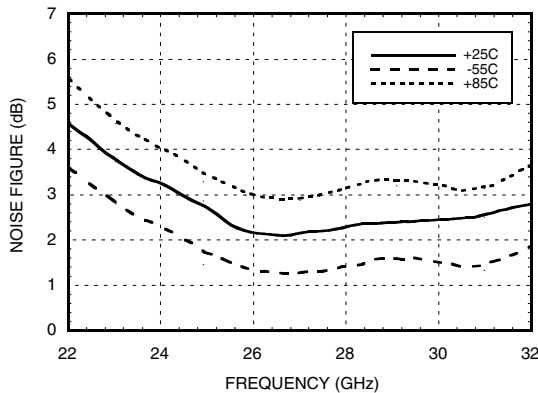
Return Loss @ Vdd = +3V



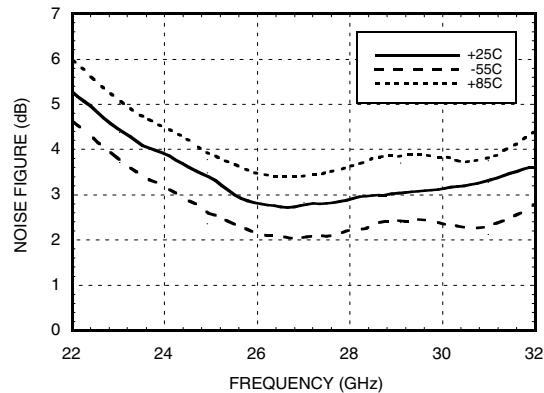
Return Loss @ Vdd = +5V



Noise Figure vs. Temperature @ Vdd = +3V

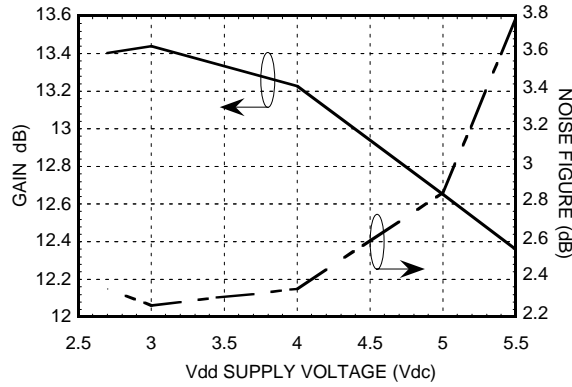


Noise Figure vs. Temperature @ Vdd = +5V

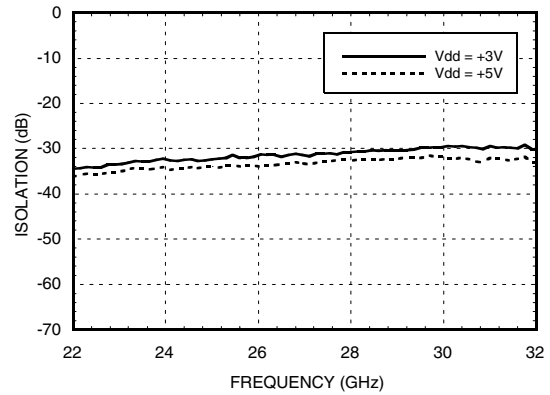


GaAs MMIC LOW NOISE AMPLIFIER 24 - 30 GHz

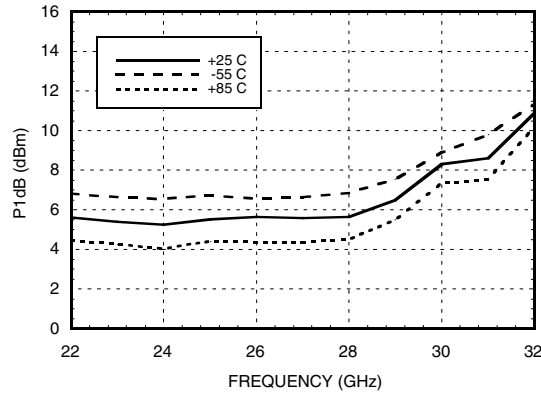
Gain & Noise Figure vs. Supply Voltage @ 28 GHz



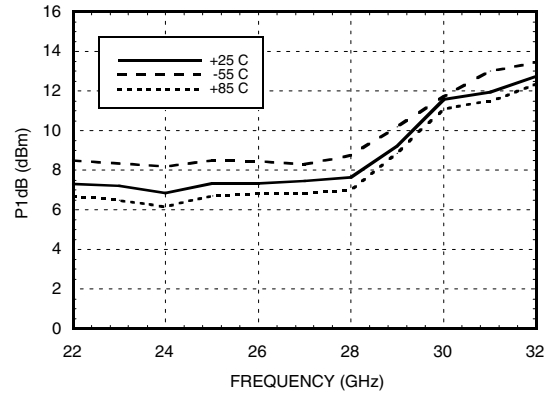
Isolation



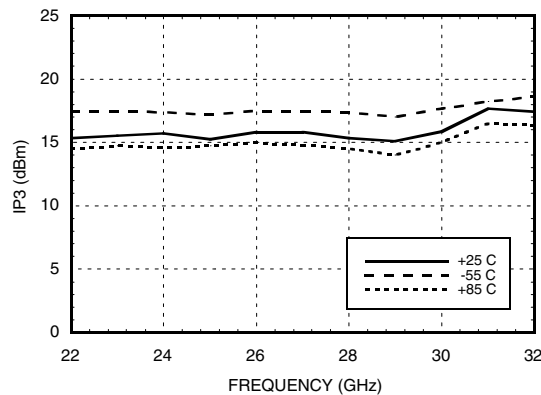
Output P1dB @ Vdd = +3V



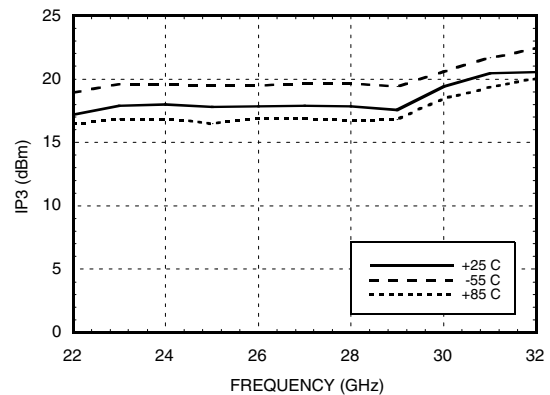
Output P1dB @ Vdd = +5V



Output IP3 @ Vdd = +3V



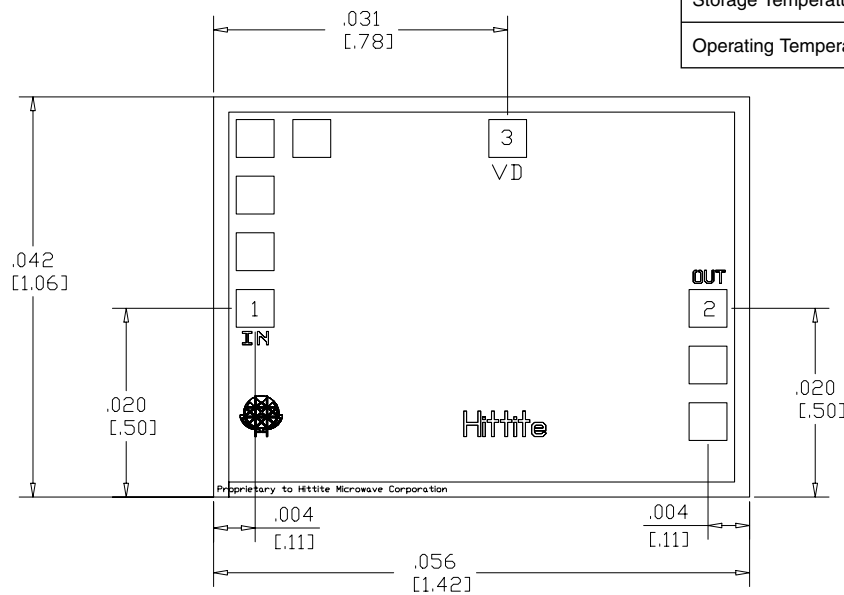
Output IP3 @ Vdd = +5V



GaAs MMIC LOW NOISE AMPLIFIER 24 - 30 GHz

Pad Locations & Outline Drawing

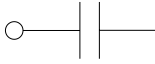

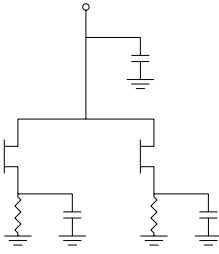
ALL DIMENSIONS IN INCHES (MILLIMETERS)
ALL TOLERANCES ARE ± 0.001 (0.025)
DIE THICKNESS IS 0.004 (0.100) BACKSIDE IS GROUND
BOND PADS ARE 0.004 (0.100) SQUARE
BOND PAD SPACING, CTR-CTR: 0.006 (0.150)
BACKSIDE METALLIZATION: GOLD
BOND PAD METALLIZATION: GOLD



Absolute Maximum Ratings

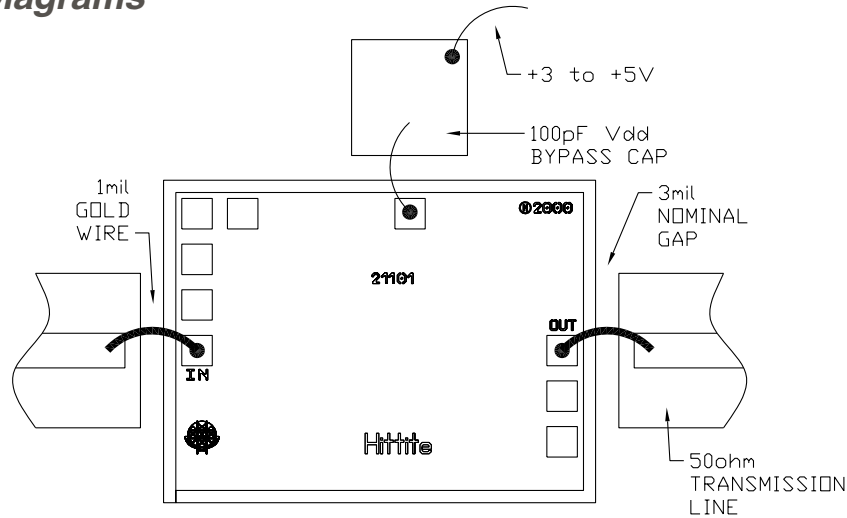
Supply Voltage (Vdd)	+5.5 Vdc
Input Power (RFin) (Vdd= +3V)	+5 dBm
Channel Temperature (Tc)	175 °C
Continuous P _{diss} (T= 85 °C) (derate 3.44 mW/°C above 85 °C)	310 mW
Storage Temperature	-65 to +150° C
Operating Temperature	-55 to +85° C

Pad Description

Pad Number	Function	Description	Interface Schematic
1	RF Input	This pad is AC coupled and matched to 50 ohm from 24 - 30 GHz	
2	RF Output	This pad is AC coupled and matched to 50 ohm from 24 - 30 GHz	
3	Vdd	Power supply for the 2-stage amplifier. An external RF bypass capacitor of 100 - 300 pF is required. The bond length to the capacitor should be as short as possible. The ground side of the capacitor should be connected to the housing ground.	

GaAs MMIC LOW NOISE AMPLIFIER 24 - 30 GHz

Assembly Diagrams



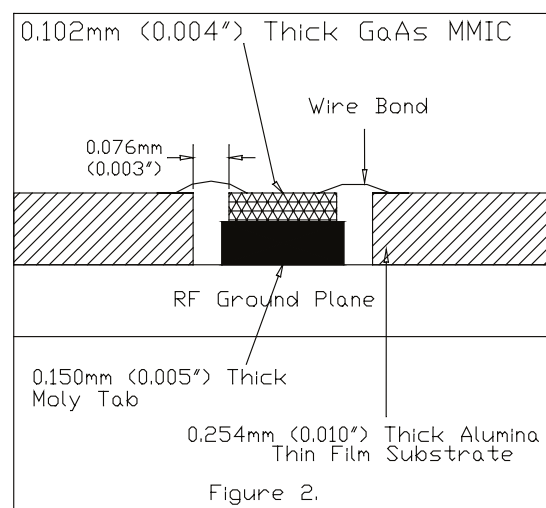
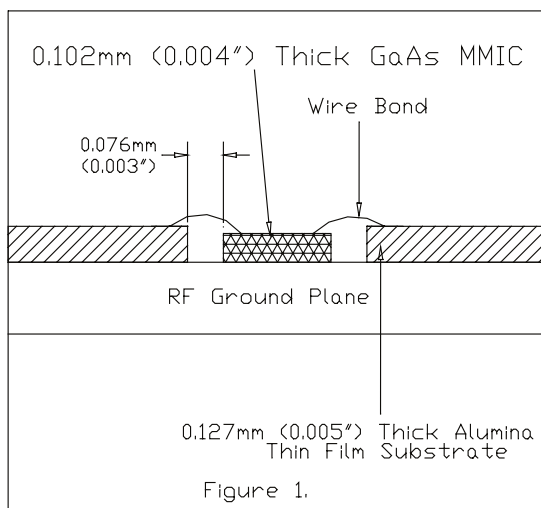
Mounting & Bonding Techniques for Millimeterwave GaAs MMICs

The die should be attached directly to the ground plane eutectically or with conductive epoxy (see HMC general Handling, Mounting, Bonding Note).

50 Ohm Microstrip transmission lines on 0.127mm (5 mil) thick alumina thin film substrates are recommended for bringing RF to and from the chip (Figure 1). If 0.254mm (10 mil) thick alumina thin film substrates must be used, the die should be raised 0.150mm (6 mils) so that the surface of the die is coplanar with the surface of the substrate. One way to accomplish this is to attach the 0.102mm (4 mil) thick die to a 0.150mm (6 mil) thick molybdenum heat spreader (moly-tab) which is then attached to the ground plane (Figure 2).

Microstrip substrates should be brought as close to the die as possible in order to minimize bond wire length. Typical die-to-substrate spacing is 0.076mm to 0.152 mm (3 to 6 mils).

An RF bypass capacitor should be used on the Vdd input. A 100 pF single layer capacitor (mounted eutectically or by conductive epoxy) placed no further than 0.762mm (30 Mils) from the chip is recommended.



**GaAs MMIC LOW NOISE
AMPLIFIER 24 - 30 GHz*****Handling Precautions***

Follow these precautions to avoid permanent damage.

Cleanliness:

Handle the chips in a clean environment.
DO NOT attempt to clean the chip using liquid cleaning systems.

Static Sensitivity:

Follow ESD precautions to protect against $> \pm 250V$ ESD strikes (see page 8 - 2).

Transients:

Suppress instrument and bias supply transients while bias is applied.
Use shielded signal and bias cables to minimize inductive pick-up.

General Handling:

Handle the chip along the edges with a vacuum collet or with a sharp pair of bent tweezers.
The surface of the chip has fragile air bridges and should not be touched with vacuum collet, tweezers, or fingers.

Mounting

The chip is back-metallized and can be die mounted with AuSn eutectic preforms or with electrically conductive epoxy.
The mounting surface should be clean and flat.

Eutectic Die Attach:

A 80/20 gold tin preform is recommended with a work surface temperature of 255 deg. C and a tool temperature of 265 deg. C. When hot 90/10 nitrogen/hydrogen gas is applied, tool tip temperature should be 290 deg. C.
DO NOT expose the chip to a temperature greater than 320 deg. C for more than 20 seconds. No more than 3 seconds of scrubbing should be required for attachment.

Epoxy Die Attach:

Apply a minimum amount of epoxy to the mounting surface so that a thin epoxy fillet is observed around the perimeter of the chip once it is placed into position.
Cure epoxy per the manufacturer's schedule.

Wire Bonding

Ball or wedge bond with 0.025 mm (1 mil) diameter pure gold wire. Thermosonic wirebonding with a nominal stage temperature of 150 deg. C and a ball bonding force of 40 to 50 grams or wedge bonding force of 18 to 22 grams is recommended. Use the minimum level of ultrasonic energy to achieve reliable wirebonds.
Wirebonds should be started on the chip and terminated on the package or substrate. All bonds should be as short as possible < 0.31 mm (12 mils).