



ICM105B Color VGA CMOS Image Sensor

Data Sheet

V1.6

August 2002

IC Media Corporation

545 East Brokaw Road
San Jose, CA 95112, U.S.A.
Phone: (408) 451-8838
Fax: (408) 451-8839
Email: Sales@IC-Media.Com
Web Site: www.ic-media.com

IC Media Technology Corporation

6F, No. 61, ChowTze Street., NeiHu District
Taipei, Taiwan, R.O.C.
Phone: 886-2-2657-7898
Fax: 886-2-2657-8751
Email: Ap.Sales@IC-Media.Com.tw
Web Site: www.ic-media.com.tw

Important notice: This document contains information of a new product. IC Media Corp reserves the right to make any changes without further notice to any product herein to improve design, function or quality and reliability. No responsibility is assumed by IC Media Corp for its use, nor for any infringements of patents of third parties, which may result from its use.

Features

- 307,200 (640x480) pixels, VGA format, used with 1/4" optical system
- Progressive readout
- Output data format: 8-bit raw data
- Control interface: SIF
- Electronic exposure control
- On-chip 9-bit ADC
- Correlated double sampling
- Separate RGB gain
- Dead column removal
- Power down mode
- Automatic optical black compensation
- Support both master and slave mode
- Horizontal and vertical images
- Single 3.3 V power supply

General Description

ICM-105B is a single-chip digital color imaging device. It incorporates a 640x480 sensor array (650x490 in physical layout) operating at 1 ~ 30 frames per second in progressive manner. Each pixel is covered by a color filter, which formed a so-called Bayer pattern. Correlated double sampling is performed by the internal ADC and timing circuitry. The raw data can be adjusted by the digital gain. The output format is 8-bit raw data which can be fed to other DSP, color processing, or compression chips.

Application

- Digital camcorder
- Digital still camera
- Video phone
- Video conferencing
- Video mail
- Video cellular phone
- PC camera
- Security system
- Visual toy
- Industrial image capture/analysis
- Environment monitor system

Key Parameters

- Number of Active Pixels: 640x480
- Number of Physical Pixels: 650x490
- Frame Rate: 30/20/15/12/10/6/5/4/3/2/1 fps
- Pixel Size: 6.0 μm x 6.0 μm
- Sensor Area: 3.84 mm x 2.88 mm

- Main Clock Frequency: 24 MHz
- Exposure Time: 64 μ s (@ 30 fps, 1 line, 24 MHz) ~ 126 s (@ 1 fps, 65535 lines, 24 MHz)
- Sensitivity: 1.0 V/lux-sec (555 nm)
- Quantum Efficiency: 38 % (555 nm)
- Dynamic Range: 55 dB (analog), 48 dB (digital)
- Digital Gain: 1 ~ 64 x
- Fill Factor: 36%
- S/N Ratio: 45 dB @ 75% full signal level
- Sensitive to infrared illumination source
- Power Supply: 3.3 V
- Power Requirement: 25 mA (@ 30fps, 24 MHz), 14 mA (@ 15 fps, 12 MHz)
- Package: Shrunken Plastic LCC48

1. Pin Assignment

Pin #	Name	Class*	Function
14	CLKSEL	D, I, N	Clock source selection. 0: internal oscillator, 1: CLKIN
11	CLKIN	D, I, N	External clock source
12	XIN	A, I	Oscillator in
13	XOUT	A, O	Oscillator out
34	PCLK	D, O	Pixel clock output
36	OEN	D, I, N	Output enable. 0: enable, 1: disable
32	SIFCID	D, I, N	Lsb of SIF slave address
33	SIFCMS	D, I, U	SIF master/slave selection. 0: slave, 1: master (auto load from EEPROM after reset)
2	SCL	D, I/O	SIF clock
1	SDA	D, I/O	SIF data
10	POWERDN	D, I, U	Power down control, 0: power down, 1: active
16	RSET	A, I	Resistor to ground = 47 K Ω @ 24 MHz main clock, 51 K Ω @ 24 MHz
8	RSTN	D, I, U	Chip reset, active low
48	DOUT[7]	D, O	Data output bit 7
47	DOUT[6]	D, I/O	Data output bit 6; if pulled up/down, the initial value of TIMING_CONTROL_LOW[2] (VSYNC polarity) is 1/0
46	DOUT[5]	D, I/O	Data output bit 5; if pulled up/down, the initial value of TIMING_CONTROL_LOW[1] (HSYNC polarity) is 1/0
44	DOUT[4]	D, I/O	Data output bit 4; if pulled up/down, the initial value of AD_IDL[3] (Sub ID) is 1/0
41	DOUT[3]	D, I/O	Data output bit 3; if pulled up/down, the initial value of AD_IDL[2] (Sub ID) is 1/0
39	DOUT[2]	D, I/O	Data output bit 2; if pulled up/down, the initial value of AD_IDL[1] (Sub ID) is 1/0
38	DOUT[1]	D, I/O	Data output bit 1; if pulled up/down, the initial value of AD_IDL[0] (Sub ID) is 1/0
37	DOUT[0]	D, I/O	Data output bit 0; if pulled up/down, the synchronization mode is in master/slave mode which requires HSYNC and VSYNC operating in output/input mode
3	HSYNC	D, I/O	Horizontal sync signal
5	VSYNC	D, I/O	Vertical sync signal
35	FLASH	D, O	Flash light control
15	RAMP	A, O	Analog ramp output
7, 31	VDDA	P	Sensor analog power
9, 30	GNDA	P	Sensor analog ground
19	VDDD	P	Sensor digital power
17	GNDD	P	Sensor digital ground
4, 43	VDDK	P	Digital power
6, 45	GNDK	P	Digital ground
40	VDDO	P	Pad power
42	GNDO	P	Pad ground
18	GNDS	P	Substrate ground

Class Code: A – Analog signal, D – Digital signal, I – Input, O – Output, P – Power or ground, U – Internal pull-up, N – Internal pull-down

2. Functional Description

ICM-105B is a single-chip digital color imaging device. It includes a 640x480 sensor array, 640 column-level ADC, and correlated double sampling circuitry. All the programmable parameters are set by writing into the SIF interface which can address the register file consisting of 8-bit registers. The output format is 8-bit raw data, together with horizontal and vertical sync signals.

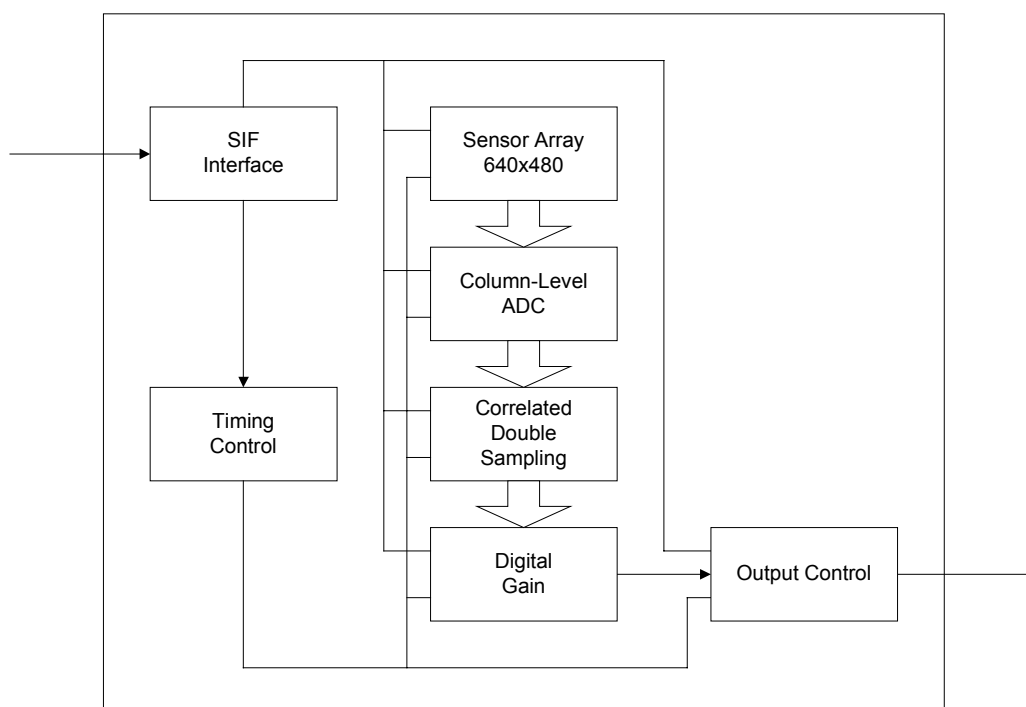


Figure 1. Block diagram

2.1 Image Array

The image array consists of 640x480 pixels. Each pixel has a light sensitive photo diode and a set of control and transfer transistors. At the beginning of the cycle, a row of pixels are pre-charged to its maximum value. Then they are exposed to light for several lines worth of time and sampled by the ADC. Correlated double sampling (CDS) is performed by subtracting the reset value (sampled right before sampling the signal) from the signal value. The purpose of CDS is to eliminate the point-wise fixed pattern noise (FPN). The output of CDS is approximately proportional to the amount of received light, ranging from 0 to 255.

2.2 Color Filter

Each pixel is covered by a color filter. They form the Bayer Pattern as shown in Figure 2. (Row 0, Column 0) is covered by a Red filter, (Row 0, Column 1) and (Row 1, Column 0) by Green filters, and (Row 1, Column 1) by a Blue filter. Since each pixel only gets part of the frequency band, the data need further processing (i.e., color interpolation and color correction) in order to approximate the full visible spectrum.

R	G	R	G	R	G	R	G
G	B	G	B	G	B	G	B
R	G	R	G	R	G	R	G
G	B	G	B	G	B	G	B

Figure 2. Color filter Bayer pattern

2.3 Exposure and Gain Control

The brightness of the scene may change by a great amount that renders the captured image either over-exposed or under-exposed. To accommodate for different brightness, the user may change the exposure time by adjusting the AD_EXPOSE_TIMEH and AD_EXPOSE_TIMEL. The exposure time is measured in terms of the time to read out one line of data, which is equal to 64.17 μ s (assuming the line length is 770 @ 24 MHz). If the number of lines per frame is set at 520 (the default), the exposure time can vary from 1 to 519 lines. In addition, the user can adjust bit 7 to 5 of register AD_COL_BEGINH to digitally boost the output value by 1 to 64 times.

2.4 Timing Control

Timing control is performed by programming a 32-entry wave table. Its content is filled by external circuitry after power up. Bits 19 to 10 are the control signals. Bits 9 to 0 are the change position. Whenever the change position equals the column counter, a new set of signal values are applied. Please see the Wave Table Programming section for details.

2.5 Output Format

During normal operation, the output format is 8-bit raw data that ranges from 0 to 255. It may be used for off-chip color processing or compression. A typical configuration is to connect ICM-105B to a USB/Compression combo chip. When operated at 30 fps, the PCLK is 12 MHz when the input main clock is 24 MHz.

In addition to the data pins, the chip also output VSYNC, HSYNC, and PCLK. The length and polarity of VSYNC and HSYNC can be adjusted through registers. The line and frame timing can be adjusted through registers AD_WIDTH and AD_HEIGHT.

2.6 SIF Interface

Register programming is through SIF interface (SCL and SDA pins). The 7-bit SIF device address is 0x20 by default, but the last bit can be configured by the SIFID pin. ICM-105B can operate in either SIF master mode or slave mode right after power up, depending on the pull-up or pull-down of the SIFMS pin. When SIFMS is pulled low during power-up, ICM-105B's SIF interface is operated as an SIF slave device, waiting to be controlled by an external SIF master such as a microprocessor. When SIFMS is pulled high during power-up, the SIF interface is first acting as an SIF master device trying to read from an external SIF EEPROM. After that, it will fall back to behave like an SIF slave.

3. SIF Registers

Address	Name	Default	Description
0x00	PART_CONTROL	0	Processing control [0] 0: normal mode, 1: single frame mode [1] Slope adjustment enable [2] Exposure time control, writing a 1 will activate the new value set in AD_EXPOSE_TIME, when read back from it, 0 means either the exposure time change is finished (in video mode) or the entire frame is transmitted (in single frame mode), 1 means either the exposure time change is still in progress (in video mode) or the frame is yet to finish (in single frame mode) [6:3] Frame rate, 0: 30 fps 1: 20 fps 2: 15 fps 3: 12 fps 4: 10 fps 5: 6 fps 6: 5 fps 7: 4 fps 8: 3 fps 9: 2 fps 10: 1 fps [7] Latent change, writing a 1 means the changed latent registers now starts taking effect, when the entire operation is done, the read back value of this bit will change from 1 to 0.
0x01 0x02	TIMING_CONTROL_LOW TIMING_CONTROL_HIGH	0x0019	Timing control [0] Column count enable, set to 0 when filling wave table, set to 1 when normal operation [1] HSYNC polarity, 0: active low, 1: active high, the initial value is determined by DOUT[5] [2] VSYNC polarity, 0: active low, 1: active high, the initial value is determined by DOUT[6] [3] Auto dark correction enable [4] Timing select, 0: wave table timing, 1: default timing [6] Flash polarity, 0: active low, 1: active high [7] Blank polarity, 0: active low, 1: active high [8] IRST select, 0: from wave table, 1: from IRST_NUMBER register [10] Capture: when in single frame mode, writing a 1 here will start a frame capture [11] Dead column removal mode, 0: color, 1: black-and-white [12] Out-of-array exposure pointer control, 0: point to row 487, 1: point to row 490 (a non-existent row)

			[13] Column stop, 0: sensor column counter stop at 649 when exceeding real array, 1: sensor column counter keeps counting
0x0C 0x0D	AD_WIDTHL AD_WIDTHH	0x0302 (770)	[9:0] Frame width
0x0E 0x0F	AD_HEIGHTL AD_HEIGHTH	0x0208 (520)	[15:0] Frame height, should not be less than AD_ROW_BEGIN + 490
0x10 0x11	AD_COL_BEGINL AD_COL_BEGINH	0x0064 (100)	[9:0] Beginning of active line in terms of column position [10] Left-right mirror image enable [15:13] Digital gain 0: 1 1: 2 2: 4 3: 8 4: 16 5: 32 6: 64
0x14 0x15	AD_ROW_BEGINL AD_ROW_BEGINH	0x000A (10)	[15:0] Beginning of active frame in terms of row position
0x18 0x19	AD_HSYNC_ENDL AD_HSYNC_ENDH	0x0040 (64)	[9:0] End of horizontal sync in terms of column position
0x1A 0x1B	AD_VSYNC_ENDL AD_VSYNC_ENDH	0x0003 (3)	[15:0] End of vertical sync in terms of row position
0x1C 0x1D	AD_EXPOSE_TIMEL AD_EXPOSE_TIMEH	0x0207 (519)	[15:0] Exposure time in terms of number of rows
0x20 0x21	AD_M1_L AD_M1_H	0x0100 (256)	[10:0] Gain coefficient (Gr), in unsigned 3.8 (default) format
0x22 0x23	AD_M2_L AD_M2_H	0x0100 (256)	[10:0] Gain coefficient (R), in unsigned 3.8 (default) format
0x24 0x25	AD_M3_L AD_M3_H	0x0100 (256)	[10:0] Gain coefficient (B), in unsigned 3.8 (default) format
0x26 0x27	AD_M4_L AD_M4_H	0x0100 (256)	[10:0] Gain coefficient (Gb), in unsigned 3.8 (default) format
0x52	AD_INOUTSEL	0	[4:0] Output format 0: unsigned 3.8 format 1: unsigned 4.7 format 2: unsigned 5.6 format 3: unsigned 6.5 format 8: control signals 9: row address 10: column address 11: sensor raw data 4-7, 12-31: 8-bit raw data
0x53	AD_RAMPSEL	0x04	[7] External reference voltage enable
0x54 0x55	AD_DSRSTL AD_DSRSTH	0	[8:0] Reset (DA1) overflow value
0x56 0x57	AD_DSdatal AD_DSdatah	0x01F9 (505)	[8:0] Data (DA2) overflow value
0x58 0x59	AD_DSLOWL AD_DSLOWH	0x00FF (255)	[8:0] Ramp low threshold
0x5A 0x5B	AD_DSHIGHL AD_DSHIGHH	0x011D (285)	[8:0] Ramp high threshold

0x6E 0x6F	AD_DEAD0L AD_DEAD0H	0x03FF	[9:0] Dead column #0 in terms of real sensor array
0x70 0x71	AD_DEAD1L AD_DEAD1H	0x03FF	[9:0] Dead column #1 in terms of real sensor array
0x72 0x73	AD_DEAD2L AD_DEAD2H	0x03FF	[9:0] Dead column #2 in terms of real sensor array
0x74 0x75	AD_DEAD3L AD_DEAD3H	0x03FF	[9:0] Dead column #3 in terms of real sensor array
0x76 0x77	AD_DEAD4L AD_DEAD4H	0x03FF	[9:0] Dead column #4 in terms of real sensor array
0x78 0x79	AD_DEAD5L AD_DEAD5H	0x03FF	[9:0] Dead column #5 in terms of real sensor array
0x7A 0x7B	AD_DEAD6L AD_DEAD6H	0x03FF	[9:0] Dead column #6 in terms of real sensor array
0x7C 0x7D	AD_DEAD7L AD_DEAD7H	0x03FF	[9:0] Dead column #7 in terms of real sensor array
0x7E 0x7F	AD_DEAD8L AD_DEAD8H	0x03FF	[9:0] Dead column #8 in terms of real sensor array
0x80 0x81	AD_DEAD9L AD_DEAD9H	0x03FF	[9:0] Dead column #9 in terms of real sensor array
0x82 0x83	AD_IDL AD_IDH	0x9050	[3:0] Sub ID, automatically sampled from pins DOUT[4:1] during reset [15:4] Device ID, default 0x905, can be configured using SIF
0x84 0x85	AD_FLASH_BEGINL AD_FLASH_BEGINH	0x01EA (490)	[15:0] Flash light begin position in terms of rows
0x86 0x87	AD_FLASH_ENDL AD_FLASH_ENDH	0x01F4 (500)	[15:0] Flash light end position in terms of rows
0x88 0x89	AD_BWIDTH_BEGINL AD_BWIDTH_BEGINH	0x008B (139)	[9:0] Blank begin in terms of columns
0x8A 0x8B	AD_BWIDTH_ENDL AD_BWIDTH_ENDH	0x030A (778)	[9:0] Blank end in terms of columns
0x8C 0x8D	AD_BHEIGHT_BEGINL AD_BHEIGHT_BEGINH	0x000E (14)	[15:0] Blank begin in terms of rows
0x8E 0x8F	AD_BHEIGHT_ENDL AD_BHEIGHT_ENDH	0x01ED (493)	[15:0] Blank end in terms of rows
0x90	AD_DARK_DATA	0	[7:0] When auto dark correction is disabled, serve as the subtrahend for dark correction
0x91	AD_SLOPEREG	0x4A	[3:0] Slope rate select, larger value means steeper ramp slope, resulting in larger ADC conversion value [6:4] Slope begin voltage select 0: 1.4 V 1: 1.5 V 2: 1.6 V 3: 1.7 V 4: 1.8 V (default) 5: 1.9 V 6: 2.0 V 7: 2.1 V
0x94	AD_BITCONTROL	0	[0] External ramp enable [1] Internal ramp reference 0: reference to GND

			1: reference to Vdd [2] Bit line read out power down 0: active 1: power down [3] Bit line read select 0: bit line 3 is read out 1: bit line 646 is read out [4] Bit line 3 external input enable [5] Bit line 646 external input enable
0x95 0x96	AD_SLOPE_END_TIMEL AD_SLOPE_END_TIMEH	0x02A9 (681)	[9:0] When auto slope adjustment is turned on, if the slope counter exceeds this value, the ramp will become steeper
0x97 0x98	AD_WT_BEGINL AD_WT_BEGINH	0	[9:0] Wave table beginning point
0x99 0x9A	AD_WT_ENDL AD_WT_ENDH	0x03FC (1020)	[9:0] Wave table end point, when it is reached, the waveform will remain fixed until the start of next row
0x9B 0x9C	AD_SUB_EN_TIMEL AD_SUB_EN_TIMEH	0x02F8 (760)	[9:0] Column position where the CDS subtraction pulse is applied
0x9F 0xA0	AD_EXPOSE_TIMEL_C AD_EXPOSE_TIMEH_C	0x0207 (519)	[15:0] Current exposure time, read only
0xA1 0xA2	AD_WIDTHL_C AD_WIDTHH_C	0x0302 (770)	[9:0] Current frame width, read only
0xA3 0xA4	AD_HEIGHTL_C AD_HEIGHTH_C	0x0208 (520)	[15:0] Current frame height, read only
0xA5 0xA6	AD_COL_BEGINL_C AD_COL_BEGINH_C	0x0064 (100)	[9:0] Current column beginning position, read only
0xA7 0xA8	AD_ROW_BEGINL_C AD_ROW_BEGINH_C	0x000A (10)	[9:0] Current row beginning position, read only
0xA9 0xAA	AD_HSYNC_ENDL_C AD_HSYNC_ENDH_C	0x0040 (64)	[9:0] Current HSync end position, read only
0xAB 0xAC	AD_VSYNC_ENDL_C AD_VSYNC_ENDH_C	0x0003 (3)	[15:0] Current VSync end position, read only
0xAD	AD_PART_CONTROL_C	0	[7:0] Current part control setting, read only
0xAE 0xAF	AD_WT_BEGINL_C AD_WT_BEGINH_C	0	[9:0] Current wave table beginning point, read only
0xB0 0xB1	AD_WT_ENDL_C AD_WT_ENDH_C	0x03FC (1020)	[9:0] Current wave table end point, read only
0xB6 0xB7	AD_F_MAX_ADDRL AD_F_MAX_ADDRH	0x01E9 (489)	[15:0] Threshold above which the row address mapping mechanism will be activated
0xB8 0xB9	AD_F_OVERL AD_F_OVERH	0x01EA (490)	[15:0] Second threshold above which another address mapping is kicking in
0xBA 0xBB	AD_F_LIMITAL AD_F_LIMITAH	0x01EB (491)	[15:0] The substitute row address when the original address is above AD_F_OVER in the vertically flipped mode and when TIMING_CONTROL[12] is 0
0xBC 0xBD	AD_F_LIMITBL AD_F_LIMITBH	0x0002 (2)	[15:0] The substitute row address when the original address is above AD_F_OVER in the vertically flipped mode and when TIMING_CONTROL[12] is 1
0xBE 0xBF	AD_F_LIMITCL AD_F_LIMITCH	0x01EA (490)	[15:0] The substitute row address when the original address is between AD_F_MAX_ADDR and AD_F_OVER in vertically flipped mode

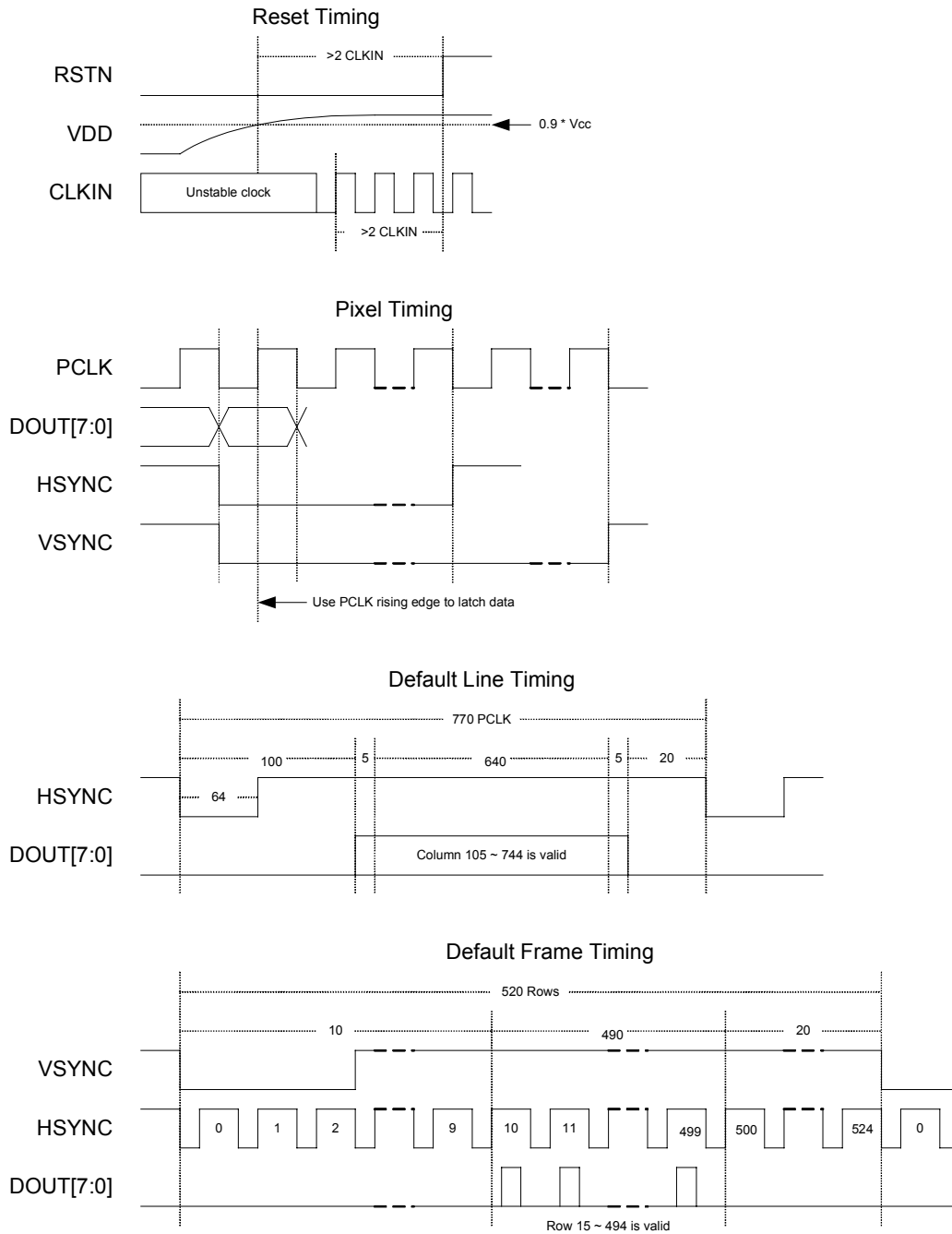
4. Electrical Characteristics

4.1 DC Characteristics

Symbol	Parameter	Rating			Unit
		Minimum	Typical	Maximum	
V _{CCA}	Absolute Power Supply	-0.3		3.8	V
V _{INA}	Absolute Input Voltage	-0.3		V _{CC} + 0.3	V
V _{OUTA}	Absolute Output Voltage	-0.3		V _{CC} + 0.3	V
T _{STG}	Storage Temperature	0	25	65	°C
V _{CC}	Operating Power Supply	3.14	3.3	3.47	V
V _{IN}	Operating Input Voltage	0		V _{CC}	V
T _{OPR}	Operating Temperature	0	25	55	°C
I _{DD}	Operating Current @ V _{CC} =3.3 V, 25 °C		30		mA
I _{IL}	Input Low Current	-1		1	μA
I _{IH}	Input High Current	-1		1	μA
I _{OZ}	Tri-state Leakage Current	-10		10	μA
C _{IN}	Input Capacitance		3		pF
C _{OUT}	Output Capacitance		3		pF
C _{BID}	Bi-directional Buffer		3		pF

	Capacitance				
V _{IL}	Input Low Voltage			0.3 * V _{CC}	V
V _{ILS}	Schmitt Input Low Voltage		1.1		V
V _{IH}	Input High Voltage	0.7 * V _{CC}			V
V _{IHS}	Schmitt Input High Voltage		1.8		V
V _{OL}	Output Low Voltage			0.4	V
V _{OH}	Output High Voltage	2.4			V
R _L	Input Pull-up/down Resistance		50		KΩ

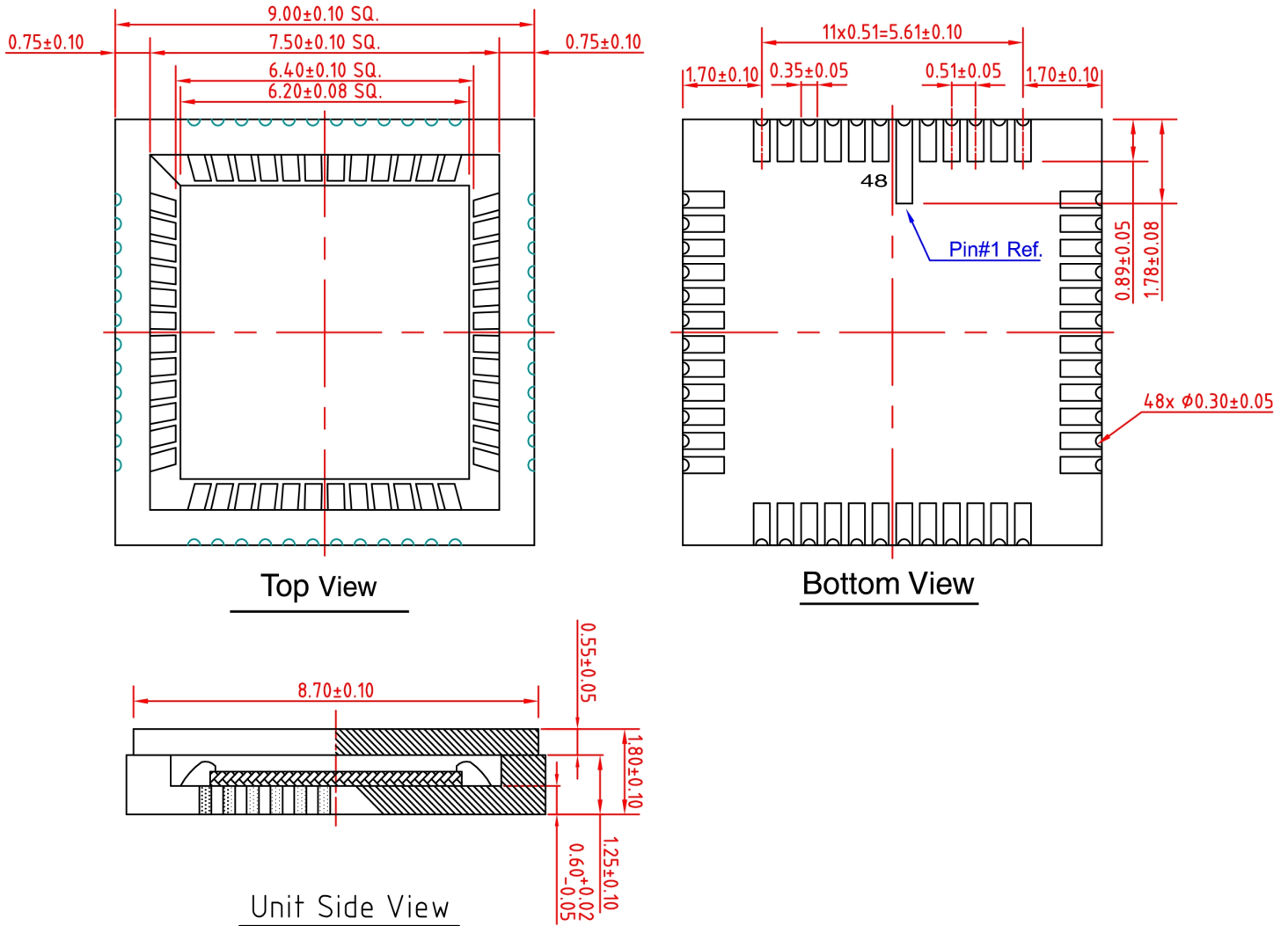
4.2 Timing



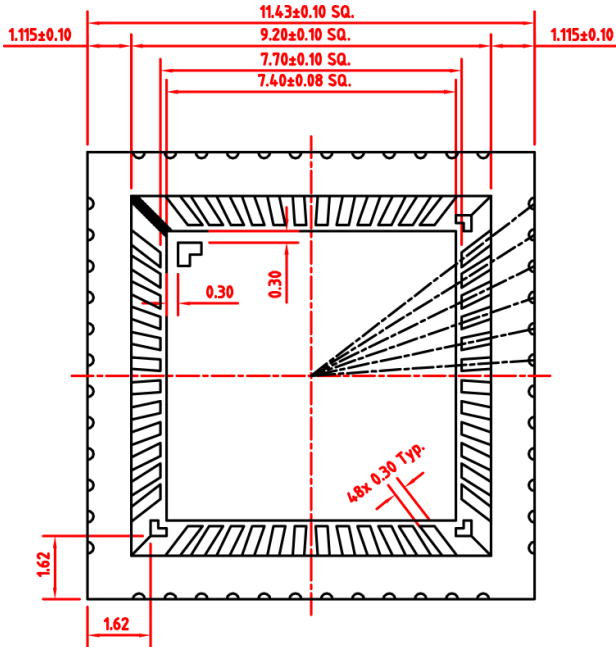
4.3 Pixel Clock Duty Cycle

In different frame rate mode (controlled by PART_CONTROL[6:3]), the duty cycle (high time / clock period) of the PCLK signal is described in the following table:

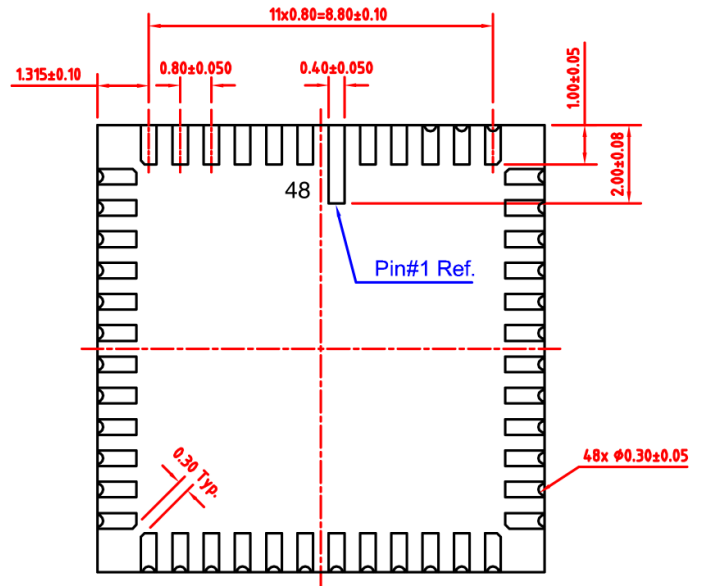
Frame Rate	Duty Cycle
30	50.0%
20	66.6%
15	50.0%
12	60.0%
10	50.0%
6	50.0%
5	50.0%
4	53.3%
3	50.0%
2	50.0%
1	50.0%

5. Mechanical Information


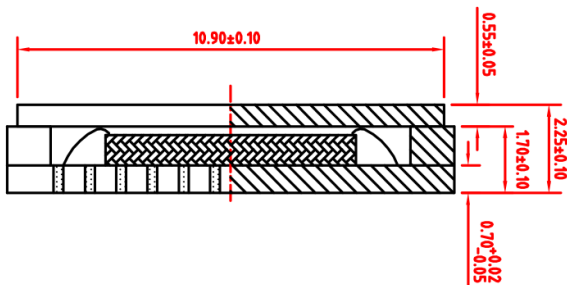
9 x 9 mm "T" LCC48 Plastic Packaging



Unit Top View



Unit Bottom View



Unit Side View

11.43 x 11.43 mm "S" LCC48 Shrunken Plastic Packaging

6. Ordering Information

<i>Description</i>	<i>Package Size</i>	<i>Part Number</i>
VGA resolution sensor (3.3 V), "S" Plastic LCC48 Packaged	11.43 x 11.43 mm	ICM-105Bsa
VGA resolution sensor (3.3V), "T" Plastic LCC48 Packaged	9 x 9 mm	ICM-105Bta

IC Media Corporation

545 East Brokaw Road
San Jose, CA 95112, U.S.A.
Phone: (408) 451-8838
Fax: (408) 451-8839
Email: Sales@IC-Media.Com
Web Site: www.ic-media.com

IC Media Technology Corporation

6F, No. 61, ChowTze Street., NeiHu District
Taipei, Taiwan, R.O.C.
Phone: 886-2-2657-7898
Fax: 886-2-2657-8751
Email: Sales@IC-Media.Com.tw
Web Site: www.ic-media.com.tw