

Frequency Generator for Workstation Systems

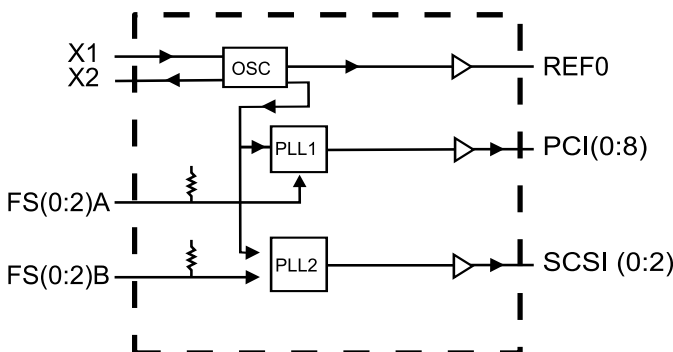
General Description

The **ICS9169A-70** is a low-cost frequency generator designed specifically for workstation or PC system clocks. The integrated buffer minimizes skew and provides all the clocks required. A 14.318 MHz XTAL oscillator provides the reference clock to generate standard Pentium frequencies. The CPU clock makes gradual frequency transitions without violating the PLL timing of internal microprocessor clock multipliers.

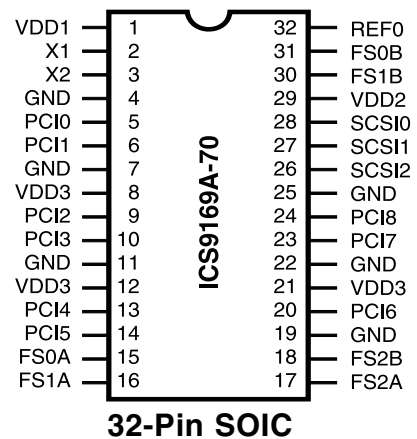
Features

- 9 PCI outputs selectable from 30 to 66.6MHz
- 3 SCSI outputs, selectable from 10 to 80MHz
- 500ps skew window for all synchronous clock edges
- Integrated buffer outputs drive up to 30pF loads
- 500ps output to output skew window
- Buffers drive 30pF loads nominally 0.8V/ns skew rate
- 3.0V - 3.7V supply range
- 32-pin SOIC package
- 48 MHz clock for USB support and 24 MHz clock for FD

Block Diagram



Pin Configuration





Pin Descriptions

PIN NUMBER	PIN NAME	TYPE	DESCRIPTION
1	VDD1	PWR	Power for logic, PLL and output buffers.
2	X1	IN	XTAL or external reference frequency input. This input includes XTAL load capacitance and feedback bias for a 12-16 MHz crystal, nominally 14.31818 Mhz.
3	X2	OUT	XTAL output which includes XTAL load capacitance.
5,6,9,10,13,14,20,23,24	PCI(0:8)	OUT	PCI clock outputs
4,7,11,19,22,25	GND	PWR	Ground for logic, PLL and output buffers.
8,12,21	VDD3	PWR	Power for PCI clock outputs
15,16,17	FS(0:2)A	IN	Frequency multiplier select pins. See table above. These inputs have internal pull up devices.
29	VDD2	PWR	Power for SCSI clock outputs
28,27,26	SCSI (0:2)	OUT	SCSI clock outputs
31,30,18	FS(0:2)B	IN	Frequency multiplier select pins. See table next page. These inputs have internal pull up devices
32	REF0	OUT	REF is a buffered copy of the crystal oscillator or reference input clock, nominally 14.31818 MHz.

Note:

X1, X2 contain internal 18pF crystal load cap. Intended to have external load caps of 15 to 18pF required for nominal crystal of 17 to 18pF crystal total load.



VDD = 3.3±10%, TA = 0 to 70°C
 Crystal = 14.31818MHz

SCSI outputs: SCSI(0:2)

(Assume divide by 2 from VCO)

FS2B	FS1B	FS0B	Target MHz	Actual MHz	REF MHz
0	0	0	24	24	14.318
0	0	1	48	48.07	14.318
0	1	0	10	10.02	14.318
0	1	1	20	20.05	14.318
1	0	0	40	40.09	14.318
1	0	1	50	50.11	14.318
1	1	0	60	60.14	14.318
1	1	1	80	80.18	14.318

PCI outputs: PCI (0:8)

(Assume divide by 2 from VCO)

FS2A	FS1A	FS0A	Target MHz	Actual MHz	REF MHz
0	0	0	Tristate	Tristate	Tristate
0	0	1	REF/2	REF/2	REF
0	1	0	30	30.07	14.318
0	1	1	33.3	33.27	14.318
1	0	0	50	50.11	14.318
1	0	1	55	54.89	14.318
1	1	0	60	60.14	14.318
1	1	1	66.6	66.63	14.318

Note: When FS(0:2)A is 000 or 001, the Tristate and Test modes applies to all outputs for REF, PCI, and SCSI outputs.

FS2A	FS1A	FS0A	PCI	SCSI	REF
0	0	0	Tristate	Tristate	Tristate
0	0	1	REF/2 ¹	REF/2 ¹	REF ¹

Note: 1. In Test mode, each PLL is bypassed. The clock signal at X1 (externally driven clock or the crystal) is applied to the divider circuits.



Absolute Maximum Ratings

Supply Voltage	7.0 V
Logic Inputs	GND -0.5 V to V _{DD} +0.5 V
Ambient Operating Temperature	0°C to +70°C
Storage Temperature	-65°C to +150°C

Stresses above those listed under *Absolute Maximum Ratings* may cause permanent damage to the device. These ratings are stress specifications only and functional operation of the device at these or any other conditions above those listed in the operational sections of the specifications is not implied. Exposure to absolute maximum rating conditions for extended periods may affect product reliability.

Electrical Characteristics - Input/Supply/Common Output Parameters

T_A = 0 - 70°C; Supply Voltage V_{DD} = 3.3 V +/-10% (unless otherwise stated)

PARAMETER	SYMBOL	CONDITIONS	MIN	TYP	MAX	UNITS
Input High Voltage	V _{IH}		2.0	-	-	V
Input Low Voltage	V _{IL}		-	-	0.9	V
Input High Current	I _{IH1}	V _{IN} = V _{DD}	-5	0.2	5	mA
Input Low Current	I _{IL1}	V _{IN} = 0 V	-20	-50.0	-	mA
Supply Current	I _{DD}	C _L = 0 pF; Select @ 66M		50	110	mA
Input frequency	F _i	V _{DD} = 3.3 V;		14.318		MHz
Input Capacitance ¹	C _{IN}	Logic Inputs			5	pF
	C _{INX}	X1 & X2 pins	27.0	36.0	45.0	pF
Transition Time ¹	T _{trans}	To 1st crossing of target Freq.		0.136	2.0	mS
Settling Time ¹	T _s	From 1st crossing to 1% target Freq.		63.0	600	μS
Clock Overshoot ¹	T _{sh}			1.7	4.0	MHz
Clk Stabilization ¹	T _{STAB}	From V _{DD} = 3.3 V to 1% target Freq.			3	mS

¹Guaranteed by design, not 100% tested in production.

Electrical Characteristics - REF

T_A = 0 - 70°C; V_{DD} = V_{DDL} = 3.3 V +/-10%; C_L = 20 pF (unless otherwise stated)

PARAMETER	SYMBOL	CONDITIONS	MIN	TYP	MAX	UNITS
Output High Voltage	V _{OHI}	I _{OH} = -14 mA	2.4	2.9		V
Output Low Voltage	V _{OL1}	I _{OL} = 11 mA		0.3	0.4	V
Output High Current	I _{OHI}	V _{OH} = 2.0 V		-43.0	23.0	mA
Output Low Current	I _{OL1}	V _{OL} = 0.8 V	20.0	31.0		mA
Rise Time	t _{r5} ¹	V _{OL} = 0.8 V, V _{OH} = 2.4 V		0.7	1.5	nS
Fall Time	t _{f5} ¹	V _{OH} = 2.4 V, V _{OL} = 0.8 V		0.6	1.5	nS
Duty Cycle	d _{t5} ¹	V _T = 1.5 V	40	53	60	%
Jitter	t _{j1s5} ¹	V _T = 1.5 V	-	182	400	pS
	t _{jabs5} ¹	V _T = 1.5 V	-700	-	700	pS

¹Guaranteed by design, not 100% tested in production.



Electrical Characteristics - SCSI

T_A = 0 - 70°C; V_{DD} = V_{DDL} = 3.3 V +/-10%; C_L = 20 pF (unless otherwise stated)

PARAMETER	SYMBOL	CONDITIONS	MIN	TYP	MAX	UNITS
Output High Voltage	V _{OH1}	I _{OH} = -14 mA	2.4	2.9		V
Output Low Voltage	V _{OL1}	I _{OL} = 11 mA		0.3	0.4	V
Output High Current	I _{OH1}	V _{OH} = 2.0 V		-43.0	23.0	mA
Output Low Current	I _{OL1}	V _{OL} = 0.8 V	20.0	31.0		mA
Rise Time	t _{r5} ¹	V _{OL} = 0.8 V, V _{OH} = 2.4 V		0.7	1.5	nS
Fall Time	t _{f5} ¹	V _{OH} = 2.4 V, V _{OL} = 0.8 V		0.6	1.5	nS
Duty Cycle	d _{t5} ¹	V _T = 1.5 V	45	50	55	%
Skew (window)	t _{sk1} ¹	V _T = 1.4 V	-250	-	250	pS
Jitter	t _{j1s5} ¹	V _T = 1.5 V; R _s = 33; (10 to 24 MHz Clocks)	-	200	300	pS
	t _{j1s5} ¹	V _T = 1.5 V; R _s = 33; (40 to 80 MHz Clocks)	-	90	150	pS
	t _{jabs5} ¹	V _T = 1.5 V; R _s = 33; (10 to 24 MHz Clocks)	-700	-	700	
	t _{jabs5} ¹	V _T = 1.5 V; R _s = 33; (40 to 80 MHz Clocks)	-400	-	400	pS

¹Guaranteed by design, not 100% tested in production.

Electrical Characteristics - PCI

T_A = 0 - 70°C; V_{DD} = 3.3 V +/-10%; C_L = 30 pF (unless otherwise stated)

PARAMETER	SYMBOL	CONDITIONS	MIN	TYP	MAX	UNITS
Output High Voltage	V _{OH1}	I _{OH} = -14 mA	2.4	2.9		V
Output Low Voltage	V _{OL1}	I _{OL} = 11 mA		0.3	0.4	V
Output High Current	I _{OH1}	V _{OH} = 2.0 V		-43.0	23.0	mA
Output Low Current	I _{OL1}	V _{OL} = 0.8 V	20.0	31.0		mA
Rise Time	t _{r1} ¹	V _{OL} = 0.8 V, V _{OH} = 2.4 V		0.8	1.5	nS
Fall Time	t _{f1} ¹	V _{OH} = 2.4 V, V _{OL} = 0.8 V		0.9	1.5	nS
Duty Cycle	d _{t1} ¹	V _T = 1.4 V	45.0	51.0	55.0	%
Skew (window)	t _{sk1} ¹	V _T = 1.4 V	-250		250	pS
Jitter	t _{j1s1} ¹	V _T = 1.5 V; R _s = 33		88	150	pS
	t _{jabs1} ¹	V _T = 1.5 V; R _s = 33	-300		300	pS

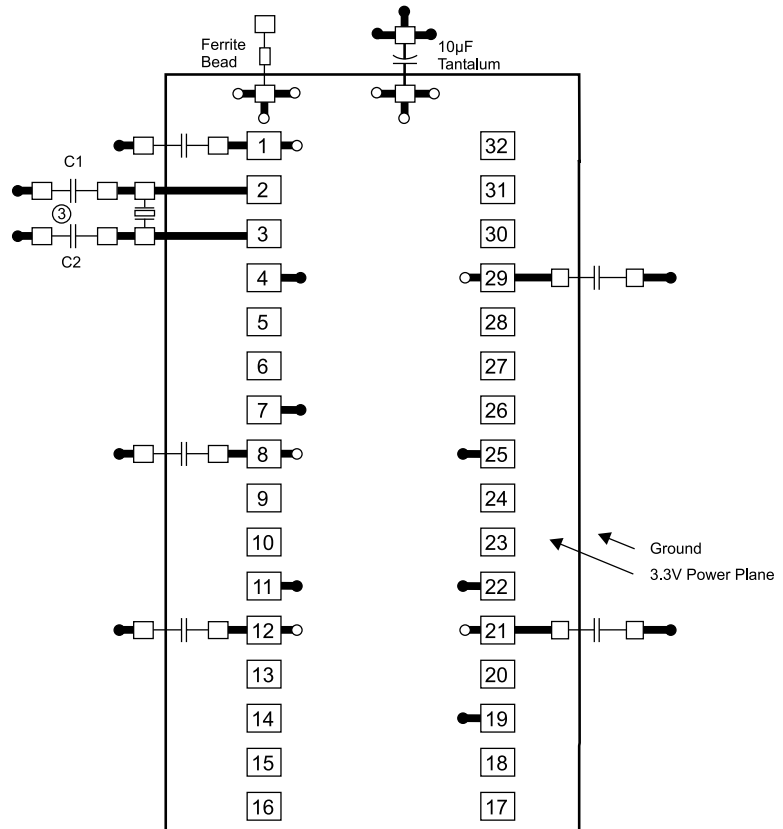
¹Guaranteed by design, not 100% tested in production.

ICS9169A-70



General Layout Precautions:

- 1) Use a ground plane on the top layer of the PCB in all areas not used by traces.
- 2) Make all power traces and vias as wide as possible to lower inductance.



Notes:

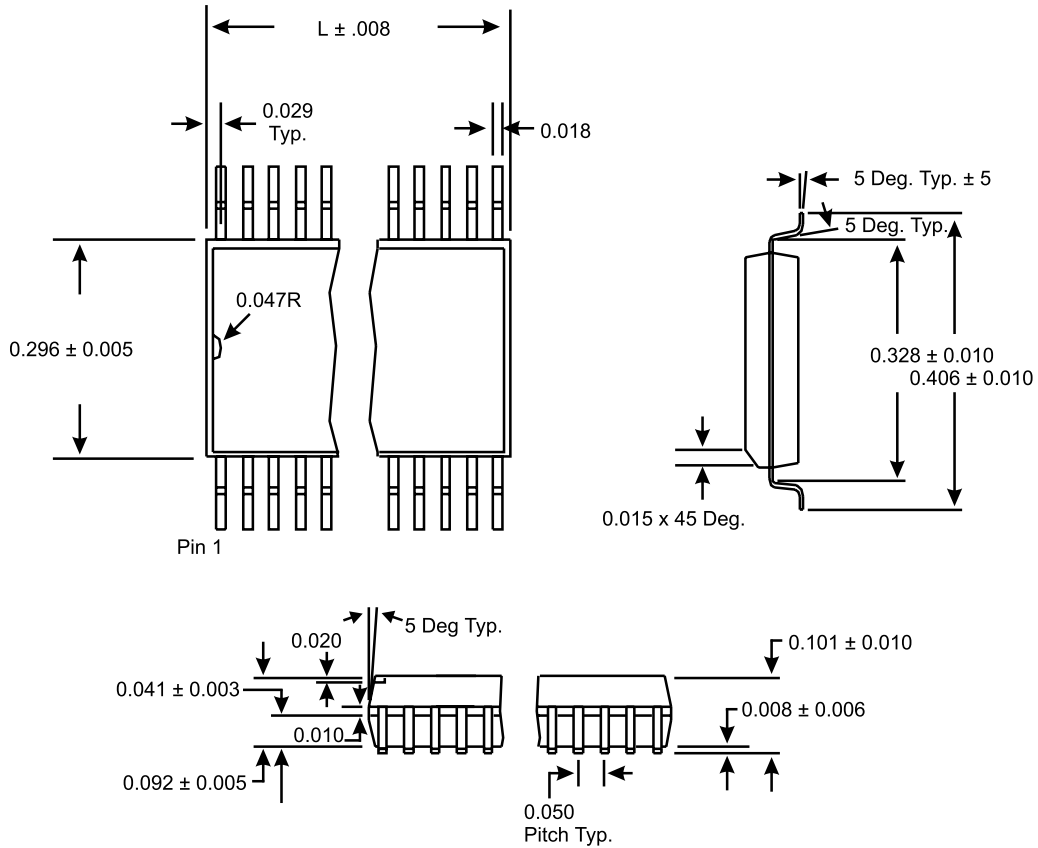
- 1 All clock outputs should have series terminating resistor. Not shown in all places to improve readability of diagram
- 2 Optional EMI capacitor should be used on all CPU, SDRAM, and PCI outputs.
- 3 Optional crystal load capacitors are recommended.

Capacitor Values:

C1, C2 : Crystal load values determined by user

All unmarked capacitors are 0.01µF ceramic

- = Ground Plane Connection
- = Power Plane Connection
- = Solder Pads



SOIC Package

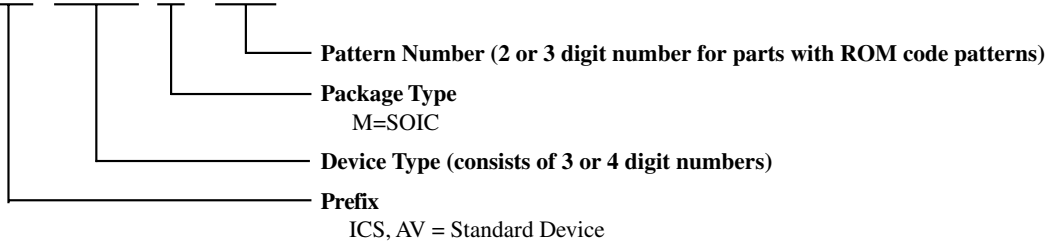
LEAD COUNT	32L
DIMENSIONL	.804

Ordering Information

ICS9169AM-70

Example:

ICS XXXX M - PPP



ICS reserves the right to make changes in the device data identified in this publication without further notice. ICS advises its customers to obtain the latest version of all device data to verify that any information being relied upon by the customer is current and accurate.