

## Frequency Generator & Integrated Buffers for PENTIUM/Pro™

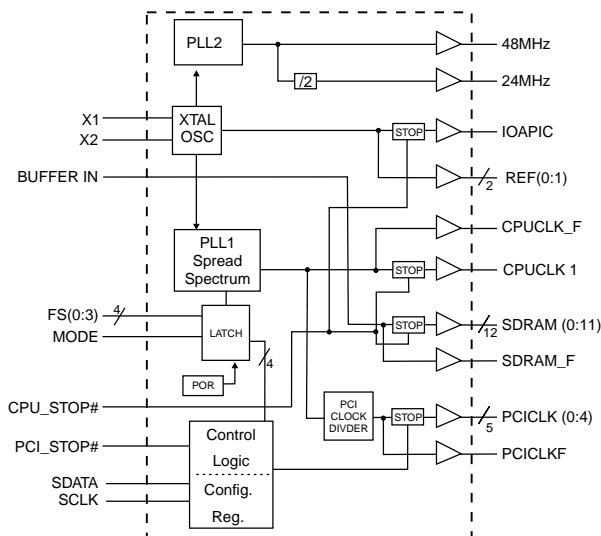
### General Description

The ICS9248-90 generates all clocks required for high speed RISC or CISC microprocessor systems such as Intel PentiumPro or Cyrix. Eight different reference frequency multiplying factors are externally selectable with smooth frequency transitions.

Features include two CPU, six PCI and thirteen SDRAM clocks. Two reference outputs are available equal to the crystal frequency. Plus the IOAPIC output powered by VDDL1. One 48 MHz for USB, and one 24 MHz clock for Super IO. Spread Spectrum built in at  $\pm 0.25\%$  modulation to reduce the EMI. Serial programming I<sup>2</sup>C interface allows changing functions, stop clock programming and Frequency selection. Additionally, the device meets the Pentium power-up stabilization, which requires that CPU and PCI clocks be stable within 2ms after power-up. It is not recommended to use I/O dual function pin for the slots (ISA, PIC, CPU, DIMM). The add on card might have a pull up or pull down.

High drive PCICLK and SDRAM outputs typically provide greater than 1 V/ns slew rate into 30pF loads. CPUCLK outputs typically provide better than 1V/ns slew rate into 20pF loads while maintaining 50  $\pm 5\%$  duty cycle. The REF and 24 and 48 MHz clock outputs typically provide better than 0.5V/ns slew rates into 20pF.

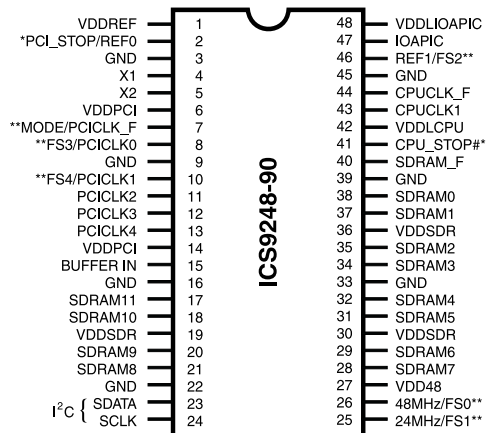
### Block Diagram



### Features

- 3.3V outputs: SDRAM, PCI, REF, 48/24MHz
- 2.5V outputs: CPU, IOAPIC
- 20 ohm CPU clock output impedance
- 20 ohm PCI clock output impedance
- Skew from CPU (earlier) to PCI clock - 1.5 to 4 ns, center 2.6 ns.
- No external load cap for C<sub>L</sub>=18pF crystals
- $\pm 175$  ps CPU clock skew
- 250ps (cycle to cycle) CPU jitter
- Smooth frequency switch, with selections from 66.8 to 133 MHz CPU.
- I<sup>2</sup>C interface for programming
- 3ms power up clock stable time
- Clock duty cycle 45-55%.
- 48 pin 300 mil SSOP package
- 3.3V operation, 5V tolerant inputs (with series R)
- <5ns propagation delay SDRAM from Buffer Input

### Pin Configuration



### 48-Pin SSOP

- \* Internal Pull-up Resistor of 240K to VDD
- \*\* Internal Pull-down resistor of 240K to GND

### Power Groups

- VDDREF = REF (0:1), X1, X2
- VDDPCI = PCICLK\_F, PCICLK(0:4)
- VDDSDR = SDRAM (0:12), supply for PLL core
- VDD48 = 24MHz, 48MHz
- VDDLIOAPIC = IOAPIC
- VDDL CPU = CPUCLK\_1, CPUCLK\_F

Pentium is a trademark of Intel Corporation  
I<sup>2</sup>C is a trademark of Philips Corporation

# ICS9248-90



## Pin Descriptions

| PIN NUMBER                                     | PIN NAME               | TYPE | DESCRIPTION  |
|--|------------------------|------|--|
| 1  | VDDREF                 | PWR  | Ref (0:2), XTAL power supply, nominal 3.3V   |
| 2  | REF0                   | OUT  | 14.318 Mhz reference clock. This REF output is the STRONGER buffer for ISA BUS loads             |
|  | PCI_STOP# <sup>1</sup> | IN   | Halts PCICLK(0:4) clocks at logic 0 level, when input low (In mobile mode, MODE=0)               |
| 3,9,16,22,33,39,45                             | GND                    | PWR  | Ground   |
| 4  | X1                     | IN   | Crystal input, has internal load cap (36pF) and feedback resistor from X2                        |
| 5  | X2                     | OUT  | Crystal output, nominally 14.318MHz. Has internal load cap (36pF)                                |
| 6,14   | VDDPCI                 | PWR  | Supply for PCICLK_F and PCICLK (0:4), nominal 3.3V   |
| 7  | PCICLK_F               | OUT  | Free running PCI clock not affected by PCI_STOP# for power management.                           |
|  | MODE <sup>2</sup>      | IN   | Pin 17, pin 18 function select pin, 1=Desktop Mode, 0=Mobile Mode. Latched Input.                |
| 8  | FS3 <sup>2</sup>       | IN   | Frequency select pin. Latched Input. Internal Pull-down to GND                                   |
|  | PCICLK0                | OUT  | PCI clock outputs. Synchronous to CPU clocks with 1-48ns skew (CPU early)                        |
| 10   | PCICLK1                | OUT  | PCI clock output. Synchronous to CPU clocks with 1-48ns skew (CPU early)                         |
|  | FS4 <sup>2</sup>       | IN   | Frequency select pin. Latched Input.   |
| 11, 12, 13                                     | PCICLK(2:4)            | OUT  | PCI clock outputs. Synchronous to CPU clocks with 1-48ns skew (CPU early)                        |
| 15   | BUFFER IN              | IN   | Input to Fanout Buffers for SDRAM outputs.   |
| 17, 18, 20, 21, 28, 29, 31, 32, 34, 35, 37, 38 | SDRAM (11:0)           | OUT  | SDRAM clock outputs, Fanout Buffer outputs from BUFFER IN pin (controlled by chipset).           |
| 19,30,36                                       | VDDSDR                 | PWR  | Supply for SDRAM (0:12) and CPU PLL Core, nominal 3.3V.  |
| 23   | SDATA                  | IN   | Data input for I <sup>2</sup> C serial input, 5V tolerant input                                  |
| 24   | SCLK                   | IN   | Clock input of I <sup>2</sup> C input, 5V tolerant input   |
| 25   | 24MHz                  | OUT  | 24MHz output clock   |
|  | FS <sup>2</sup>        | IN   | Frequency select pin. Latched Input.   |
| 26   | 48MHz                  | OUT  | 48MHz output clock   |
|  | FS0 <sup>2</sup>       | IN   | Frequency select pin. Latched Input  |
| 27   | VDD48                  | PWR  | Power for 24 & 48MHz output buffers and fixed PLL core.  |
| 40   | SDRAM_F                | OUT  | Free running SDRAM clock output. Not affected by CPU_STOP#                                       |
| 41   | CPU_STOP# <sup>1</sup> | IN   | This asynchronous input halts CPUCLK1, IOAPIC & SDRAM (0:11) at logic "0" level when driven low. |
| 42   | VDDLCPU                | PWR  | Supply for CPU clocks, either 2.5V or 3.3V nominal   |
| 43   | CPUCLK1                | OUT  | CPU clock outputs, powered by VDDL2. Low if CPU_STOP#=Low  |
| 44   | CPUCLK_F               | OUT  | Free running CPU clock. Not affected by the CPU_STOP#  |
| 46   | REF1                   | OUT  | 14.318 MHz reference clock.  |
|  | FS <sup>2</sup>        | IN   | Frequency select pin. Latched Input  |
| 47   | IOAPIC                 | OUT  | IOAPIC clock output. 14.318 MHz Powered by VDDL1.  |
| 48   | VDDLIOAPIC             | PWR  | Supply for IOAPIC, either 2.5 or 3.3V nominal  |

### Notes:

- 1: Internal Pull-up Resistor of 240K to 3.3V on indicated inputs
- 2: Bidirectional input/output pins, input logic levels are latched at internal power-on-reset. Use 10Kohm resistor to program logic Hi to VDD or GND for logic low.



## Mode Pin - Power Management Input Control

| MODE, Pin 7<br>(Latched Input) | Pin 2                |
|--------------------------------|----------------------|
| 0                              | PCI_STOP#<br>(Input) |
| 1                              | REF0<br>(Output)     |

## Functionality

V<sub>DD</sub> = 3.3V±5%, V<sub>DDL</sub> = 2.5V±5% TA=0 to 70°C  
 Crystal (X1, X2) = 14.31818MHz

| FS4 | FS3 | FS2 | FS1 | FS0 | CPU MHz | PCI MHz |
|-----|-----|-----|-----|-----|---------|---------|
| 0   | 0   | 0   | 0   | 0   | 66.82   | 33.40   |
| 0   | 0   | 0   | 0   | 1   | 68.01   | 34.00   |
| 0   | 0   | 0   | 1   | 0   | 71.99   | 35.99   |
| 0   | 0   | 0   | 1   | 1   | 75.00   | 37.49   |
| 0   | 0   | 1   | 0   | 0   | 78.00   | 38.99   |
| 0   | 0   | 1   | 0   | 1   | 80.00   | 39.99   |
| 0   | 0   | 1   | 1   | 0   | 82.00   | 41.00   |
| 0   | 0   | 1   | 1   | 1   | 83.00   | 41.50   |
| 0   | 1   | 0   | 0   | 0   | 84.00   | 41.99   |
| 0   | 1   | 0   | 0   | 1   | 85.01   | 42.50   |
| 0   | 1   | 0   | 1   | 0   | 85.91   | 42.95   |
| 0   | 1   | 0   | 1   | 1   | 86.99   | 43.49   |
| 0   | 1   | 1   | 0   | 0   | 88.00   | 43.99   |
| 0   | 1   | 1   | 0   | 1   | 89.01   | 44.50   |
| 0   | 1   | 1   | 1   | 0   | 90.00   | 44.99   |
| 0   | 1   | 1   | 1   | 1   | 90.99   | 45.49   |
| 1   | 0   | 0   | 0   | 0   | 91.99   | 30.66   |
| 1   | 0   | 0   | 0   | 1   | 93.07   | 31.02   |
| 1   | 0   | 0   | 1   | 0   | 94.00   | 31.33   |
| 1   | 0   | 0   | 1   | 1   | 95.00   | 31.66   |
| 1   | 0   | 1   | 0   | 0   | 96.00   | 31.99   |
| 1   | 0   | 1   | 0   | 1   | 97.01   | 32.33   |
| 1   | 0   | 1   | 1   | 0   | 98.01   | 32.67   |
| 1   | 0   | 1   | 1   | 1   | 98.99   | 32.99   |
| 1   | 1   | 0   | 0   | 0   | 100.23  | 33.41   |
| 1   | 1   | 0   | 0   | 1   | 102.02  | 34.01   |
| 1   | 1   | 0   | 1   | 0   | 104.00  | 34.66   |
| 1   | 1   | 0   | 1   | 1   | 106.00  | 35.33   |
| 1   | 1   | 1   | 0   | 0   | 108.01  | 36.00   |
| 1   | 1   | 1   | 0   | 1   | 109.99  | 36.66   |
| 1   | 1   | 1   | 1   | 0   | 124.00  | 30.99   |
| 1   | 1   | 1   | 1   | 1   | 132.99  | 33.25   |

# ICS9248-90



## Serial Configuration Command Bitmap

Byte0: Functionality and Frequency Select Register (default = 0)

| Bit             | Description  |   |   |   |        |               | PWD           |
|-----------------|--|---|---|---|--------|---------------|---------------|
| Bit<br>(2, 7:4) | Bit (2, 7:4)   |   |   |   |        | CPUCLK<br>MHz | PCICLK<br>MHz |
|                 | 0  | 0 | 0 | 0 | 0      | 66.82         | 33.40         |
|                 | 0  | 0 | 0 | 0 | 1      | 68.01         | 34.00         |
|                 | 0  | 0 | 0 | 1 | 0      | 71.99         | 35.99         |
|                 | 0  | 0 | 0 | 1 | 1      | 75.00         | 37.49         |
|                 | 0  | 0 | 1 | 0 | 0      | 78.00         | 38.99         |
|                 | 0  | 0 | 1 | 0 | 1      | 80.00         | 39.99         |
|                 | 0  | 0 | 1 | 1 | 0      | 82.00         | 41.00         |
|                 | 0  | 0 | 1 | 1 | 1      | 83.00         | 41.50         |
|                 | 0  | 1 | 0 | 0 | 0      | 84.00         | 41.99         |
|                 | 0  | 1 | 0 | 0 | 1      | 85.01         | 42.50         |
|                 | 0  | 1 | 0 | 1 | 0      | 85.91         | 42.95         |
|                 | 0  | 1 | 0 | 1 | 1      | 86.99         | 43.49         |
|                 | 0  | 1 | 1 | 0 | 0      | 88.00         | 43.99         |
|                 | 0  | 1 | 1 | 0 | 1      | 89.01         | 44.50         |
|                 | 0  | 1 | 1 | 1 | 0      | 90.00         | 44.99         |
|                 | 0  | 1 | 1 | 1 | 1      | 90.99         | 45.49         |
|                 | 1  | 0 | 0 | 0 | 0      | 91.99         | 30.66         |
|                 | 1  | 0 | 0 | 0 | 1      | 93.07         | 31.02         |
|                 | 1  | 0 | 0 | 1 | 0      | 94.00         | 31.33         |
|                 | 1  | 0 | 0 | 1 | 1      | 95.00         | 31.66         |
|                 | 1  | 0 | 1 | 0 | 0      | 96.00         | 31.99         |
|                 | 1  | 0 | 1 | 0 | 1      | 97.01         | 32.33         |
|                 | 1  | 0 | 1 | 1 | 0      | 98.01         | 32.67         |
|                 | 1  | 0 | 1 | 1 | 1      | 98.99         | 32.99         |
|                 | 1  | 1 | 0 | 0 | 0      | 100.23        | 33.41         |
|                 | 1  | 1 | 0 | 0 | 1      | 102.02        | 34.01         |
|                 | 1  | 1 | 0 | 1 | 0      | 104.00        | 34.66         |
|                 | 1  | 1 | 0 | 1 | 1      | 106.00        | 35.33         |
|                 | 1  | 1 | 1 | 0 | 0      | 108.01        | 36.00         |
| 1               | 1  | 1 | 0 | 1 | 109.99 | 36.66         |               |
| 1               | 1  | 1 | 1 | 0 | 124.00 | 30.99         |               |
| 1               | 1  | 1 | 1 | 1 | 132.99 | 33.25         |               |
| Bit 3           | 0-Frequency is selected by hardware select, latched inputs<br>1-Frequency is selected by Bit 7:4,2 |   |   |   |        |               | 0             |
| Bit 1           | 0- Normal<br>1- Spread spectrum enable   |   |   |   |        |               | 1             |
| Bit 0           | 0- Running<br>1- Tristate all outputs  |   |   |   |        |               | 0             |

XXX  
Note1

Note1: Default at power-up will be for latched logic inputs to define frequency, as displayed by Bit 3.



### Byte 1: CPU, Active/Inactive Register (1 = enable, 0 = disable)

| Bit   | Pin # | PWD | Description          |
|-------|-------|-----|----------------------|
| Bit 7 | -     | X   | Latched FS2#         |
| Bit 6 | -     | X   | Latched FS4#         |
| Bit 5 | -     | 1   | (Reserved)           |
| Bit 4 | -     | 1   | (Reserved)           |
| Bit 3 | 40    | 1   | SDRAM12 (Act/Inact)  |
| Bit 2 | -     | 1   | (Reserved)           |
| Bit 1 | 43    | 1   | CPUCLK1 (Act/Inact)  |
| Bit 0 | 44    | 1   | CPUCLK_F (Act/Inact) |

### Byte 2: PCI Active/Inactive Register (1 = enable, 0 = disable)

| Bit   | Pin # | PWD | Description          |
|-------|-------|-----|----------------------|
| Bit 7 | -     | 1   | (Reserved)           |
| Bit 6 | 7     | 1   | PCICLK_F (Act/Inact) |
| Bit 5 | -     | 1   | (Reserved)           |
| Bit 4 | 14    | 1   | PCICLK4 (Act/Inact)  |
| Bit 3 | 12    | 1   | PCICLK3 (Act/Inact)  |
| Bit 2 | 11    | 1   | PCICLK2 (Act/Inact)  |
| Bit 1 | 10    | 1   | PCICLK1 (Act/Inact)  |
| Bit 0 | 8     | 1   | PCICLK0 (Act/Inact)  |

### Byte 3: SDRAM Active/Inactive Register (1 = enable, 0 = disable)

| Bit   | Pin #       | PWD | Description                    |
|-------|-------------|-----|--------------------------------|
| Bit 7 | -           | X   | MODE#                          |
| Bit 6 | -           | X   | Latched FS0#                   |
| Bit 5 | 26          | 1   | 48MHz (Act/Inact)              |
| Bit 4 | 25          | 1   | 24 MHz (Act/Inact)             |
| Bit 3 | -           | 1   | (Reserved)                     |
| Bit 2 | 21,20,18,17 | 1   | SDRAM (8:11) (Active/Inactive) |
| Bit 1 | 32,31,29,28 | 1   | SDRAM (4:7) (Active/Inactive)  |
| Bit 0 | 38,37,35,34 | 1   | SDRAM (0:3) (Active/Inactive)  |

#### Notes:

1. Inactive means outputs are held LOW and are disabled from switching.
2. Latched Frequency Selects (FS#) will be inverted logic load of the input frequency select pin conditions.

# ICS9248-90



## Byte 4: Reserved Active/Inactive Register (1 = enable, 0 = disable)

| Bit   | Pin # | PWD | Description  |
|-------|-------|-----|--------------|
| Bit 7 | -     | 1   | (Reserved)   |
| Bit 6 | -     | 1   | (Reserved)   |
| Bit 5 | -     | 1   | (Reserved)   |
| Bit 4 | -     | 1   | (Reserved)   |
| Bit 3 | -     | X   | Latched FS1# |
| Bit 2 | -     | 1   | (Reserved)   |
| Bit 1 | -     | X   | Latched FS3# |
| Bit 0 | -     | 1   | (Reserved)   |

## Byte 5: Peripheral Active/Inactive Register (1 = enable, 0 = disable)

| Bit   | Pin # | PWD | Description         |
|-------|-------|-----|---------------------|
| Bit 7 | -     | 1   | (Reserved)          |
| Bit 6 | -     | 1   | (Reserved)          |
| Bit 5 | -     | 1   | (Reserved)          |
| Bit 4 | 47    | 1   | IOAPIC0 (Act/Inact) |
| Bit 3 | -     | 1   | (Reserved)          |
| Bit 2 | -     | 1   | (Reserved)          |
| Bit 1 | 46    | 1   | REF1 (Act/Inact)    |
| Bit 0 | 2     | 1   | REF0 (Act/Inact)    |

### Notes:

1. Inactive means outputs are held LOW and are disabled from switching.
2. Latched Frequency Selects (FS#) will be inverted logic load of the input frequency select pin conditions.



### Absolute Maximum Ratings

|                               |                                      |
|-------------------------------|--------------------------------------|
| Supply Voltage                | 7.0 V                                |
| Logic Inputs                  | GND -0.5 V to V <sub>DD</sub> +0.5 V |
| Ambient Operating Temperature | 0°C to +70°C                         |
| Case Temperature              | 115°C                                |
| Storage Temperature           | -65°C to +150°C                      |

Stresses above those listed under *Absolute Maximum Ratings* may cause permanent damage to the device. These ratings are stress specifications only and functional operation of the device at these or any other conditions above those listed in the operational sections of the specifications is not implied. Exposure to absolute maximum rating conditions for extended periods may affect product reliability.

### Electrical Characteristics - Input/Supply/Common Output Parameters

T<sub>A</sub> = 0 - 70° C; Supply Voltage V<sub>DD</sub>, V<sub>DDL</sub> = 3.3 V +/-5% (unless otherwise stated)

| PARAMETER                      | SYMBOL                  | CONDITIONS  | MIN                  | TYP    | MAX                  | UNITS |
|--------------------------------|-------------------------|---|----------------------|--------|----------------------|-------|
| Input High Voltage             | V <sub>IH</sub>         |   | 2                    |        | V <sub>DD</sub> +0.3 | V     |
| Input Low Voltage              | V <sub>IL</sub>         |   | V <sub>SS</sub> -0.3 |        | 0.8                  | V     |
| Input High Current             | I <sub>IH</sub>         | V <sub>IN</sub> = V <sub>DD</sub>                       |                      | 0.1    | 5                    | μA    |
| Input Low Current              | I <sub>IL1</sub>        | V <sub>IN</sub> = 0 V; Inputs with no pull-up resistors | -5                   | 2.0    |                      | μA    |
| Input Low Current              | I <sub>IL2</sub>        | V <sub>IN</sub> = 0 V; Inputs with pull-up resistors    | -200                 | -100   |                      | μA    |
| Operating Supply Current       | I <sub>DD3.3OP66</sub>  | C <sub>L</sub> = 0 pF; Select @ 66MHz                   |                      | 87     | 170                  | mA    |
|                                | I <sub>DD3.3OP100</sub> | C <sub>L</sub> = 0 pF; Select @ 100MHz                  |                      | 120    |                      |       |
|                                | I <sub>DD3.3OP124</sub> | C <sub>L</sub> = 0 pF; Select @ 124MHz                  |                      | 144    | 180                  | mA    |
|                                | I <sub>DD3.3OP133</sub> | C <sub>L</sub> = 0 pF; Select @ 133MHz                  |                      | 149    |                      |       |
| Input frequency                | F <sub>i</sub>          | V <sub>DD</sub> = 3.3 V                                 | 12                   | 14.318 | 16                   | MHz   |
| Input Capacitance <sup>1</sup> | C <sub>IN</sub>         | Logic Inputs  |                      |        | 5                    | pF    |
|                                | C <sub>INX</sub>        | X1 & X2 pins  | 27                   | 36     | 45                   | pF    |
| Clk Stabilization <sup>1</sup> | T <sub>STAB</sub>       | From V <sub>DD</sub> = 3.3 V to 1% target Freq.         |                      |        | 3                    | ms    |

<sup>1</sup>Guaranteed by design, not 100% tested in production.

### Electrical Characteristics - Input/Supply/Common Output Parameters

T<sub>A</sub> = 0 - 70° C; Supply Voltage V<sub>DD</sub> = 3.3 V +/-5%, V<sub>DDL</sub> = 2.5 V +/-5% (unless otherwise stated)

| PARAMETER                | SYMBOL                  | CONDITIONS                                       | MIN | TYP | MAX | UNITS |
|--------------------------|-------------------------|--|-----|-----|-----|-------|
| Operating Supply Current | I <sub>DD2.5OP66</sub>  | C <sub>L</sub> = 0 pF; Select @ 66.8 MHz         |     | 7   | 30  | mA    |
|                          | I <sub>DD2.5OP100</sub> | C <sub>L</sub> = 0 pF; Select @ 100 MHz          |     | 10  | 30  |       |
|                          | I <sub>DD2.5OP124</sub> | C <sub>L</sub> = 0 pF; Select @ 124 MHz          |     | 11  | 30  |       |
|                          | I <sub>DD2.5OP133</sub> | C <sub>L</sub> = 0 pF; Select @ 133 MHz          |     | 14  | 30  |       |
| Skew <sup>1</sup>        | t <sub>CPU-PCI</sub>    | V <sub>T</sub> = 1.5 V; V <sub>IL</sub> = 1.25 V | 1.5 | 2.7 | 4   | ns    |

<sup>1</sup>Guaranteed by design, not 100% tested in production.



## Electrical Characteristics - CPUCLK

$T_A = 0 - 70^\circ\text{C}$ ;  $V_{DD} = 3.3\text{ V} \pm 5\%$ ,  $V_{DDL} = 2.5\text{ V} \pm 5\%$ ;  $C_L = 20\text{ pF}$  (unless otherwise stated)

| PARAMETER              | SYMBOL              | CONDITIONS  | MIN  | TYP  | MAX  | UNITS |
|------------------------|---------------------|---|------|------|------|-------|
| Output High Voltage    | $V_{OH2B}$          | $I_{OH} = -12.0\text{ mA}$                          | 2    | 2.3  |      | V     |
| Output Low Voltage     | $V_{OL2B}$          | $I_{OL} = 12\text{ mA}$                             |      | 0.31 | 0.4  | V     |
| Output High Current    | $I_{OH2B}$          | $V_{OH} = 1.7\text{ V}$                             |      | -36  | -19  | mA    |
| Output Low Current     | $I_{OL2B}$          | $V_{OL} = 0.7\text{ V}$                             | 19   | 26   |      | mA    |
| Rise Time              | $t_{r2B}^1$         | $V_{OL} = 0.4\text{ V}$ , $V_{OH} = 2.0\text{ V}$   |      | 1.1  | 1.6  | ns    |
| Fall Time              | $t_{f2B}^1$         | $V_{OH} = 2.0\text{ V}$ , $V_{OL} = 0.4\text{ V}$   |      | 1.1  | 1.6  | ns    |
| Duty Cycle             | $d_{t2B}^1$         | $V_T = 1.25\text{ V}$ , Freq. $< 124\text{ MHz}$    | 45   | 49   | 55   | %     |
|                        |                     | $V_T = 1.25\text{ V}$ , Freq. $\geq 124\text{ MHz}$ | 40   | 47   | 52   | %     |
| Skew                   | $t_{sk2B}^1$        | $V_T = 1.25\text{ V}$                               |      | 115  | 175  | ps    |
| Jitter, One Sigma      | $t_{j1\sigma 2B}^1$ | $V_T = 1.25\text{ V}$                               |      | 36   | 150  | ps    |
| Jitter, Absolute       | $t_{jabs 2B}^1$     | $V_T = 1.25\text{ V}$                               | -250 | 130  | +250 | ps    |
| Jitter, Cycle-to-cycle | $t_{jcyc-cyc 2B}^1$ | $V_T = 1.25\text{ V}$                               |      | 140  | 250  | ps    |

<sup>1</sup>Guaranteed by design, not 100% tested in production.

## Electrical Characteristics - SDRAM

$T_A = 0 - 70^\circ\text{C}$ ;  $V_{DD} = 3.3\text{ V} \pm 5\%$ ,  $V_{DDL} = 2.5\text{ V} \pm 5\%$ ;  $C_L = 30\text{ pF}$  (unless otherwise stated)

| PARAMETER           | SYMBOL     | CONDITIONS  | MIN | TYP  | MAX | UNITS |
|---------------------|------------|---|-----|------|-----|-------|
| Output High Voltage | $V_{OH3}$  | $I_{OH} = -25\text{ mA}$                          | 2.4 | 2.85 |     | V     |
| Output Low Voltage  | $V_{OL3}$  | $I_{OL} = 20\text{ mA}$                           |     | 0.35 | 0.4 | V     |
| Output High Current | $I_{OH3}$  | $V_{OH} = 2.0\text{ V}$                           |     | -60  | -40 | mA    |
| Output Low Current  | $I_{OL3}$  | $V_{OL} = 0.8\text{ V}$                           | 41  | 44   |     | mA    |
| Rise Time           | $T_{r3}^1$ | $V_{OL} = 0.4\text{ V}$ , $V_{OH} = 2.4\text{ V}$ |     | 1.5  | 2.4 | ns    |
| Fall Time           | $T_{f3}^1$ | $V_{OH} = 2.4\text{ V}$ , $V_{OL} = 0.4\text{ V}$ |     | 1.6  | 2.2 | ns    |
| Duty Cycle          | $D_{t3}^1$ | $V_T = 1.5\text{ V}$                              | 45  | 51   | 55  | %     |
| Skew <sup>1</sup>   | $T_{sk1}$  | $V_T = 1.5\text{ V}$                              |     | 220  | 500 | ps    |
| Propagation Delay   | $T_{prop}$ | $V_T = 1.5\text{ V}$                              |     | 2.8  | 4   | ns    |

<sup>1</sup>Guaranteed by design, not 100% tested in production.





### Electrical Characteristics - PCICLK

T<sub>A</sub> = 0 - 70° C; V<sub>DD</sub> = 3.3 V +/-5%, V<sub>DDL</sub> = 2.5 V +/-5%; C<sub>L</sub> = 30 pF (unless otherwise stated)

| PARAMETER                           | SYMBOL                 | CONDITIONS                                       | MIN  | TYP  | MAX | UNITS |
|-------------------------------------|------------------------|--|------|------|-----|-------|
| Output High Voltage                 | V <sub>OH1</sub>       | I <sub>OH</sub> = -11 mA                         | 2.4  | 3.1  |     | V     |
| Output Low Voltage                  | V <sub>OL1</sub>       | I <sub>OL</sub> = 9.4 mA                         |      | 0.17 | 0.4 | V     |
| Output High Current                 | I <sub>OH1</sub>       | V <sub>OH</sub> = 2.0 V                          |      | -60  | -22 | mA    |
| Output Low Current                  | I <sub>OL1</sub>       | V <sub>OL</sub> = 0.8 V                          | 25   | 44   |     | mA    |
| Rise Time <sup>1</sup>              | t <sub>r1</sub>        | V <sub>OL</sub> = 0.4 V, V <sub>OH</sub> = 2.4 V |      | 1.87 | 2.6 | ns    |
| Fall Time <sup>1</sup>              | t <sub>f1</sub>        | V <sub>OH</sub> = 2.4 V, V <sub>OL</sub> = 0.4 V |      | 1.5  | 2.3 | ns    |
| Duty Cycle <sup>1</sup>             | d <sub>t1</sub>        | V <sub>T</sub> = 1.5 V                           | 45   | 49   | 55  | %     |
| Skew <sup>1</sup>                   | t <sub>sk1</sub>       | V <sub>T</sub> = 1.5 V                           |      | 124  | 500 | ps    |
| Jitter, One Sigma <sup>1</sup>      | t <sub>j1σ1</sub>      | V <sub>T</sub> = 1.5 V                           |      | 70   | 150 | ps    |
| Jitter, Absolute <sup>1</sup>       | t <sub>jabs1</sub>     | V <sub>T</sub> = 1.5 V                           | -500 | 160  | 500 | ps    |
| Jitter, Cycle-to-cycle <sup>1</sup> | t <sub>jcyc-cyc1</sub> | V <sub>T</sub> = 1.5 V                           |      | 130  | 400 | ps    |

<sup>1</sup>Guaranteed by design, not 100% tested in production.

### Electrical Characteristics - IOAPIC

T<sub>A</sub> = 0 - 70° C; V<sub>DD</sub> = 3.3 V +/-5%, V<sub>DDL</sub> = 2.5 V +/-5%; C<sub>L</sub> = 20 pF (unless otherwise stated)

| PARAMETER                           | SYMBOL                  | CONDITIONS                                       | MIN  | TYP  | MAX | UNITS |
|-------------------------------------|-------------------------|--|------|------|-----|-------|
| Output High Voltage                 | V <sub>OH4B</sub>       | I <sub>OH</sub> = -8 mA                          | 2    | 2.3  |     | V     |
| Output Low Voltage                  | V <sub>OL4B</sub>       | I <sub>OL</sub> = 12 mA                          |      | 0.31 | 0.4 | V     |
| Output High Current                 | I <sub>OH4B</sub>       | V <sub>OH</sub> = 1.7 V                          |      | -25  | -15 | mA    |
| Output Low Current                  | I <sub>OL4B</sub>       | V <sub>OL</sub> = 0.7 V                          | 19   | 27   |     | mA    |
| Rise Time <sup>1</sup>              | T <sub>r4B</sub>        | V <sub>OL</sub> = 0.4 V, V <sub>OH</sub> = 2.0 V |      | 1.4  | 2.2 | ns    |
| Fall Time <sup>1</sup>              | T <sub>f4B</sub>        | V <sub>OH</sub> = 2.0 V, V <sub>OL</sub> = 0.4 V |      | 1.3  | 2   | ns    |
| Duty Cycle <sup>1</sup>             | D <sub>t4B</sub>        | V <sub>T</sub> = 1.25 V                          | 45   | 52   | 55  | %     |
| Jitter, One Sigma <sup>1</sup>      | T <sub>j1σ4B</sub>      | V <sub>T</sub> = 1.25 V                          |      | 175  | 350 | ps    |
| Jitter, Absolute <sup>1</sup>       | T <sub>jabs4B</sub>     | V <sub>T</sub> = 1.25 V                          | -800 | 395  | 800 | ps    |
| Jitter, Cycle-to-cycle <sup>1</sup> | t <sub>jcyc-cyc4B</sub> | V <sub>T</sub> = 1.25 V                          |      | 475  | 800 | ps    |

<sup>1</sup>Guaranteed by design, not 100% tested in production.



## Electrical Characteristics - REF1:0

$T_A = 0 - 70^\circ\text{C}$ ;  $V_{DD} = 3.3\text{ V} \pm 5\%$ ,  $V_{DDL} = 2.5\text{ V} \pm 5\%$ ;  $C_L = 20\text{ pF}$  (unless otherwise stated)

| PARAMETER                           | SYMBOL          | CONDITIONS  | MIN  | TYP  | MAX  | UNITS |
|-------------------------------------|-----------------|---|------|------|------|-------|
| Output High Voltage                 | $V_{OH5}$       | $I_{OH} = -12\text{ mA}$                          | 2.4  | 2.9  |      | V     |
| Output Low Voltage                  | $V_{OL5}$       | $I_{OL} = 10\text{ mA}$                           |      | 0.33 | 0.4  | V     |
| Output High Current                 | $I_{OH5}$       | $V_{OH} = 2.0\text{ V}$                           |      | -30  | -22  | mA    |
| Output Low Current                  | $I_{OL5}$       | $V_{OL} = 0.8\text{ V}$                           | 16   | 23   |      | mA    |
| Rise Time <sup>1</sup>              | $t_{r5}$        | $V_{OL} = 0.4\text{ V}$ , $V_{OH} = 2.4\text{ V}$ |      | 2.1  | 4    | ns    |
| Fall Time <sup>1</sup>              | $t_{f5}$        | $V_{OH} = 2.4\text{ V}$ , $V_{OL} = 0.4\text{ V}$ |      | 2.1  | 4    | ns    |
| Duty Cycle <sup>1</sup>             | $d_{t5}$        | $V_T = 1.5\text{ V}$                              | 45   | 52   | 55   | %     |
| Jitter, One Sigma <sup>1</sup>      | $t_{j1\sigma5}$ | $V_T = 1.5\text{ V}$                              |      | 200  | 400  | ps    |
| Jitter, Absolute <sup>1</sup>       | $t_{jabs5}$     | $V_T = 1.5\text{ V}$                              | -800 | 520  | 800  | ps    |
| Jitter, Cycle-to-cycle <sup>1</sup> | $t_{jcyc-cyc5}$ | $V_T = 1.5\text{ V}$                              |      | 790  | 1300 | ps    |

<sup>1</sup>Guaranteed by design, not 100% tested in production.

## Electrical Characteristics - 24MHz, 48MHz

$T_A = 0 - 70^\circ\text{C}$ ;  $V_{DD} = 3.3\text{ V} \pm 5\%$ ,  $V_{DDL} = 2.5\text{ V} \pm 5\%$ ;  $C_L = 20\text{ pF}$  (unless otherwise stated)

| PARAMETER                           | SYMBOL          | CONDITIONS  | MIN  | TYP  | MAX  | UNITS |
|-------------------------------------|-----------------|---|------|------|------|-------|
| Output High Voltage                 | $V_{OH5}$       | $I_{OH} = -12\text{ mA}$                          | 2.4  | 2.9  |      | V     |
| Output Low Voltage                  | $V_{OL5}$       | $I_{OL} = 12\text{ mA}$                           |      | 0.3  | 0.4  | V     |
| Output High Current                 | $I_{OH5}$       | $V_{OH} = 2.0\text{ V}$                           |      | -34  | -22  | mA    |
| Output Low Current                  | $I_{OL5}$       | $V_{OL} = 0.8\text{ V}$                           | 16   | 30   |      | mA    |
| Rise Time <sup>1</sup>              | $t_{r5}$        | $V_{OL} = 0.4\text{ V}$ , $V_{OH} = 2.4\text{ V}$ |      | 1.6  | 4    | ns    |
| Fall Time <sup>1</sup>              | $t_{f5}$        | $V_{OH} = 2.4\text{ V}$ , $V_{OL} = 0.4\text{ V}$ |      | 1.7  | 4    | ns    |
| Duty Cycle <sup>1</sup>             | $d_{t5}$        | $V_T = 1.5\text{ V}$                              | 45   | 51.6 | 55   | %     |
| Jitter, One Sigma <sup>1</sup>      | $t_{j1\sigma5}$ | $V_T = 1.5\text{ V}$                              |      | 100  | 400  | ps    |
| Jitter, Absolute <sup>1</sup>       | $t_{jabs5}$     | $V_T = 1.5\text{ V}$                              | -800 | 250  | 800  | ps    |
| Jitter, Cycle-to-cycle <sup>1</sup> | $t_{jcyc-cyc5}$ | $V_T = 1.5\text{ V}$                              |      | 345  | 1000 | ps    |

<sup>1</sup>Guaranteed by design, not 100% tested in production.



## General I<sup>2</sup>C serial interface information

The information in this section assumes familiarity with I<sup>2</sup>C programming. For more information, contact ICS for an I<sup>2</sup>C programming application note.

### How to Write:

- Controller (host) sends a start bit.
- Controller (host) sends the write address D2<sub>(H)</sub>
- ICS clock will *acknowledge*
- Controller (host) sends a dummy command code
- ICS clock will *acknowledge*
- Controller (host) sends a dummy byte count
- ICS clock will *acknowledge*
- Controller (host) starts sending first byte (Byte 0) through byte 5
- ICS clock will *acknowledge* each byte *one at a time*.
- Controller (host) sends a Stop bit

| How to Write:             |                      |
|---------------------------|----------------------|
| Controller (Host)         | ICS (Slave/Receiver) |
| Start Bit                 |                      |
| Address D2 <sub>(H)</sub> |                      |
|                           | <b>ACK</b>           |
| Dummy Command Code        |                      |
|                           | <b>ACK</b>           |
| Dummy Byte Count          |                      |
|                           | <b>ACK</b>           |
| Byte 0                    |                      |
|                           | <b>ACK</b>           |
| Byte 1                    |                      |
|                           | <b>ACK</b>           |
| Byte 2                    |                      |
|                           | <b>ACK</b>           |
| Byte 3                    |                      |
|                           | <b>ACK</b>           |
| Byte 4                    |                      |
|                           | <b>ACK</b>           |
| Byte 5                    |                      |
|                           | <b>ACK</b>           |
| Stop Bit                  |                      |

### How to Read:

- Controller (host) will send start bit.
- Controller (host) sends the read address D3<sub>(H)</sub>
- ICS clock will *acknowledge*
- ICS clock will send the *byte count*
- Controller (host) acknowledges
- ICS clock sends first byte (*Byte 0*) through *byte 5*
- Controller (host) will need to acknowledge each byte
- Controller (host) will send a stop bit

| How to Read:              |                      |
|---------------------------|----------------------|
| Controller (Host)         | ICS (Slave/Receiver) |
| Start Bit                 |                      |
| Address D3 <sub>(H)</sub> |                      |
|                           | <b>ACK</b>           |
|                           | <b>Byte Count</b>    |
| ACK                       |                      |
|                           | <b>Byte 0</b>        |
| ACK                       |                      |
|                           | <b>Byte 1</b>        |
| ACK                       |                      |
|                           | <b>Byte 2</b>        |
| ACK                       |                      |
|                           | <b>Byte 3</b>        |
| ACK                       |                      |
|                           | <b>Byte 4</b>        |
| ACK                       |                      |
|                           | <b>Byte 5</b>        |
| ACK                       |                      |
| Stop Bit                  |                      |

### Notes:

1. The ICS clock generator is a slave/receiver, I<sup>2</sup>C component. It can read back the data stored in the latches for verification. **Read-Back will support Intel PIIX4 "Block-Read" protocol.**
2. The data transfer rate supported by this clock generator is 100K bits/sec or less (standard mode)
3. The input is operating at 3.3V logic levels.
4. The data byte format is 8 bit bytes.
5. To simplify the clock generator I<sup>2</sup>C interface, the protocol is set to use only **"Block-Writes"** from the controller. The bytes must be accessed in sequential order from lowest to highest byte with the ability to stop after any complete byte has been transferred. The Command code and Byte count shown above must be sent, but the data is ignored for those two bytes. The data is loaded until a Stop sequence is issued.
6. At power-on, all registers are set to a default condition, as shown.



## Shared Pin Operation - Input/Output Pins

The I/O pins designated by (input/output) on the ICS9248-90 serve as dual signal functions to the device. During initial power-up, they act as input pins. The logic level (voltage) that is present on these pins at this time is read and stored into a 5-bit internal data latch. At the end of Power-On reset, (see AC characteristics for timing values), the device changes the mode of operations for these pins to an output function. In this mode the pins produce the specified buffered clocks to external loads.

To program (load) the internal configuration register for these pins, a resistor is connected to either the VDD (logic 1) power supply or the GND (logic 0) voltage potential. A 10 Kilohm (10K) resistor is used to provide both the solid CMOS programming voltage needed during the power-up programming period and to provide an insignificant load on the output clock during the subsequent operating period.

Figure 1 shows a means of implementing this function when a switch or 2 pin header is used. With no jumper is installed the pin will be pulled high. With the jumper in place the pin will be pulled low. If programmability is not necessary, than only a single resistor is necessary. The programming resistors should be located close to the series termination resistor to minimize the current loop area. It is more important to locate the series termination resistor close to the driver than the programming resistor.

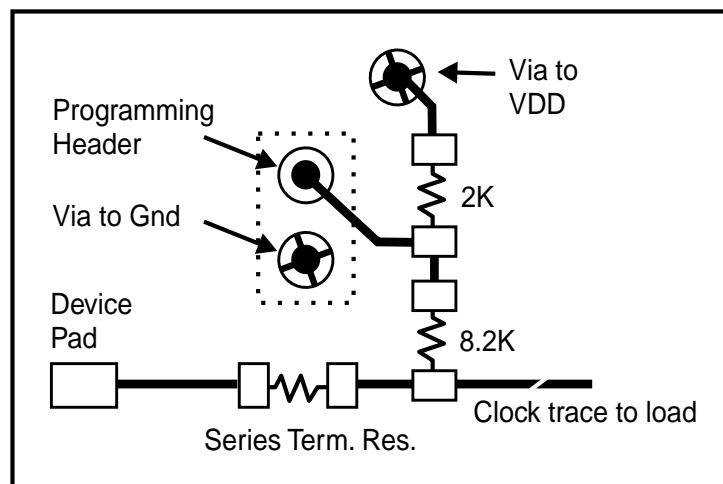
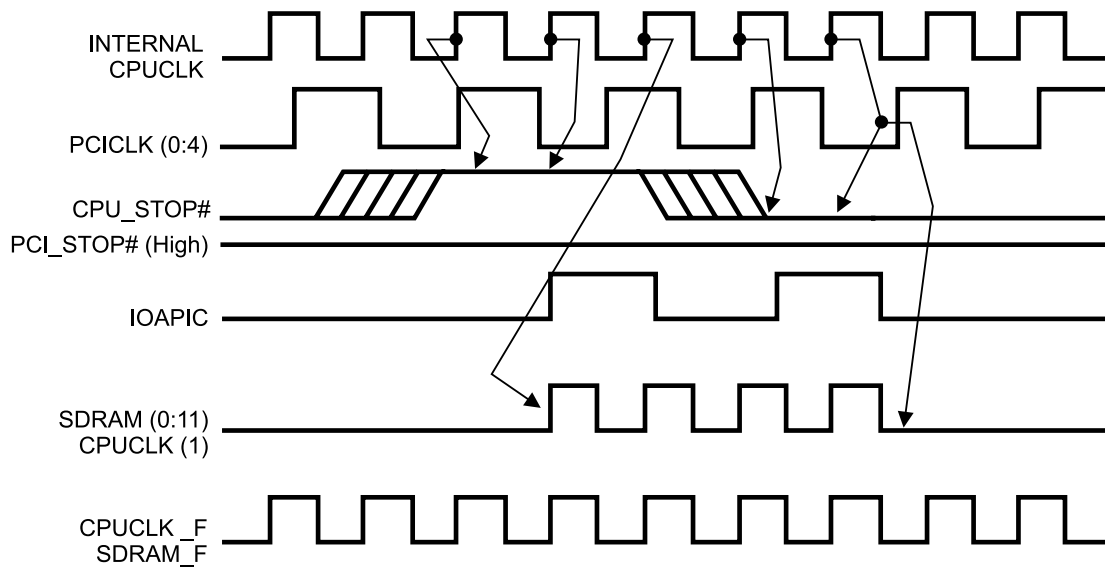


Fig. 1



### CPU\_STOP# Timing Diagram

CPU\_STOP# is an asynchronous input to the clock synthesizer. It is used to turn off the CPU clocks for low power operation. CPU\_STOP# is synchronized by the ICS9248-90. The minimum that the CPU clock is enabled (CPU\_STOP# high pulse) is 100 CPU clocks. All other clocks will continue to run while the CPU clocks are disabled. The CPU clocks will always be stopped in a low state and start in such a manner that guarantees the high pulse width is a full pulse. CPU clock on latency is less than 4 CPU clocks and CPU clock off latency is less than 4 CPU clocks.



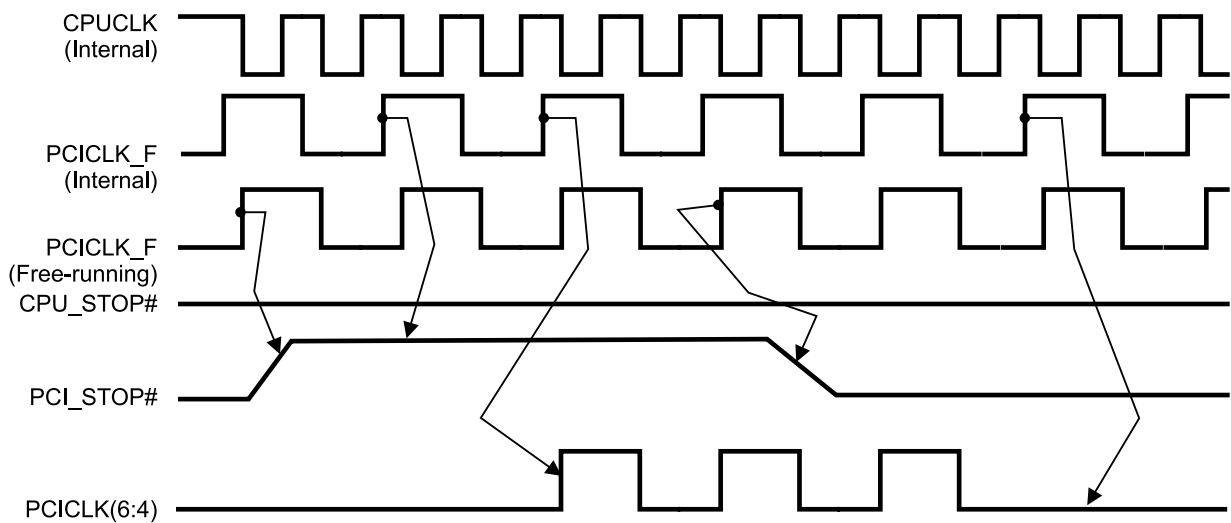
**Notes:**

- 1. All timing is referenced to the internal CPU clock.
- 2. CPU\_STOP# is an asynchronous input and metastable conditions may exist. This signal is synchronized to the CPU clocks inside the ICS9248-90.
- 3. IOAPIC output is Stopped Glitch Free by CPUSTOP# going low.
- 4. SDRAM-F output is controlled by Buffer in signal, not affected by the ICS9248-90 CPU\_STOP# signal. SDRAM (0:11) are controlled as shown.
- 5. All other clocks continue to run undisturbed.



## PCI\_STOP# Timing Diagram

PCI\_STOP# is an asynchronous input to the **ICS9248-90**. It is used to turn off the PCICLK (0:4) clocks for low power operation. PCI\_STOP# is synchronized by the **ICS9248-90** internally. The minimum that the PCICLK (0:4) clocks are enabled (PCI\_STOP# high pulse) is at least 10 PCICLK (0:4) clocks. PCICLK (0:4) clocks are stopped in a low state and started with a full high pulse width guaranteed. PCICLK (0:4) clock on latency cycles are only one rising PCICLK clock off latency is one PCICLK clock.



### Notes:

1. All timing is referenced to the Internal CPUCLK (defined as inside the ICS9248 device.)
2. PCI\_STOP# is an asynchronous input, and metastable conditions may exist. This signal is required to be synchronized inside the ICS9248.
3. All other clocks continue to run undisturbed.
4. CPU\_STOP# is shown in a high (true) state.



**General Layout Precautions:**

1) Use a ground plane on the top routing layer of the PCB in all areas not used by traces.

2) Make all power traces and ground traces as wide as the via pad for lower inductance.

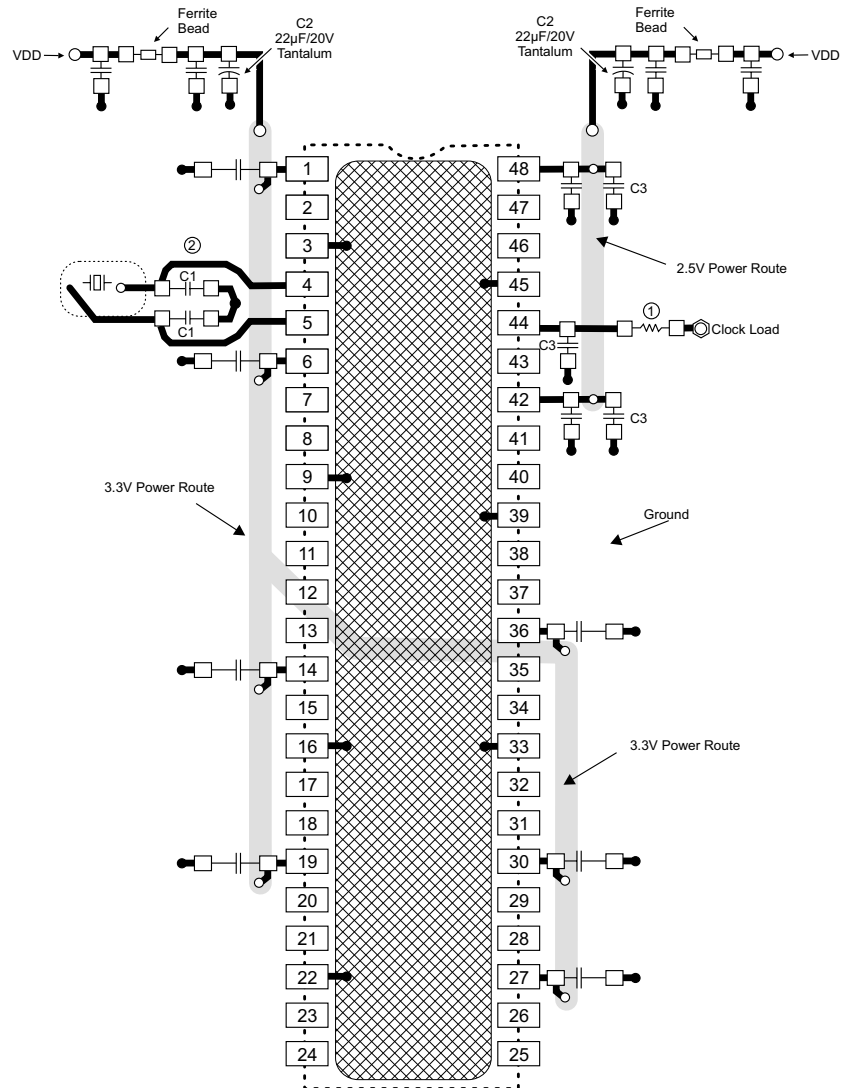
**Notes:**

① All clock outputs should have provisions for a 15pf capacitor between the clock output and series terminating resistor. Not shown in all places to improve readability of diagram.

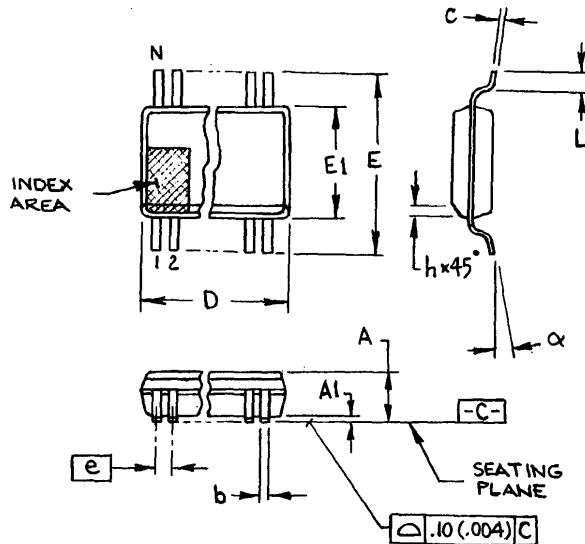
② Optional crystal load capacitors are recommended. They should be included in the layout but not inserted unless needed.

**Connections to VDD:**

- Best
- Okay
- Avoid
- Avoid



- = Routed Power
- = Ground Connection Key (component side copper)
- = Ground Plane Connection
- = Power Route Connection
- = Solder Pads
- = Clock Load



300 mil SSOP

| SYMBOL | In Millimeters<br>COMMON DIMENSIONS |       | In Inches<br>COMMON DIMENSIONS |       |
|--------|-------------------------------------|-------|--------------------------------|-------|
|        | MIN                                 | MAX   | MIN                            | MAX   |
| A      | 2.40                                | 2.80  | .095                           | .110  |
| A1     | 0.20                                | 0.40  | .008                           | .016  |
| b      | 0.20                                | 0.34  | .008                           | .0135 |
| c      | 0.13                                | 0.25  | .005                           | .010  |
| D      | SEE VARIATIONS                      |       | SEE VARIATIONS                 |       |
| E      | 10.00                               | 10.70 | .395                           | .420  |
| E1     | 7.40                                | 7.60  | .291                           | .299  |
| e      | 0.065 BASIC                         |       | 0.025 BASIC                    |       |
| h      | 0.40                                | 0.65  | .015                           | .025  |
| L      | 0.50                                | 1.00  | .020                           | .040  |
| N      | SEE VARIATIONS                      |       | SEE VARIATIONS                 |       |
| α      | 0°                                  | 8°    | 0°                             | 8°    |

VARIATIONS

| N  | D mm. |       | D (inch) |      |
|----|-------|-------|----------|------|
|    | MIN   | MAX   | MIN      | MAX  |
| 28 | 9.40  | 9.65  | .370     | .380 |
| 34 | 11.30 | 11.55 | .445     | .455 |
| 48 | 15.75 | 16.00 | .620     | .630 |
| 56 | 18.30 | 18.55 | .720     | .730 |
| 64 | 20.80 | 21.05 | .820     | .830 |

Ordering Information

ICS9248yF-90-T

Example:

ICS XXXX y F - PPP - T

- Prefix  
ICS, AV = Standard Device
- Device Type (consists of 3 or 4 digit numbers)
- Revision Designator (will not correlate with datasheet revision)
- Package Type  
F=SSOP
- Pattern Number (2 or 3 digit number for parts with ROM code patterns)
- Designation for tape and reel packaging

ICS reserves the right to make changes in the device data identified in this publication without further notice. ICS advises its customers to obtain the latest version of all device data to verify that any information being relied upon by the customer is current and accurate.