



GENERAL DESCRIPTION



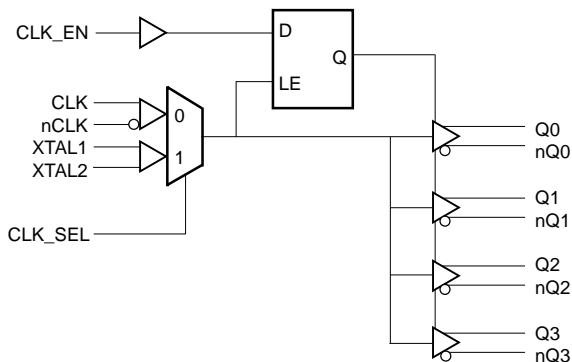
The ICS8533-11 is a low skew, high performance 1-to-4 Crystal Oscillator/Differential-to-3.3V LVPECL fanout buffer and a member of the HiPerClockS™ family of High Performance Clock Solutions from ICS. The ICS8533-11 has selectable differential clock or crystal inputs. The CLK, nCLK pair can accept most standard differential input levels. The clock enable is internally synchronized to eliminate runt pulses on the outputs during asynchronous assertion/deassertion of the clock enable pin.

Guaranteed output and part-to-part skew characteristics make the ICS8533-11 ideal for those applications demanding well defined performance and repeatability.

FEATURES

- 4 differential 3.3V LVPECL outputs
- Selectable CLK, nCLK or crystal inputs
- CLK, nCLK pair can accept the following differential input levels: LVDS, LVPECL, LVHSTL, SSTL, HCSL
- Maximum output frequency up to 650MHz
- Translates any single-ended input signal to 3.3V LVPECL levels with resistor bias on nCLK input
- Output skew: 30ps (maximum)
- Part-to-part skew: 150ps (maximum)
- Propagation delay: 2ns (maximum)
- 3.3V operating supply
- 0°C to 70°C ambient operating temperature
- Industrial temperature information available upon request

BLOCK DIAGRAM



PIN ASSIGNMENT

| | | | |
|---------|----|----|-----|
| VEE | 1 | 20 | Q0 |
| CLK_EN | 2 | 19 | nQ0 |
| CLK_SEL | 3 | 18 | Vcc |
| CLK | 4 | 17 | Q1 |
| nCLK | 5 | 16 | nQ1 |
| XTAL1 | 6 | 15 | Q2 |
| XTAL2 | 7 | 14 | nQ2 |
| nc | 8 | 13 | Vcc |
| nc | 9 | 12 | Q3 |
| Vcc | 10 | 11 | nQ3 |

ICS8533-11
20-Lead TSSOP
6.5mm x 4.4mm x 0.92 Package Body
G Package
Top View



TABLE 1. PIN DESCRIPTIONS

| Number | Name | Type | | Description |
|------------|-----------------|--------|----------|---|
| 1 | V _{EE} | Power | | Negative supply pin. Connect to ground. |
| 2 | CLK_EN | Input | Pullup | Synchronizing clock enable. When HIGH, clock outputs follows clock input. When LOW, Q outputs are forced low, nQ outputs are forced high. LVCMOS / LVTTTL interface levels. |
| 3 | CLK_SEL | Input | Pulldown | Clock select input. When LOW, selects CLK, nCLK input. When HIGH, selects XTAL input. LVCMOS / LVTTTL interface levels. |
| 4 | CLK | Input | Pulldown | Non-inverting differential clock input. |
| 5 | nCLK | Input | Pullup | Inverting differential clock input. |
| 6 | XTAL1 | Input | Pulldown | Crystal oscillator input. |
| 7 | XTAL2 | Input | Pullup | Crystal oscillator input. |
| 8, 9 | nc | Unused | | No connect. |
| 10, 13, 18 | V _{CC} | Power | | Positive supply pins. Connect to 3.3V. |
| 11, 12 | nQ3, Q3 | Output | | Differential clock outputs. LVPECL interface levels. |
| 14, 15 | nQ2, Q2 | Output | | Differential clock outputs. LVPECL interface levels. |
| 16, 17 | nQ1, Q1 | Output | | Differential clock outputs. LVPECL interface levels. |
| 19, 20 | nQ0, Q0 | Output | | Differential clock outputs. LVPECL interface levels. |

NOTE: *Pullup* and *Pulldown* refers to internal input resistors. See Table 2, Pin characteristics, for typical values.

TABLE 2. PIN CHARACTERISTICS

| Symbol | Parameter | Test Conditions | Minimum | Typical | Maximum | Units |
|-----------------------|-------------------------|-----------------|---------|---------|---------|-------|
| C _{IN} | Input Capacitance | CLK, nCLK | | | 4 | pF |
| | | CLK_EN, CLK_SEL | | | 4 | pF |
| R _{PULLUP} | Input Pullup Resistor | | | 51 | | KΩ |
| R _{PULLDOWN} | Input Pulldown Resistor | | | 51 | | KΩ |



TABLE 3A. CONTROL INPUT FUNCTION TABLE

| Inputs | | | Outputs | |
|--------|---------|-----------------|---------------|----------------|
| CLK_EN | CLK_SEL | Selected Source | Q0 thru Q3 | nQ0 thru nQ3 |
| 0 | 0 | CLK, nCLK | Disabled; LOW | Disabled; HIGH |
| 0 | 1 | XTAL1, XTAL2 | Disabled; LOW | Disabled; HIGH |
| 1 | 0 | CLK, nCLK | Enabled | Enabled |
| 1 | 1 | XTAL1, XTAL2 | Enabled | Enabled |

After CLK_EN switches, the clock outputs are disabled or enabled following a rising and falling input clock or crystal oscillator edge as shown in *Figure 1*.

In the active mode, the state of the outputs are a function of the CLK, nCLK and XTAL1, XTAL2 inputs as described in Table 3B.

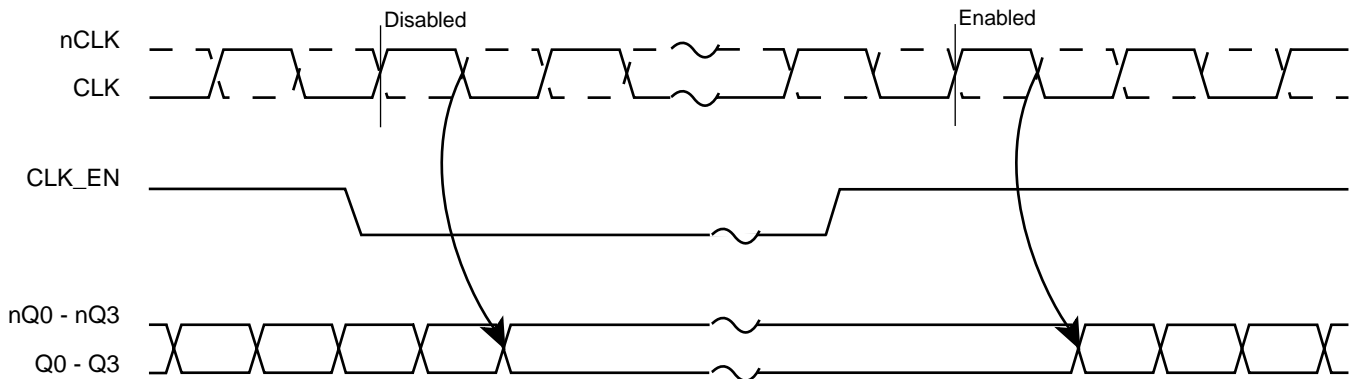


FIGURE 1 - CLK_EN TIMING DIAGRAM

TABLE 3B. CLOCK INPUT FUNCTION TABLE

| Inputs | | Outputs | | Input to Output Mode | Polarity |
|----------------|----------------|------------|--------------|------------------------------|---------------|
| CLK | nCLK | Q0 thru Q3 | nQ0 thru nQ3 | | |
| 0 | 1 | LOW | HIGH | Differential to Differential | Non Inverting |
| 1 | 0 | HIGH | LOW | Differential to Differential | Non Inverting |
| 0 | Biased; NOTE 1 | LOW | HIGH | Single Ended to Differential | Non Inverting |
| 1 | Biased; NOTE 1 | HIGH | LOW | Single Ended to Differential | Non Inverting |
| Biased; NOTE 1 | 0 | HIGH | LOW | Single Ended to Differential | Inverting |
| Biased; NOTE 1 | 1 | LOW | HIGH | Single Ended to Differential | Inverting |

NOTE 1: Please refer to the Application Information section on page 10, Figure 12, which discusses wiring the differential input to accept single ended levels.



ABSOLUTE MAXIMUM RATINGS

| | |
|--|--------------------------|
| Supply Voltage, V_{CCx} | 4.6V |
| Inputs, V_I | -0.5V to $V_{CC} + 0.5V$ |
| Outputs, V_O | -0.5V to $V_{CC} + 0.5V$ |
| Package Thermal Impedance, θ_{JA} | 73.2°C/W (0lfpm) |
| Storage Temperature, T_{STG} | -65°C to 150°C |

Stresses beyond those listed under Absolute Maximum Ratings may cause permanent damage to the device. These ratings are stress specifications only. Functional operation of product at these conditions or any conditions beyond those listed in the *DC Characteristics* or *AC Characteristics* is not implied. Exposure to absolute maximum rating conditions for extended periods may affect product reliability.

TABLE 4A. POWER SUPPLY DC CHARACTERISTICS, $V_{CC} = 3.3V \pm 5\%$, $T_A = 0^\circ C$ TO $70^\circ C$

| Symbol | Parameter | Test Conditions | Minimum | Typical | Maximum | Units |
|----------|----------------------|-----------------|---------|---------|---------|-------|
| V_{CC} | Power Supply Voltage | | 3.135 | 3.3 | 3.465 | V |
| I_{EE} | Power Supply Current | | | | 50 | mA |

TABLE 4B. LVCMOS / LVTTTL DC CHARACTERISTICS, $V_{CC} = 3.3V \pm 5\%$, $T_A = 0^\circ C$ TO $70^\circ C$

| Symbol | Parameter | Test Conditions | Minimum | Typical | Maximum | Units |
|----------|--------------------|--------------------|--------------------------------|---------|---------|---------|
| V_{IH} | Input High Voltage | CLK_EN, CLK_SEL | 2 | | 3.765 | V |
| V_{IL} | Input Low Voltage | CLK_EN, CLK_SEL | -0.3 | | 0.8 | V |
| I_{IH} | Input High Current | CLK_EN | $V_{IN} = V_{CC} = 3.465V$ | | 5 | μA |
| | | CLK_SEL | $V_{IN} = V_{CC} = 3.465V$ | | 150 | μA |
| I_{IL} | Input Low Current | CLK_EN | $V_{IN} = 0V, V_{CC} = 3.465V$ | -150 | | μA |
| | | CLK_SEL | $V_{IN} = 0V, V_{CC} = 3.465V$ | -5 | | μA |

TABLE 4C. DIFFERENTIAL DC CHARACTERISTICS, $V_{CC} = 3.3V \pm 5\%$, $T_A = 0^\circ C$ TO $70^\circ C$

| Symbol | Parameter | Test Conditions | Minimum | Typical | Maximum | Units |
|-----------|---|-----------------|--------------------------------|---------|-----------------|---------|
| I_{IH} | Input High Current | nCLK | $V_{CC} = V_{IN} = 3.465V$ | | 5 | μA |
| | | CLK | $V_{CC} = V_{IN} = 3.465V$ | | 150 | μA |
| I_{IL} | Input Low Current | nCLK | $V_{CC} = 3.465V, V_{IN} = 0V$ | -150 | | μA |
| | | CLK | $V_{CC} = 3.465V, V_{IN} = 0V$ | -5 | | μA |
| V_{PP} | Peak-to-Peak Input Voltage | | 0.15 | | 1.3 | V |
| V_{CMR} | Common Mode Input Voltage; NOTE 1, 2 | | $V_{EE} + 0.5$ | | $V_{CC} - 0.85$ | V |

NOTE 1: For single ended applications the maximum input voltage for CLK and nCLK is $V_{CC} + 0.3V$.

NOTE 2: Common mode voltage is defined as V_{IH} .



TABLE 4D. LVPECL DC CHARACTERISTICS, $V_{CC} = 3.3V \pm 5\%$, $T_A = 0^\circ C$ TO $70^\circ C$

| Symbol | Parameter | Test Conditions | Minimum | Typical | Maximum | Units |
|-------------|-----------------------------------|-----------------|----------------|---------|----------------|-------|
| V_{OH} | Output High Voltage; NOTE 1 | | $V_{CC} - 1.4$ | | $V_{CC} - 1.0$ | V |
| V_{OL} | Output Low Voltage; NOTE 1 | | $V_{CC} - 2.0$ | | $V_{CC} - 1.7$ | V |
| V_{SWING} | Peak-to-Peak Output Voltage Swing | | 0.6 | | 0.85 | V |

NOTE 1: Outputs terminated with 50Ω to $V_{CC} - 2V$.

TABLE 5. CRYSTAL CHARACTERISTICS

| Parameter | Test Conditions | Minimum | Typical | Maximum | Units |
|------------------------------------|-------------------------|-------------|---------|---------|------------|
| Mode of Oscillation | | Fundamental | | | |
| Frequency Tolerance | | -50 | | 50 | ppm |
| Frequency Stability | | -100 | | 100 | ppm |
| Drive Level | | | 0.1 | | mW |
| Equivalent Series Resistance (ESR) | | 50 | | 80 | Ω |
| Shunt Capacitance | | | | 7 | pF |
| Series Pin Inductance | | 3 | | 7 | nH |
| Operating Temperature Range | | 0 | | 70 | $^\circ C$ |
| Aging | Per year @ $25^\circ C$ | -5 | | 5 | ppm |
| Frequency Range | | 14 | | 25 | MHz |

TABLE 6. AC CHARACTERISTICS, $V_{CC} = 3.3V \pm 5\%$, $T_A = 0^\circ C$ TO $70^\circ C$

| Symbol | Parameter | Test Conditions | Minimum | Typical | Maximum | Units |
|--------------|------------------------------|--------------------|---------|---------|---------|-------|
| f_{MAX} | Maximum Input Frequency | | | | 650 | MHz |
| t_{PD} | Propagation Delay; NOTE 1 | $f \leq 650MHz$ | 1.0 | | 2.0 | ns |
| $t_{sk(o)}$ | Output Skew; NOTE 2, 5 | | | | 30 | ps |
| $t_{sk(pp)}$ | Part-to-Part Skew; NOTE 3, 5 | | | | 150 | ps |
| t_R | Output Rise Time | 20% to 80% @ 50MHz | 300 | | 700 | ps |
| t_F | Output Fall Time | 20% to 80% @ 50MHz | 300 | | 700 | ps |
| odc | Output Duty Cycle; NOTE 4 | | 47 | 50 | 53 | % |
| oscTOL | Crystal Oscillator Tolerance | | | | TBD | ppm |

All parameters measured at 500MHz unless noted otherwise.

The cycle-to-cycle jitter on the input will equal the jitter on the output. The part does not add jitter.

NOTE 1: Measured from the differential input crossing point to the differential output crossing point.

NOTE 2: Defined as skew between outputs at the same supply voltage and with equal load conditions.

Measured at the output differential cross points.

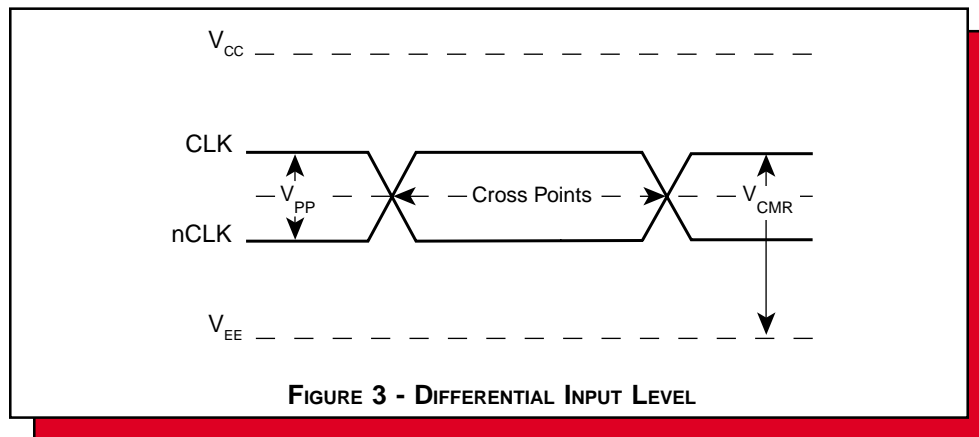
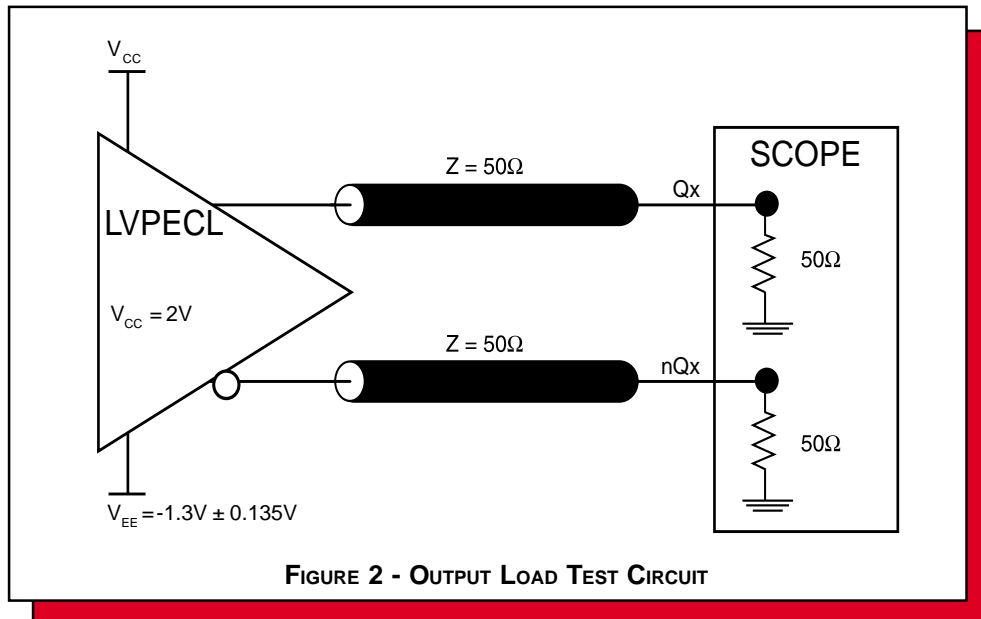
NOTE 3: Defined as skew between outputs on different devices operating at the same supply voltages and with equal load conditions. Using the same type of inputs on each device, the outputs are measured at the differential cross points.

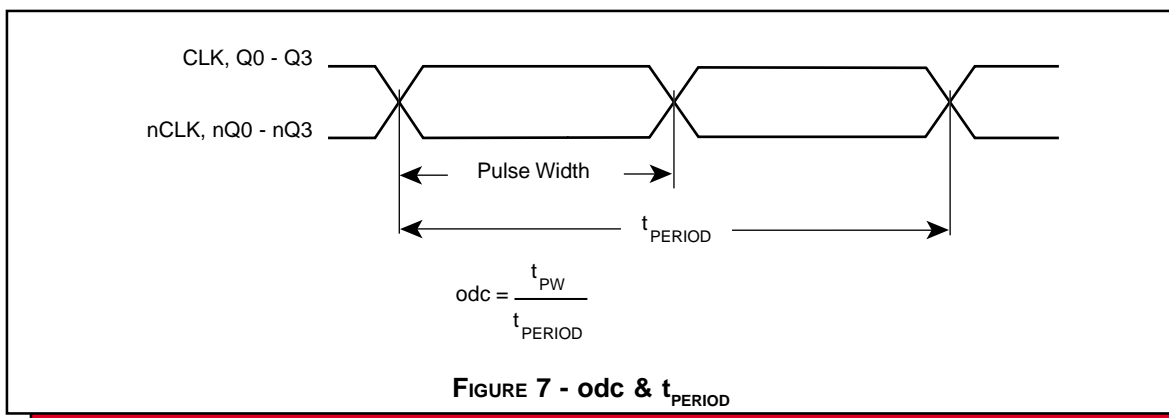
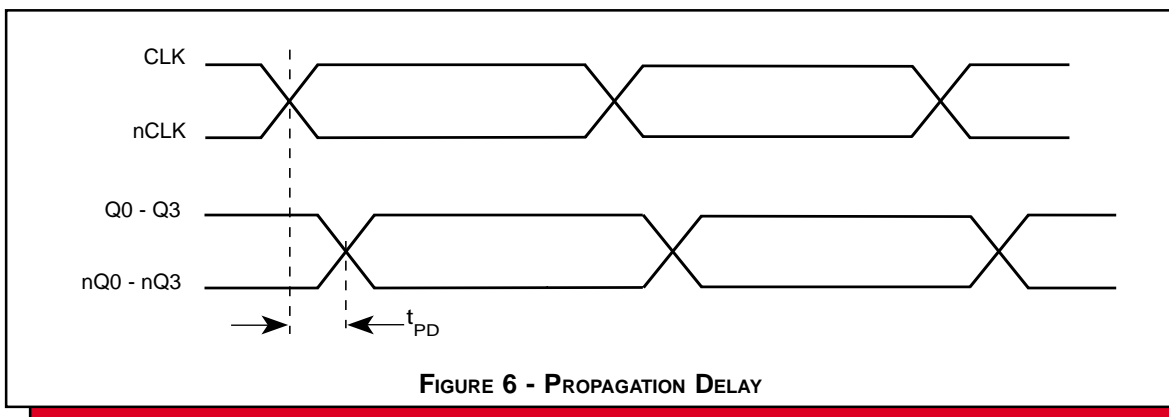
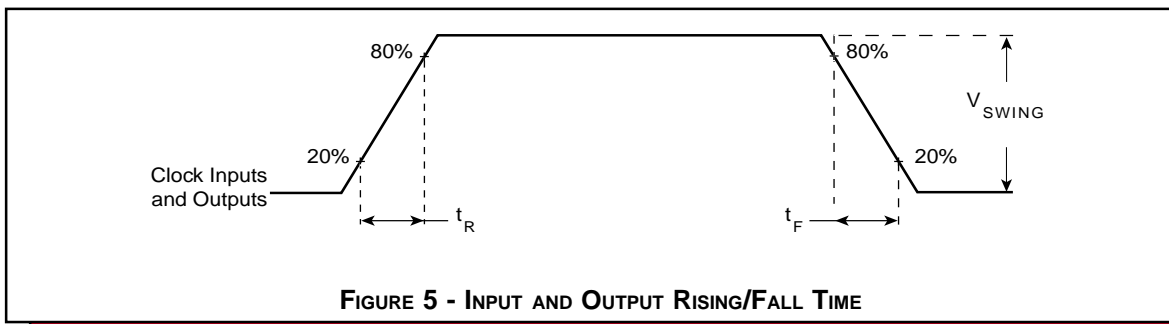
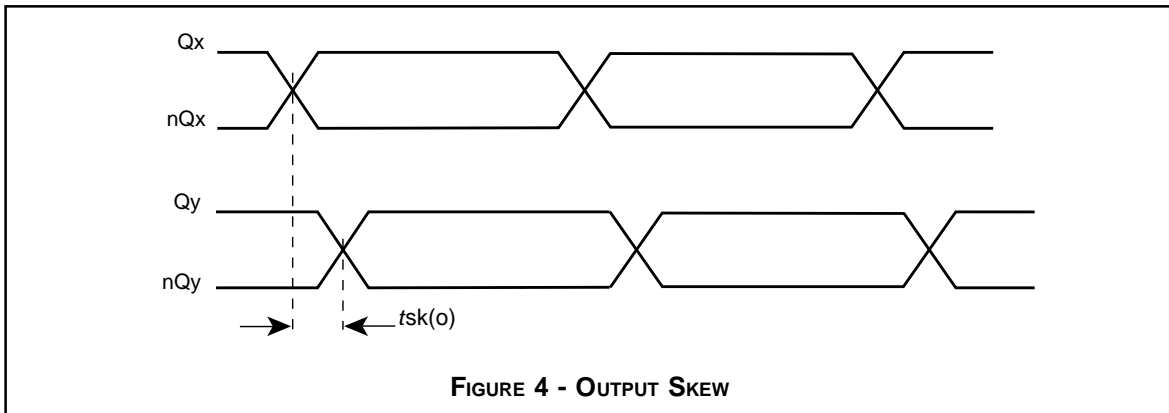
NOTE 4: Measured using CLK. For XTAL input, refer to Application Note.

NOTE 5: This parameter is defined in accordance with JEDEC Standard 65.



PARAMETER MEASUREMENT INFORMATION







APPLICATION INFORMATION

CRYSTAL OSCILLATOR CIRCUIT FREQUENCY FINE TUNING

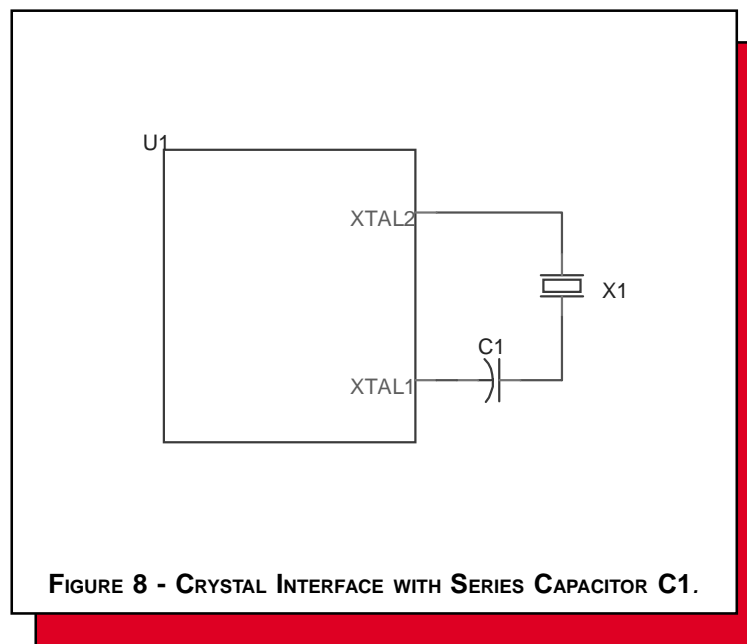
A crystal can be characterized for either series or parallel mode operation. The ICS8533-11 and ICS8535-11 fanout buffers have built-in crystal oscillator circuits that can accept either a series or parallel crystal without additional components. The frequency accuracy provided by this configuration is sufficient for most computer applications.

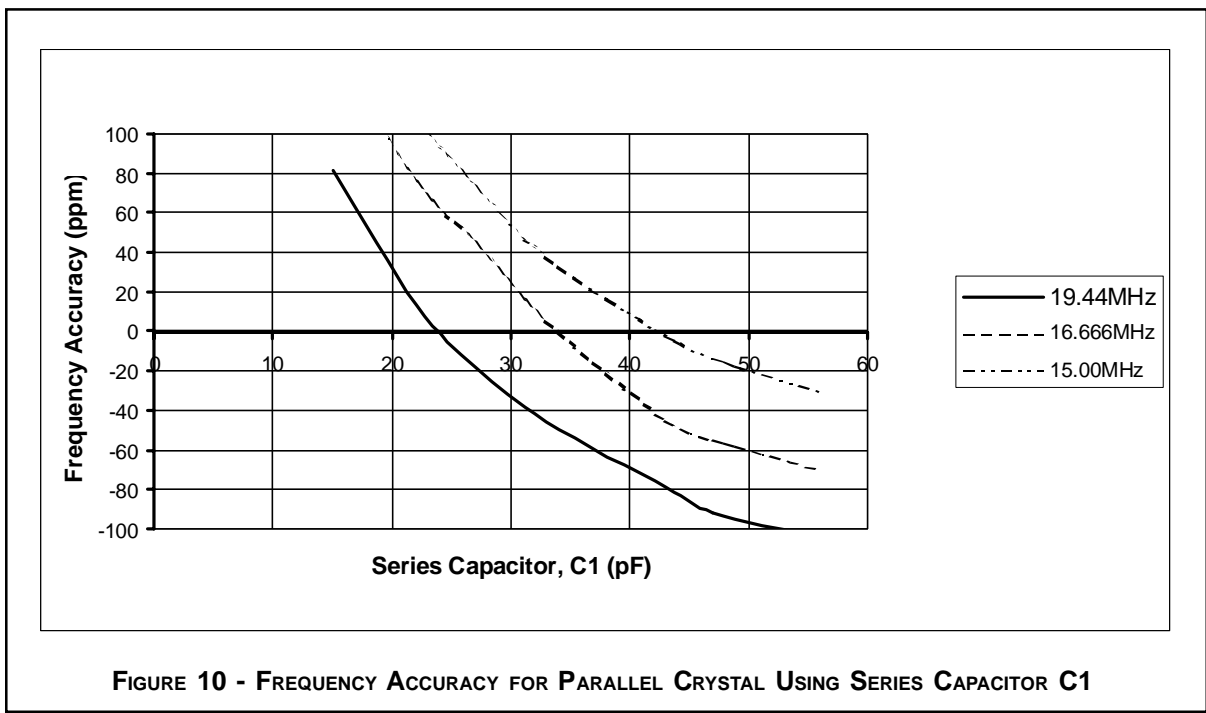
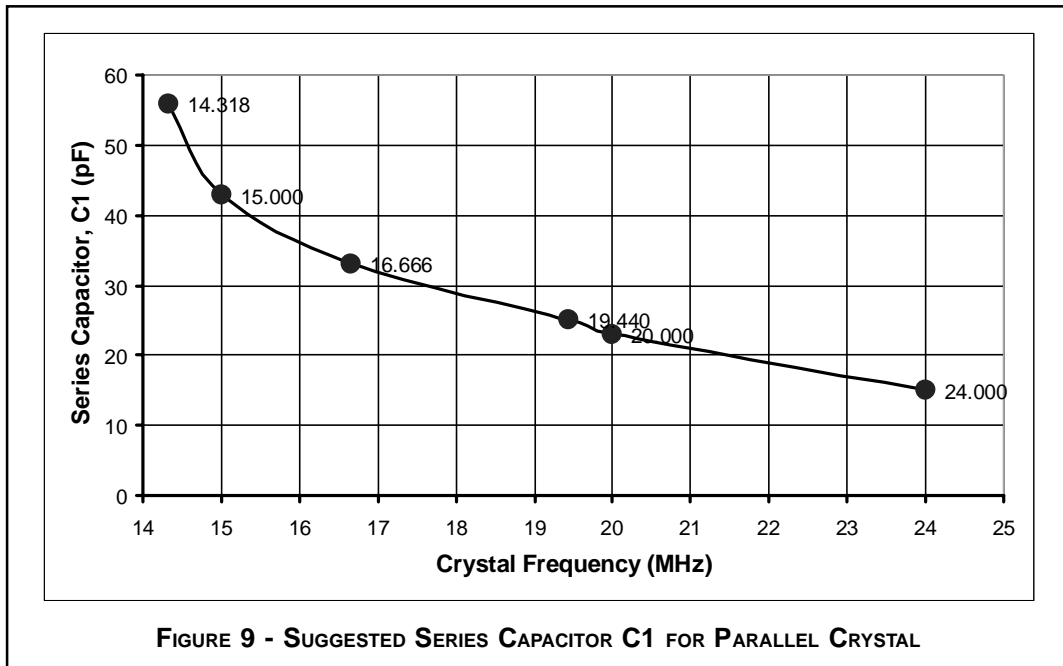
For applications requiring highly accurate clock frequencies, the output frequency can be fine tuned by inserting a small series capacitor C1 at the XTAL1 input (Pin 6 for ICS8533-11) as shown in *Figure 8*. This fine tuning approach can be applied in either parallel or series crystal. The C1 value depends on the crystal type, frequency and the board layout. The parallel crystal fine tuning results in smaller ppm and better performance. It is difficult to provide the precise value of C1. This section provides recommended series capacitor C1 values to start with. This example uses 18pF parallel crystals.

Figure 9 shows the suggested series capacitor value for a parallel crystal. For a 16.666 MHz crystal, the recommended C1 value is about 33pF.

Figure 10 shows frequency accuracy versus series capacitance for 19.44MHz, 16.666MHz and 15MHz crystals. As seen from this figure, a 24pF, 33pF and 43pF series capacitor is used to achieve the lowest ppm error for 19.44MHz, 16.666MHz and 15MHz respectively.

Figure 11 shows the experiment results of crystal oscillator frequency drift due to temperature variation.





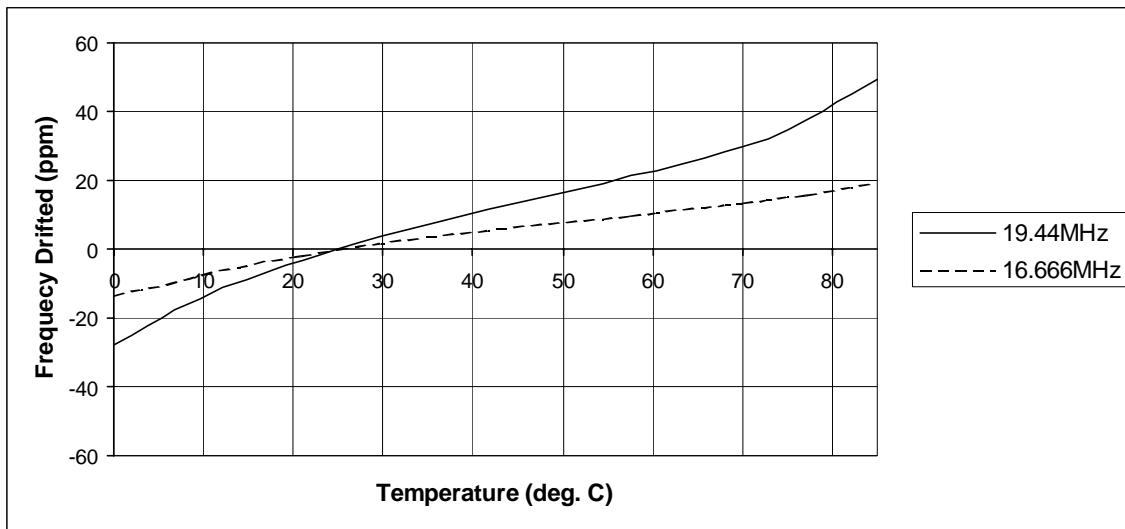


FIGURE 11 - CRYSTAL OSCILLATOR CIRCUIT FREQUENCY DRIFTED DUE TO TEMPERATURE VARIATION

WIRING THE DIFFERENTIAL INPUT TO ACCEPT SINGLE ENDED LEVELS

Figure 12 shows how the differential input can be wired to accept single ended levels. The reference voltage $V_{REF} \approx V_{CC}/2$ is generated by the bias resistors R1, R2 and C1. This bias circuit should be located as close as possible to the input pin. The ratio of R1 and R2 might need to be adjusted to position the V_{REF} in the center of the input voltage swing. For example, if the input clock swing is only 2.5V and $V_{CC} = 3.3V$, V_{REF} should be 1.25V and $R2/R1 = 0.609$.

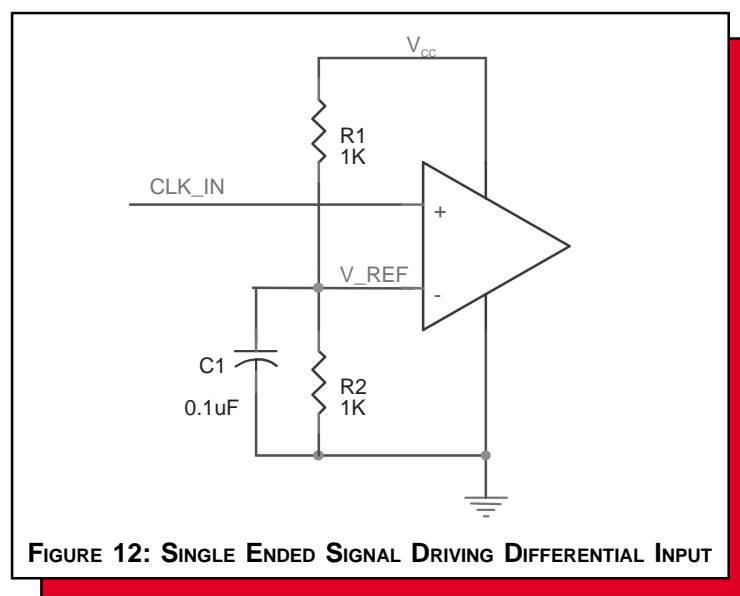


FIGURE 12: SINGLE ENDED SIGNAL DRIVING DIFFERENTIAL INPUT



POWER CONSIDERATIONS

This section provides information on power dissipation and junction temperature for the ICS8533-11. Equations and example calculations are also provided.

1. Power Dissipation.

The total power dissipation for the ICS8533-11 is the sum of the core power plus the power dissipated in the load(s). The following is the power dissipation for $V_{CC} = 3.3V + 5\% = 3.465V$, which gives worst case results.

NOTE: Please refer to Section 3 for details on calculating power dissipated in the load.

- Power (core)_{MAX} = $V_{CC_MAX} * I_{EE_MAX} = 3.465V * 50mA = 173.3mW$
- Power (outputs)_{MAX} = **30.2mW/Loaded Output pair**
If all outputs are loaded, the total power is $4 * 30.2mW = 120.8mW$

Total Power_{MAX} (3.465V, with all outputs switching) = $173.3mW + 120.8mW = 294.1mW$

2. Junction Temperature.

Junction temperature, T_j, is the temperature at the junction of the bond wire and bond pad and directly affects the reliability of the device. The maximum recommended junction temperature for HiPerClockS™ devices is 125°C.

The equation for T_j is as follows: $T_j = \theta_{JA} * Pd_total + T_A$

T_j = Junction Temperature

θ_{JA} = junction-to-ambient thermal resistance

Pd_{total} = Total device power dissipation (example calculation is in section 1 above)

T_A = Ambient Temperature

In order to calculate junction temperature, the appropriate junction-to-ambient thermal resistance θ_{JA} must be used. Assuming a moderate air flow of 200 linear feet per minute and a multi-layer board, the appropriate value is 66.6°C/W per Table 6 below.

Therefore, T_j for an ambient temperature of 70°C with all outputs switching is:

$$70^\circ C + 0.294W * 66.6^\circ C/W = 89.58^\circ C. \text{ This is well below the limit of } 125^\circ C$$

This calculation is only an example. T_j will obviously vary depending on the number of loaded outputs, supply voltage, air flow, and the type of board (single layer or multi-layer).

Table 7. Thermal Resistance θ_{JA} for 20-pin TSSOP, Forced Convection

| θ_{JA} by Velocity (Linear Feet per Minute) | | | |
|--|-----------|----------|----------|
| | 0 | 200 | 500 |
| Single-Layer PCB, JEDEC Standard Test Boards | 114.5°C/W | 98.0°C/W | 88.0°C/W |
| Multi-Layer PCB, JEDEC Standard Test Boards | 73.2°C/W | 66.6°C/W | 63.5°C/W |

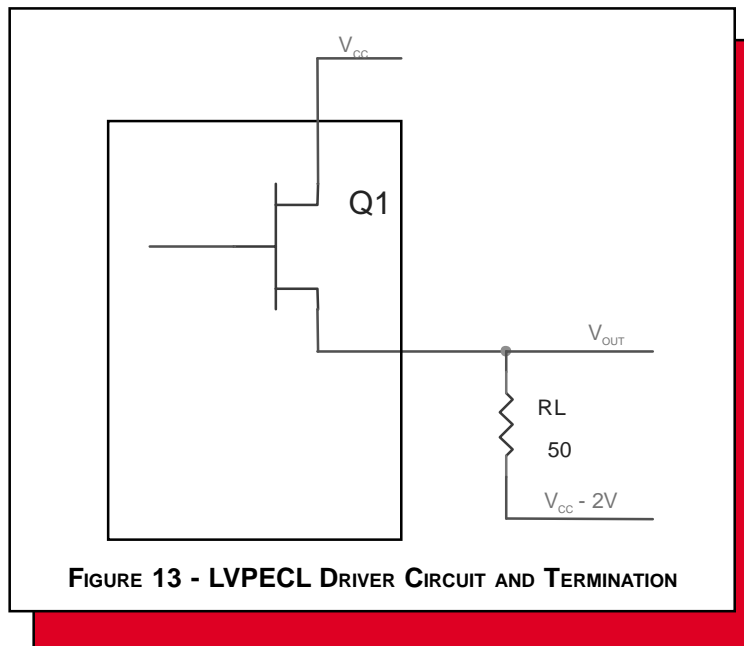
NOTE: Most modern PCB designs use multi-layered boards. The data in the second row pertains to most designs.



3. Calculations and Equations.

The purpose of this section is to derive the power dissipated into the load.

LVPECL output driver circuit and termination are shown in *Figure 8*.



To calculate worst case power dissipation into the load, use the following equations which assume a 50Ω load, and a termination voltage of $V_{CC} - 2V$.

Pd_H is power dissipation when the output drives high.
 Pd_L is the power dissipation when the output drives low.

$$Pd_H = [(V_{OH_MAX} - (V_{CC_MAX} - 2V)) / R_L] * (V_{CC_MAX} - V_{OH_MAX})$$

$$Pd_L = [(V_{OL_MAX} - (V_{CC_MAX} - 2V)) / R_L] * (V_{CC_MAX} - V_{OL_MAX})$$

- For logic high, $V_{OUT} = V_{OH_MAX} = V_{CC_MAX} - 1.0V$
Using $V_{CC_MAX} = 3.465V$, this results in $V_{OH_MAX} = 2.465V$
- For logic low, $V_{OUT} = V_{OL_MAX} = V_{CC_MAX} - 1.7V$
Using $V_{CC_MAX} = 3.465V$, this results in $V_{OL_MAX} = 1.765V$

$$Pd_H = [(2.465V - (3.465V - 2V)) / 50\Omega] * (3.465V - 2.465V) = 20mW$$

$$Pd_L = [(1.765V - (3.465V - 2V)) / 50\Omega] * (3.465V - 1.765V) = 10.2mW$$

Total Power Dissipation per output pair = $Pd_H + Pd_L = 30.2mW$



RELIABILITY INFORMATION

TABLE 8. θ_{JA} VS. AIR FLOW TABLE

| θ_{JA} by Velocity (Linear Feet per Minute) | | | |
|--|-----------|----------|----------|
| | 0 | 200 | 500 |
| Single-Layer PCB, JEDEC Standard Test Boards | 114.5°C/W | 98.0°C/W | 88.0°C/W |
| Multi-Layer PCB, JEDEC Standard Test Boards | 73.2°C/W | 66.6°C/W | 63.5°C/W |

NOTE: Most modern PCB designs use multi-layered boards. The data in the second row pertains to most designs.

TRANSISTOR COUNT

The transistor count for ICS8533-11 is: 428



PACKAGE OUTLINE - G SUFFIX

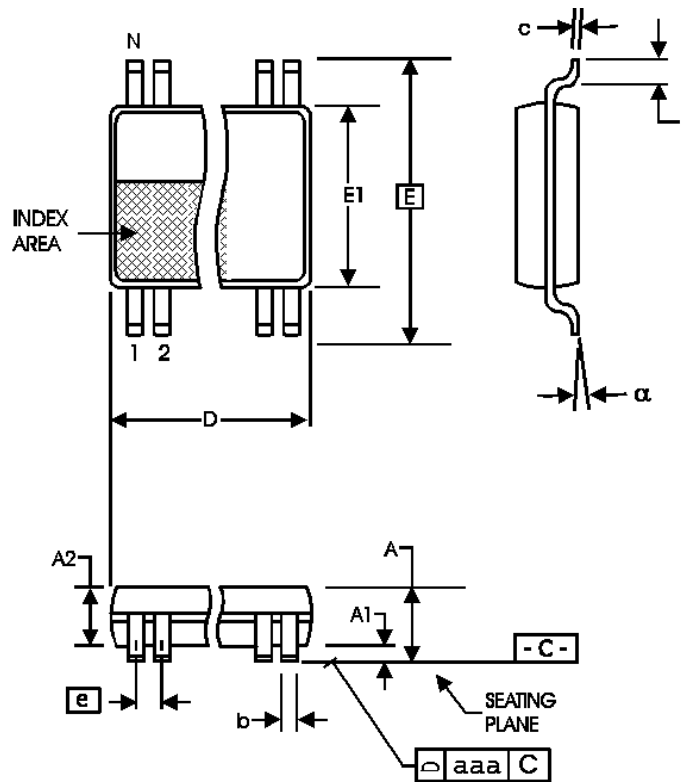


TABLE 9. PACKAGE DIMENSIONS

| SYMBOL | Millimeters | |
|--------|-------------|------|
| | MIN | MAX |
| N | 20 | |
| A | -- | 1.20 |
| A1 | 0.05 | 0.15 |
| A2 | 0.80 | 1.05 |
| b | 0.19 | 0.30 |
| c | 0.09 | 0.20 |
| D | 6.40 | 6.60 |
| E | 6.40 BASIC | |
| E1 | 4.30 | 4.50 |
| e | 0.65 BASIC | |
| L | 0.45 | 0.75 |
| alpha | 0° | 8° |
| aaa | -- | 0.10 |

Reference Document: JEDEC Publication 95, MS-153



Integrated
Circuit
Systems, Inc.

ICS8533-11

LOW SKEW, 1-TO-4, CRYSTAL OSCILLATOR/ DIFFERENTIAL-TO-3.3V LVPECL FANOUT BUFFER

TABLE 10. ORDERING INFORMATION

| Part/Order Number | Marking | Package | Count | Temperature |
|-------------------|--------------|--------------------------------|-------------|-------------|
| ICS8533AG-11 | ICS8533AG-11 | 20 lead TSSOP | 72 per tube | 0°C to 70°C |
| ICS8533AG-11T | ICS8533AG-11 | 20 lead TSSOP on Tape and Reel | 2500 | 0°C to 70°C |

While the information presented herein has been checked for both accuracy and reliability, Integrated Circuit Systems, Incorporated (ICS) assumes no responsibility for either its use or for infringement of any patents or other rights of third parties, which would result from its use. No other circuits, patents, or licenses are implied. This product is intended for use in normal commercial applications. Any other applications such as those requiring extended temperature range, high reliability, or other extraordinary environmental requirements are not recommended without additional processing by ICS. ICS reserves the right to change any circuitry or specifications without notice. ICS does not authorize or warrant any ICS product for use in life support devices or critical medical instruments.