



Integrated Device Technology, Inc.

CMOS ASYNCHRONOUS FIFO 65,536 x 9

ADVANCED
INFORMATION
IDT7208

FEATURES:

- 65536 x 9 storage capacity
- High-speed: 15ns access time
- Low power consumption
 - Active: 660mW (max.)
 - Power-down: 44mW (max.)
- Asynchronous and simultaneous read and write
- Fully expandable in both word depth and width
- Pin and functionally compatible with IDT720x family
- Status Flags: Empty, Half-Full, Full
- Retransmit capability
- High-performance CMOS technology
- Industrial temperature range (-40°C to +85°C) is available, tested to military electrical specifications

internal pointers that load and empty data on a first-in/first-out basis. The device uses Full and Empty flags to prevent data overflow and underflow and expansion logic to allow for unlimited expansion capability in both word size and depth.

Data is toggled in and out of the device through the use of the Write (\bar{W}) and Read (\bar{R}) pins.

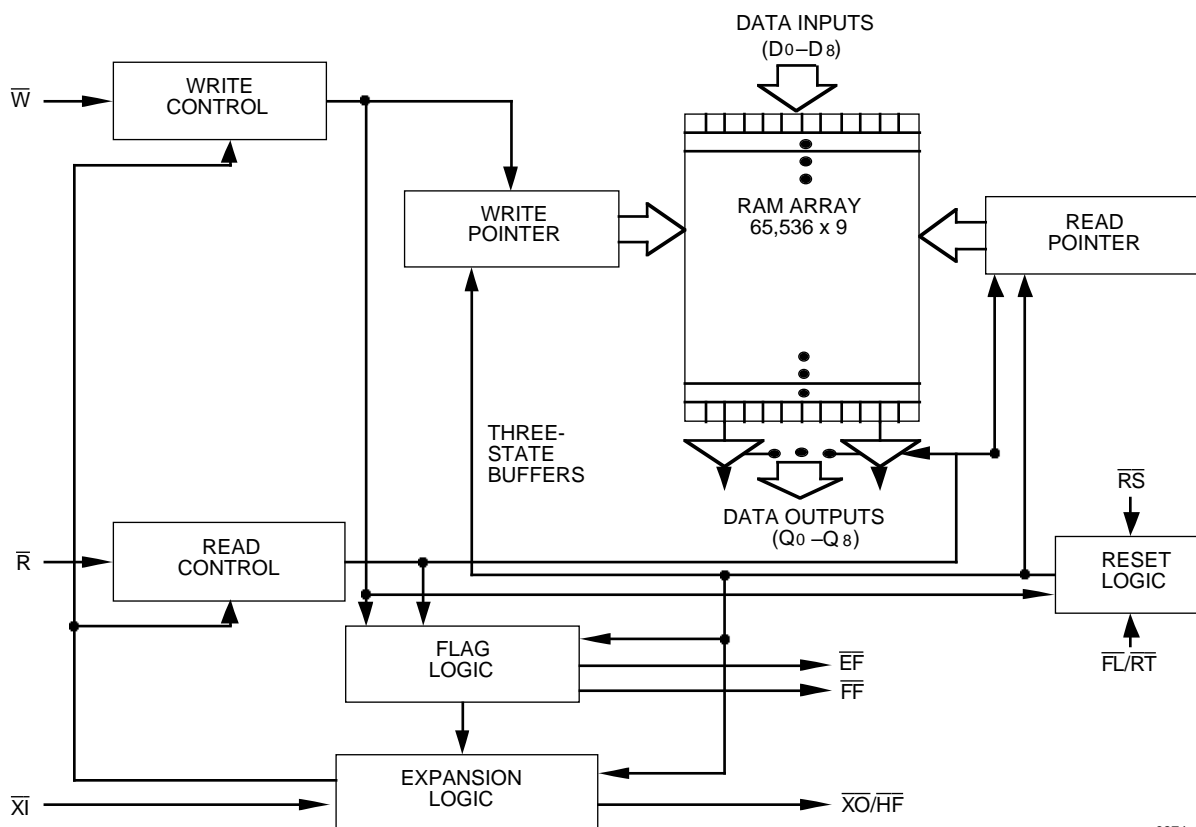
The device's 9-bit width provides a bit for a control or parity at the user's option. It also features a Retransmit (\bar{RT}) capability that allows the read pointer to be reset to its initial position when \bar{RT} is pulsed LOW. A Half-Full Flag is available in the single device and width expansion modes.

The IDT7208 is fabricated using IDT's high-speed CMOS technology. It is designed for applications requiring asynchronous and simultaneous read/writes in multiprocessing, rate buffering, and other applications.

DESCRIPTION:

The IDT7208 is a monolithic dual-port memory buffer with

FUNCTIONAL BLOCK DIAGRAM



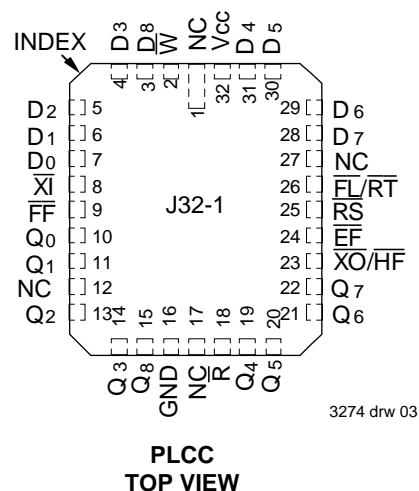
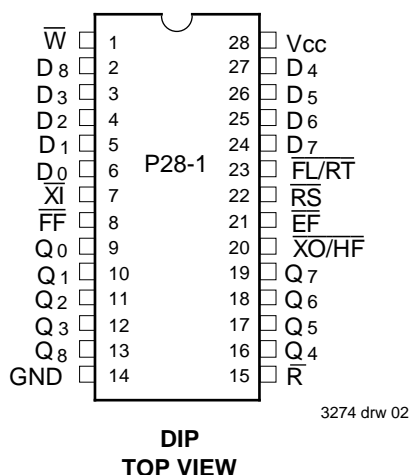
3274 drw 01

The IDT logo is a registered trademark of Integrated Device Technology, Inc.

COMMERCIAL TEMPERATURE RANGES

DECEMBER 1996

PIN CONFIGURATIONS



ABSOLUTE MAXIMUM RATINGS⁽¹⁾

Symbol	Rating	Commercial	Unit
VTERM	Terminal Voltage with Respect to GND	-0.5 to + 7.0	V
TA	Operating Temperature	0 to +70	° C
TBIAS	Temperature Under Bias	-55 to +125	° C
TSTG	Storage Temperature	-55 to + 125	° C
IOUT	DC Output Current	50	mA

NOTE:

- Stresses greater than those listed under ABSOLUTE MAXIMUM RATINGS may cause permanent damage to the device. This is a stress rating only and functional operation of the device at these or any other conditions above those indicated in the operational sections of this specification is not implied. Exposure to absolute maximum rating conditions for extended periods may affect reliability.

RECOMMENDED DC OPERATING CONDITIONS

Symbol	Parameter	Min.	Typ.	Max.	Unit
VCC	Commercial Supply Voltage	4.5	5.0	5.5	V
GND	Supply Voltage	0	0	0	V
VIH ⁽¹⁾	Input High Voltage Commercial	2.0	—	—	V
VIL ⁽¹⁾	Input Low Voltage Commercial	—	—	0.8	V

NOTE:

- 1.5V undershoots are allowed for 10ns once per cycle.

DC ELECTRICAL CHARACTERISTICS FOR THE 7208

(Commercial: VCC = 5.0V±10%, TA = 0°C to +70°C)

Symbol	Parameter	IDT7208 Commercial t _A = 20, 25, 35 ns			
		Min.	Typ.	Max.	Unit
ILI ⁽¹⁾	Input Leakage Current (Any Input)	-1	—	1	μA
ILO ⁽²⁾	Output Leakage Current	-10	—	10	μA
VOH	Output Logic "1" Voltage I _{OH} = -2mA	2.4	—	—	V
VOL	Output Logic "0" Voltage I _{OL} = 8mA	—	—	0.4	V
ICC1 ⁽³⁾	Active Power Supply Current	—	—	120 ⁽⁴⁾	mA
ICC2 ⁽³⁾	Standby Current (R=W=RS=FL/RT=VIH)	—	—	12	mA
ICC3(L) ⁽³⁾	Power Down Current (All Input = VCC - 0.2V)	—	—	8	mA

NOTES:

- Measurements with 0.4 ≤ VIN ≤ VCC.
- R ≥ VIH, 0.4 ≤ VOUT ≤ VCC.
- ICC measurements are made with outputs open (only capacitive loading).
- Tested at f = 20MHz.

AC ELECTRICAL CHARACTERISTICS⁽¹⁾

(Commercial: $V_{CC} = 5V \pm 10\%$, $T_A = 0^{\circ}C$ to $+70^{\circ}C$)

Symbol	Parameters	Commercial						Unit
		7208L20		7208L25		7208L35		
		Min.	Max.	Min.	Max.	Min.	Max.	
fS	Shift Frequency	—	33.3	—	28.5	—	22.2	MHz
tRC	Read Cycle Time	30	—	35	—	45	—	ns
tA	Access Time	—	20	—	25	—	35	ns
tRR	Read Recovery Time	10	—	10	—	10	—	ns
tRPW	Read Pulse Width ⁽²⁾	20	—	25	—	35	—	ns
tRLZ	Read LOW to Data Bus LOW ⁽³⁾	5	—	5	—	5	—	ns
tWLZ	Write HIGH to Data Bus Low-Z ^(3, 4)	5	—	5	—	10	—	ns
tDV	Data Valid from Read HIGH	5	—	5	—	5	—	ns
tRHZ	Read HIGH to Data Bus High-Z ⁽³⁾	—	15	—	18	—	20	ns
tWC	Write Cycle Time	30	—	35	—	45	—	ns
tWPW	Write Pulse Width ⁽²⁾	20	—	25	—	35	—	ns
tWR	Write Recovery Time	10	—	10	—	10	—	ns
tDS	Data Set-up Time	12	—	15	—	18	—	ns
tDH	Data Hold Time	0	—	0	—	0	—	ns
tRSC	Reset Cycle Time	30	—	35	—	45	—	ns
tRS	Reset Pulse Width ⁽²⁾	20	—	25	—	35	—	ns
tRSS	Reset Set-up Time ⁽³⁾	20	—	25	—	35	—	ns
tRTR	Reset Recovery Time	10	—	10	—	10	—	ns
tRTC	Retransmit Cycle Time	30	—	35	—	45	—	ns
tRT	Retransmit Pulse Width ⁽²⁾	20	—	25	—	35	—	ns
tRTS	Retransmit Set-up Time ⁽³⁾	20	—	25	—	35	—	ns
tRSR	Retransmit Recovery Time	10	—	10	—	10	—	ns
tEFL	Reset to \overline{EF} LOW	—	30	—	35	—	45	ns
tHFH, tFFH	Reset to \overline{HF} and \overline{FF} HIGH	—	30	—	35	—	45	ns
tRTF	Retransmit LOW to Flags Valid	—	30	—	35	—	45	ns
tREF	Read LOW to \overline{EF} LOW	—	20	—	25	—	30	ns
tRFF	Read HIGH to \overline{FF} HIGH	—	20	—	25	—	30	ns
tRPE	Read Pulse Width after \overline{EF} HIGH	20	—	25	—	35	—	ns
tWEF	Write HIGH to \overline{EF} HIGH	—	20	—	25	—	30	ns
tWFF	Write LOW to \overline{FF} LOW	—	20	—	25	—	30	ns
tWHF	Write LOW to \overline{HF} Flag LOW	—	30	—	35	—	45	ns
tRHF	Read HIGH to \overline{HF} Flag HIGH	—	30	—	35	—	45	ns
tWPF	Write Pulse Width after \overline{FF} HIGH	20	—	25	—	35	—	ns
tXOL	Read/Write LOW to \overline{XO} LOW	—	20	—	25	—	35	ns
tXOH	Read/Write HIGH to \overline{XO} HIGH	—	20	—	25	—	35	ns
tXI	\overline{XI} Pulse Width ⁽²⁾	20	—	25	—	35	—	ns
tXIR	\overline{XI} Recovery Time	10	—	10	—	10	—	ns
tXIS	\overline{XI} Set-up Time	10	—	10	—	15	—	ns

NOTES:

1. Timings referenced as in AC Test Conditions.
2. Pulse widths less than minimum are not allowed.
3. Values guaranteed by design, not currently tested.
4. Only applies to read data flow-through mode.

AC TEST CONDITIONS

Input Pulse Levels	GND to 3.0V
Input Rise/Fall Times	5ns
Input Timing Reference Levels	1.5V
Output Reference Levels	1.5V
Output Load	See Figure 1

CAPACITANCE⁽¹⁾ (T_A = +25°C, f = 1.0 MHz)

Symbol	Parameter	Condition	Max.	Unit
C _{IN} ⁽¹⁾	Input Capacitance	V _{IN} = 0V	10	pF
C _{OUT} ^(1,2)	Output Capacitance	V _{OUT} = 0V	10	pF

NOTES:

1. This parameter is sampled and not 100% tested.
2. With output deselected.

SIGNAL DESCRIPTIONS

Inputs:

DATA IN (D₀–D₈) — Data inputs for 9-bit wide data.

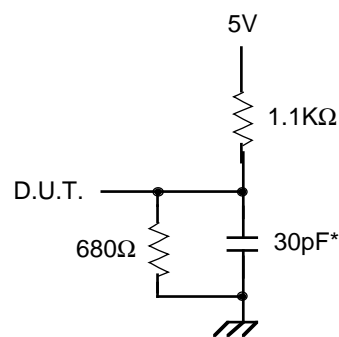
Controls:

RESET (\overline{RS}) — Reset is accomplished whenever the Reset (\overline{RS}) input is taken to a LOW state. During reset, both internal read and write pointers are set to the first location. A reset is required after power-up before a write operation can take place. **Both the Read Enable (\overline{R}) and Write Enable (\overline{W}) inputs must be in the HIGH state during the window shown in Figure 2 (i.e. tr_{SS} before the rising edge of \overline{RS}) and should not change until tr_{SR} after the rising edge of \overline{RS} .**

WRITE ENABLE (\overline{W}) — A write cycle is initiated on the falling edge of this input if the Full Flag (\overline{FF}) is not set. Data set-up and hold times must be adhered-to, with respect to the rising edge of the Write Enable (\overline{W}). Data is stored in the RAM array sequentially and independently of any on-going read operation.

After half of the memory is filled, and at the falling edge of the next write operation, the Half-Full Flag (\overline{HF}) will be set to LOW, and will remain set until the difference between the write pointer and read pointer is less-than or equal to one-half of the total memory of the device. The Half-Full Flag (\overline{HF}) is reset by the rising edge of the read operation.

To prevent data overflow, the Full Flag (\overline{FF}) will go LOW on the falling edge of the last write signal, which inhibits further write operations. Upon the completion of a valid read operation, the Full Flag (\overline{FF}) will go HIGH after tr_{FF}, allowing a new valid write to begin. When the FIFO is full, the internal write pointer is blocked from \overline{W} , so external changes in \overline{W} will not affect the FIFO when it is full.



OR EQUIVALENT CIRCUIT 3274 drw 04

Figure 1. Output Load

*Includes jig and scope capacitances.

READ ENABLE (\overline{R}) — A read cycle is initiated on the falling edge of the Read Enable (\overline{R}), provided the Empty Flag (\overline{EF}) is not set. The data is accessed on a First-In/First-Out basis, independent of any ongoing write operations. After Read Enable (\overline{R}) goes HIGH, the Data Outputs (Q₀ through Q₈) will return to a high-impedance condition until the next Read operation. When all the data has been read from the FIFO, the Empty Flag (\overline{EF}) will go LOW, allowing the “final” read cycle but inhibiting further read operations, with the data outputs remaining in a high-impedance state. Once a valid write operation has been accomplished, the Empty Flag (\overline{EF}) will go HIGH after t_{WEF} and a valid Read can then begin. When the FIFO is empty, the internal read pointer is blocked from \overline{R} so external changes will not affect the FIFO when it is empty.

FIRST LOAD/RETRANSMIT ($\overline{FU/RT}$) — This is a dual-purpose input. In the Depth Expansion Mode, this pin is grounded to indicate that it is the first device loaded (see Operating Modes). The Single Device Mode is initiated by grounding the Expansion In (\overline{XI}).

The IDT7208 can be made to retransmit data when the Retransmit Enable Control (\overline{RT}) input is pulsed LOW. A retransmit operation will set the internal read pointer to the first location and will not affect the write pointer. The status of the Flags will change depending on the relative locations of the read and write pointers. Read Enable (\overline{R}) and Write Enable (\overline{W}) must be in the HIGH state during retransmit. This feature is useful when less than 65,536 writes are performed between resets. The retransmit feature is not compatible with the Depth Expansion Mode.

EXPANSION IN (\overline{XI}) — This input is a dual-purpose pin. Expansion In (\overline{XI}) is grounded to indicate an operation in the single device mode. Expansion In (\overline{XI}) is connected to Expansion Out (\overline{XO}) of the previous device in the Depth Expansion or Daisy-Chain Mode.

Outputs:

FULL FLAG (\overline{FF})— The Full Flag (\overline{FF}) will go LOW, inhibiting further write operations, when the device is full. If the read pointer is not moved after Reset (RS), the Full Flag (FF) will go LOW after 65,536 writes.

EMPTY FLAG (\overline{EF})— The Empty Flag (\overline{EF}) will go LOW, inhibiting further read operations, when the read pointer is equal to the write pointer, indicating that the device is empty.

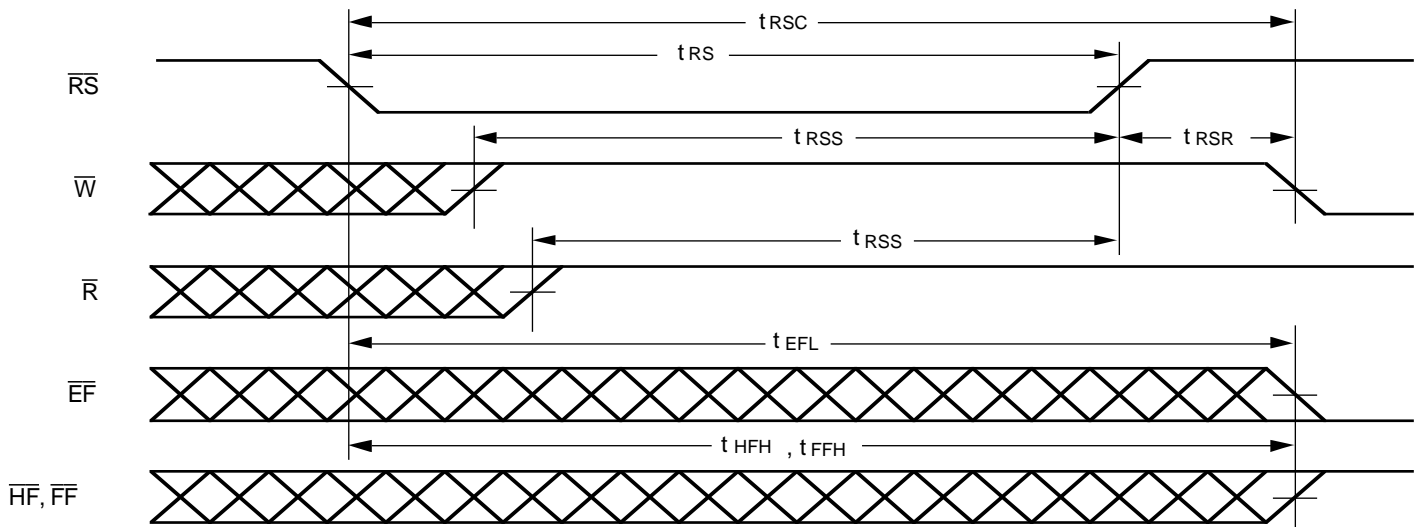
EXPANSION OUT/HALF-FULL FLAG ($\overline{XO}/\overline{HF}$)— This is a dual-purpose output. In the single device mode, when Expansion In (\overline{XI}) is grounded, this output acts as an indication of a half-full memory.

After half of the memory is filled, and at the falling edge of the next write operation, the Half-Full Flag (\overline{HF}) will be set to LOW

and will remain set until the difference between the write pointer and read pointer is less than or equal to one half of the total memory of the device. The Half-Full Flag (\overline{HF}) is then reset by the rising edge of the read operation.

In the Depth Expansion Mode, Expansion In (\overline{XI}) is connected to Expansion Out (\overline{XO}) of the previous device. This output acts as a signal to the next device in the Daisy Chain by providing a pulse to the next device when the previous device reaches the last location of memory. There will be an \overline{XO} pulse when the Write pointer reaches the last location of memory, and an additional \overline{XO} pulse when the Read pointer reaches the last location of memory.

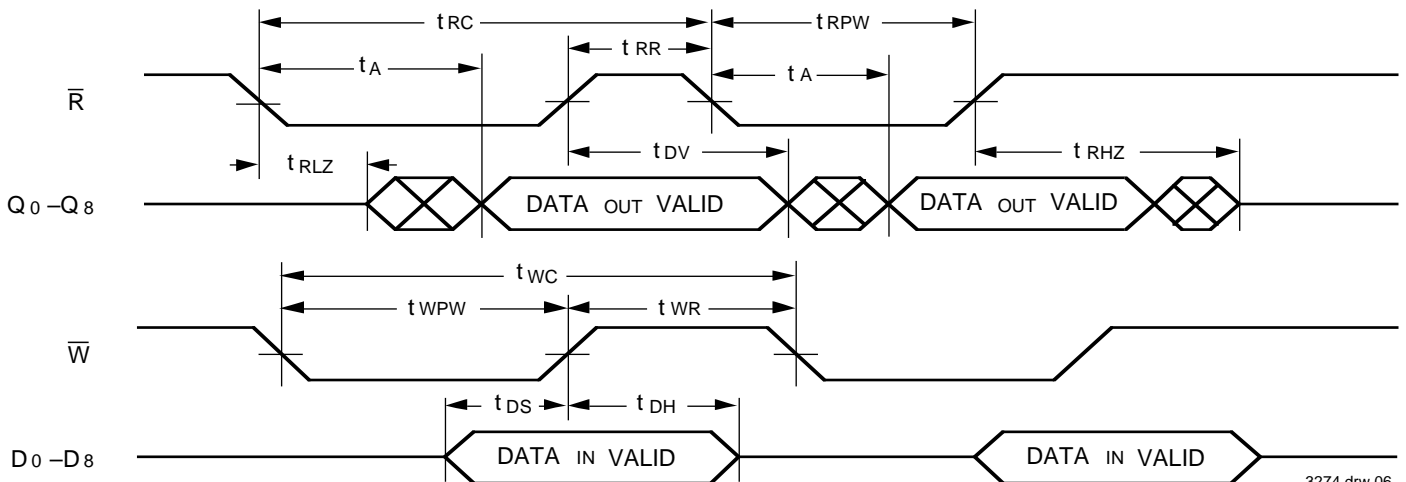
DATA OUTPUTS (Q0-Q8)— Q0-Q8 are data outputs for 9-bit wide data. These outputs are in a high-impedance condition whenever Read (\overline{R}) is in a HIGH state.



NOTE:
1. \overline{W} and \overline{R} = V_{IH} around the rising edge of \overline{RS} .

3274 drw 05

Figure 2. Reset



3274 drw 06

Figure 3. Asynchronous Write and Read Operation

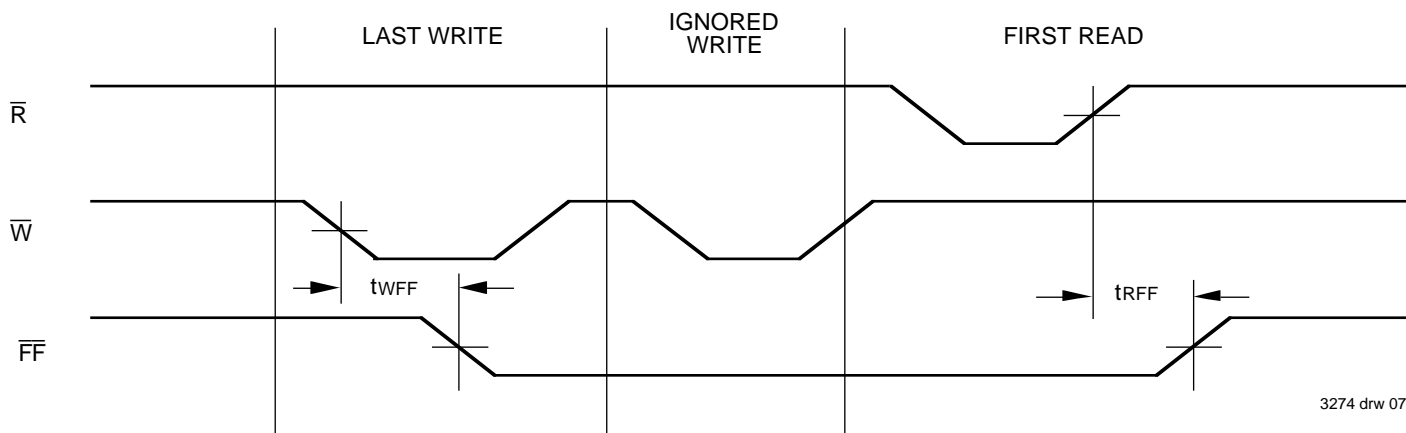


Figure 4. Full Flag Timing From Last Write to First Read

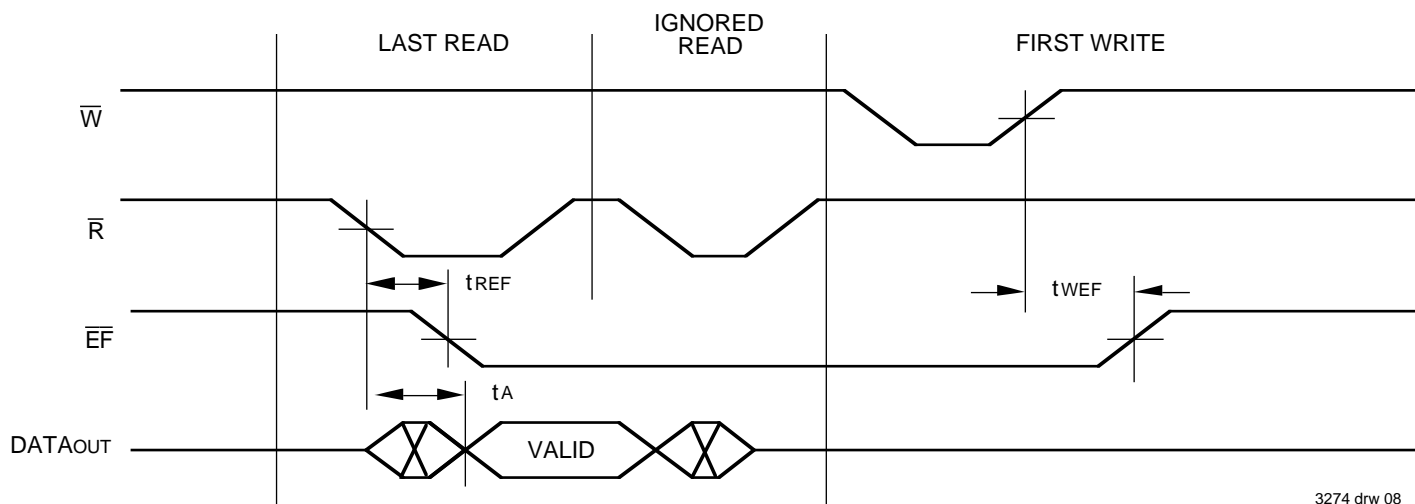
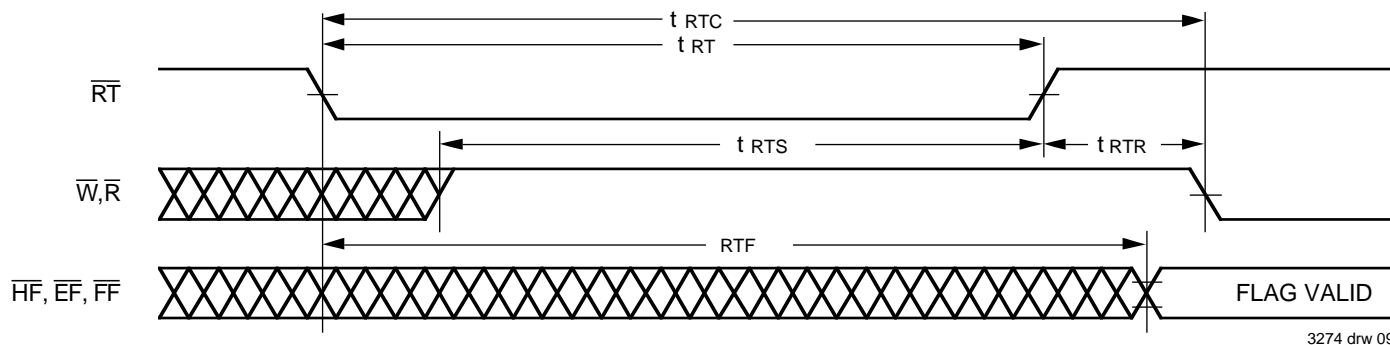


Figure 5. Empty Flag Timing From Last Read to First Write



NOTE:

1. \overline{EF} , \overline{FF} and \overline{HF} may change status during Retransmit, but flags will be valid at t_{RTC} .

Figure 6. Retransmit

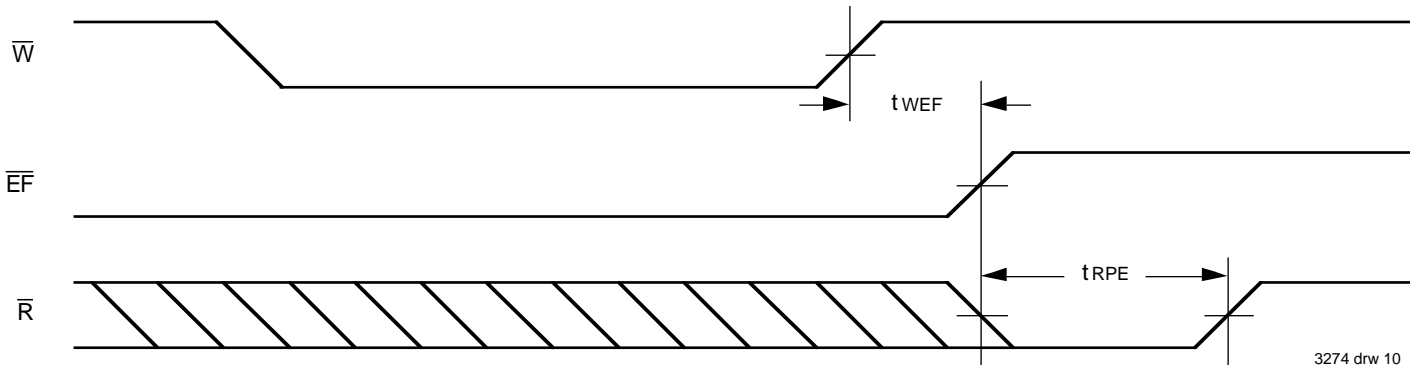


Figure 7. Minimum Timing for an Empty Flag Coincident Read Pulse.

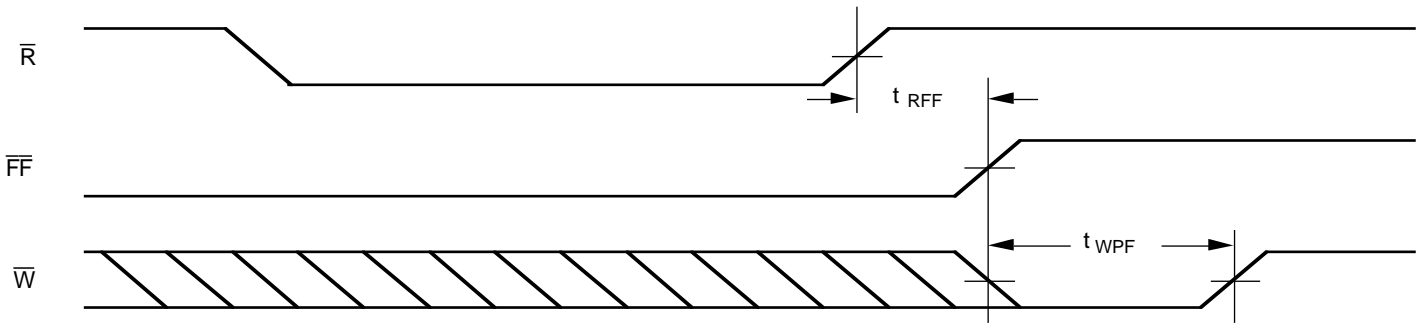


Figure 8. Minimum Timing for a Full Flag Coincident Write Pulse.

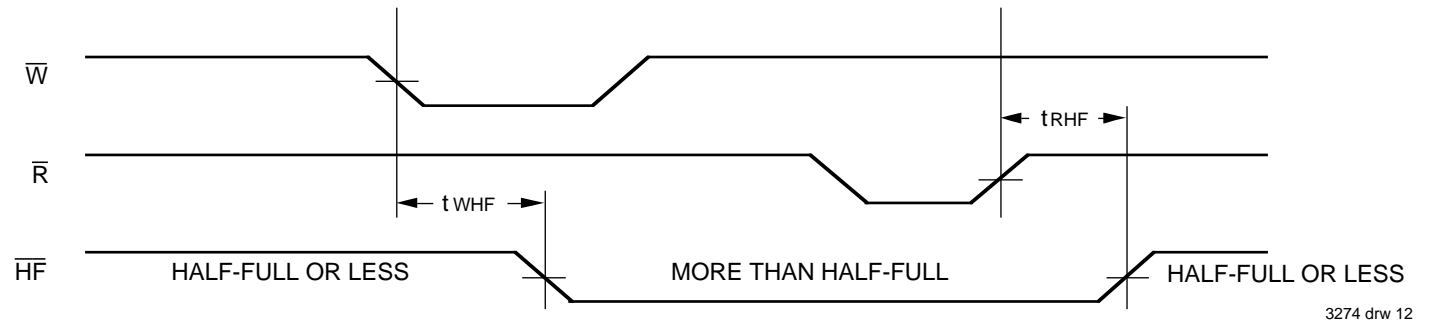


Figure 9. Half-Full Flag Timing

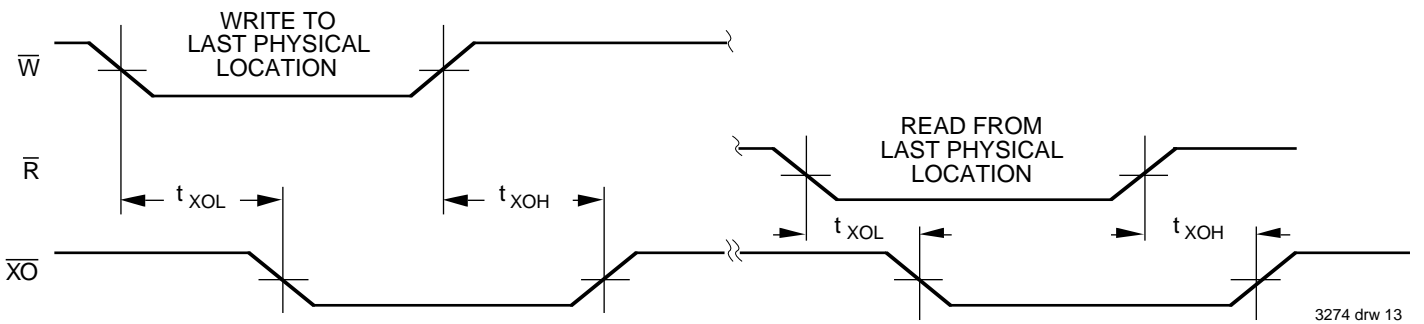


Figure 10. Expansion Out

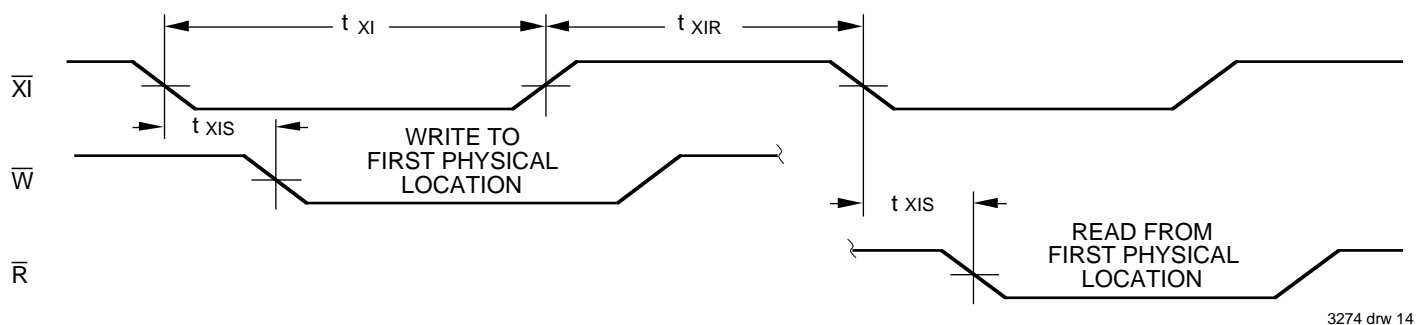


Figure 11. Expansion In

OPERATING MODES:

Care must be taken to assure that the appropriate flag is monitored by each system (i.e. \overline{FF} is monitored on the device where \overline{W} is used; \overline{EF} is monitored on the device where \overline{R} is used).

Single Device Mode

A single IDT7208 may be used when the application requirements are for 65,536 words or less. The IDT7208 is in a Single Device Configuration when the Expansion In ($\overline{X_I}$) control input is grounded (see Figure 12).

Depth Expansion

The IDT7208 can easily be adapted to applications when the requirements are for greater than 65,536 words. Figure 14 demonstrates Depth Expansion using three IDT7208s. Any depth can be attained by adding additional IDT7208s. The IDT7208 operates in the Depth Expansion mode when the following conditions are met:

1. The first device must be designated by grounding the First Load (\overline{FL}) control input.
2. All other devices must have \overline{FL} in the HIGH state.
3. The Expansion Out ($\overline{X_O}$) pin of each device must be tied to the Expansion In ($\overline{X_I}$) pin of the next device. See Figure 14.
4. External logic is needed to generate a composite Full Flag (\overline{FF}) and Empty Flag (\overline{EF}). This requires the ORing of all \overline{EF} s and ORing of all \overline{FF} s (i.e. all must be set to generate the correct composite \overline{FF} or \overline{EF}). See Figure 14.
5. The Retransmit (\overline{RT}) function and Half-Full Flag (\overline{HF}) are not available in the Depth Expansion Mode.

USAGE MODES:

Width Expansion

Word width may be increased simply by connecting the corresponding input control signals of multiple devices. Sta-

tus flags (\overline{EF} , \overline{FF} and \overline{HF}) can be detected from any one device. Figure 13 demonstrates an 18-bit word width by using two IDT7208s. Any word width can be attained by adding additional IDT7208s (Figure 13).

Bidirectional Operation

Applications which require data buffering between two systems (each system capable of Read and Write operations) can be achieved by pairing IDT7208s as shown in Figure 16. Both Depth Expansion and Width Expansion may be used in this mode.

Data Flow-Through

Two types of flow-through modes are permitted, a read flow-through and write flow-through mode. For the read flow-through mode (Figure 17), the FIFO permits a reading of a single word after writing one word of data into an empty FIFO. The data is enabled on the bus in ($t_{WEF} + t_A$) ns after the rising edge of \overline{W} , called the first write edge, and it remains on the bus until the \overline{R} line is raised from LOW-to-HIGH, after which the bus would go into a three-state mode after t_{RHZ} ns. The \overline{EF} line would have a pulse showing temporary deassertion and then would be asserted.

In the write flow-through mode (Figure 18), the FIFO permits the writing of a single word of data immediately after reading one word of data from a full FIFO. The \overline{R} line causes the \overline{FF} to be deasserted but the \overline{W} line being LOW causes it to be asserted again in anticipation of a new data word. On the rising edge of \overline{W} , the new word is loaded in the FIFO. The \overline{W} line must be toggled when \overline{FF} is not asserted to write new data in the FIFO and to increment the write pointer.

Compound Expansion

The two expansion techniques described above can be applied together in a straightforward manner to achieve large FIFO arrays (see Figure 15).

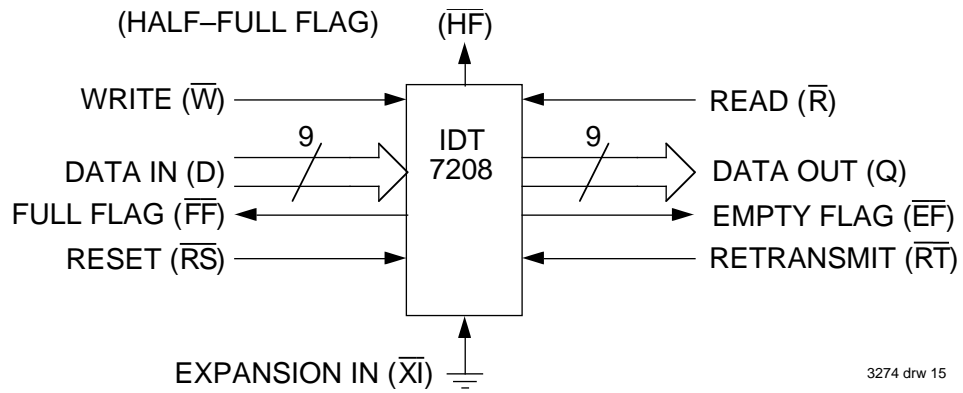
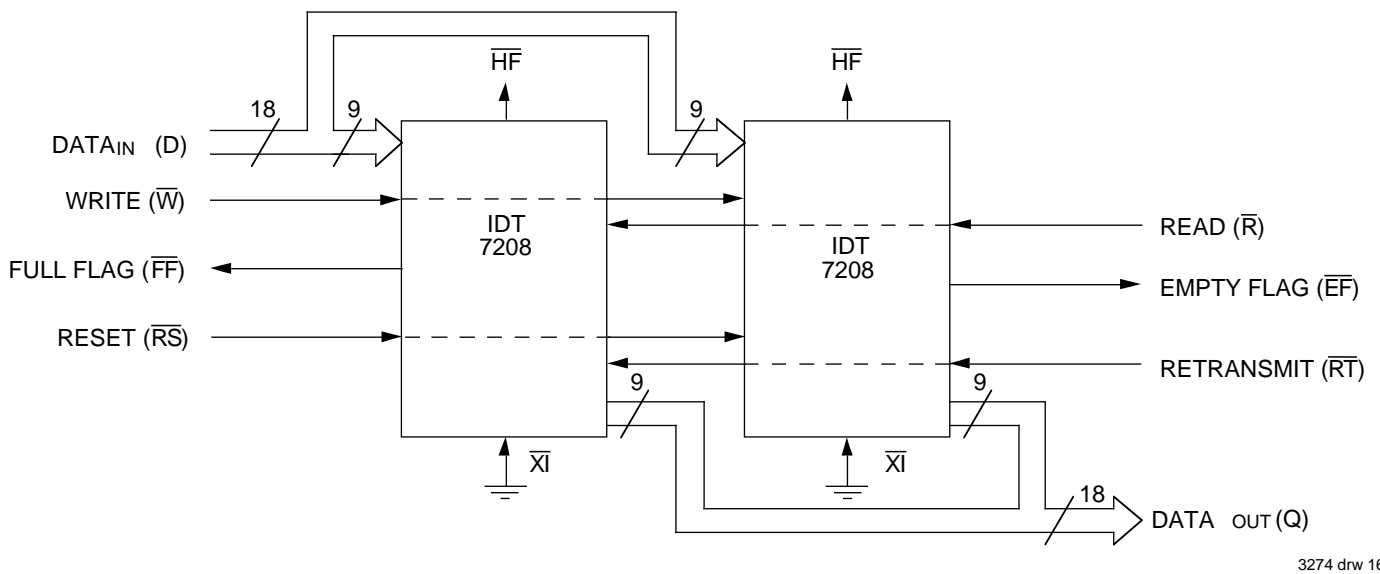


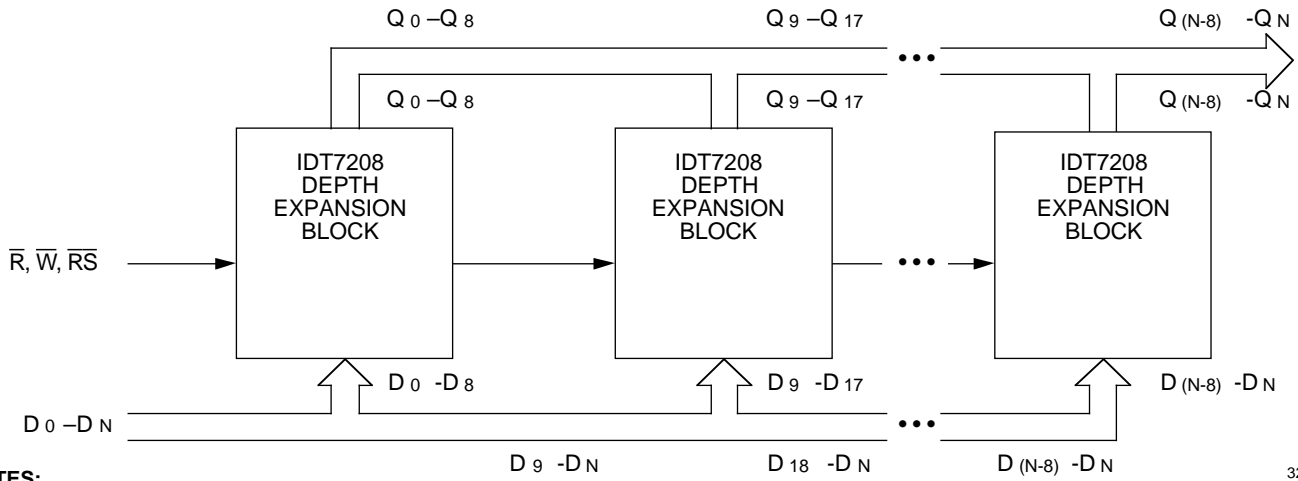
Figure 12. Block Diagram of 65,536 x 9 FIFO Used in Single Device Mode



NOTE:

1. Flag detection is accomplished by monitoring the \overline{FF} , \overline{EF} and \overline{HF} signals on either (any) device used in the width expansion configuration. Do not connect any output signals together.

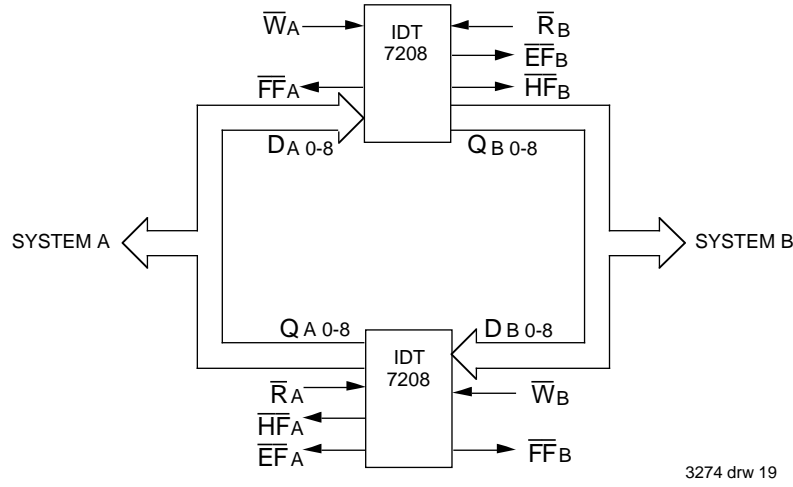
Figure 13. Block Diagram of 65,536 x 18 FIFO Memory Used in Width Expansion Mode



- NOTES:**
1. For depth expansion block see section on Depth Expansion and Figure 14.
 2. For Flag detection see section on Width Expansion and Figure 13.

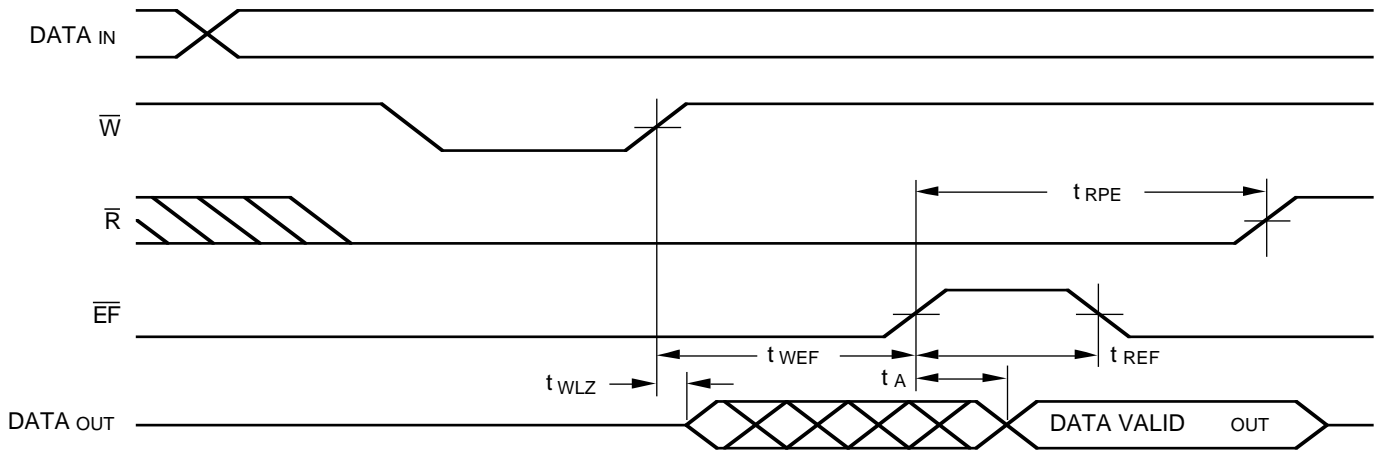
3274 drw 18

Figure 15. Compound FIFO Expansion



3274 drw 19

Figure 16. Bidirectional FIFO Operation



3274 drw 20

Figure 17. Read Data Flow-Through Mode

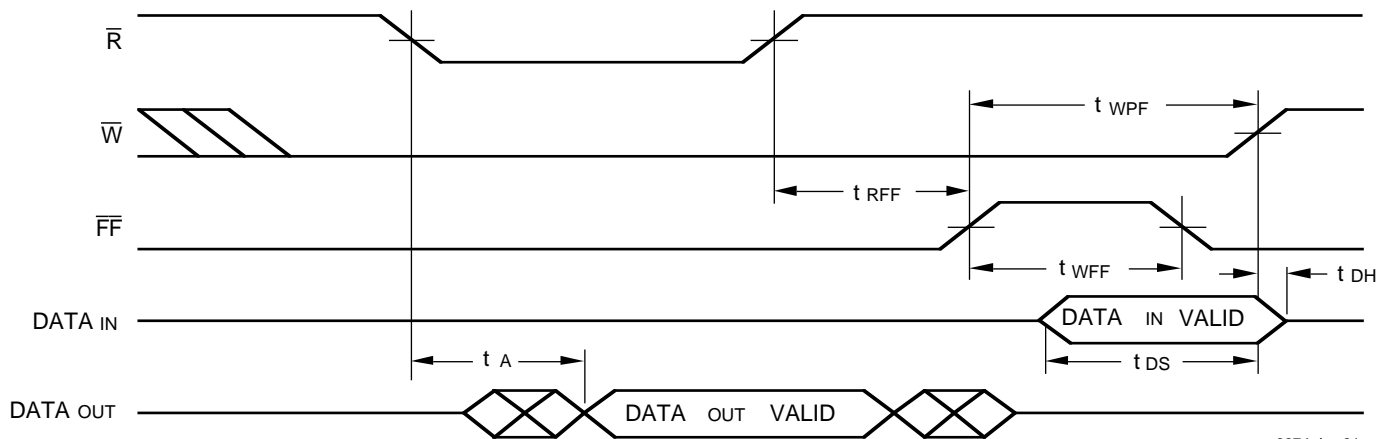


Figure 18. Write Data Flow-Through Mode

3274 drw 21

ORDERING INFORMATION

IDT	XXXX Device Type	X Power	XX Speed	X Package	X Process/ Temperature Range	
					Blank	Commercial (0°C to +70°C)
				P J		Plastic DIP Plastic Leaded Chip Carrier
			20 25 35			Commercial Only Commercial Only Commercial Only
		L				Low Power
				7208		65,536 x 9 FIFO

Access Time (t_A)
Speed in ns

3274 drw 22