



Integrated Device Technology, Inc.

CMOS DUAL ASYNCHRONOUS FIFO

DUAL 256 x 9, DUAL 512 x 9, DUAL 1024 x 9

IDT7280
IDT7281
IDT7282

FEATURES:

- The 7280 is equivalent to two 7200 256x9 FIFOs
- The 7281 is equivalent to two 7201 512x9 FIFOs
- The 7282 is equivalent to two 7202 1024x9 FIFOs
- Low power consumption
 - Active: 1540 mW (max.)
 - Power-down: 5.50 mW (max.)
- Ultra high speed—15 ns access time
- Asynchronous and simultaneous read and write
- Offers optimal combination of data capacity, small foot print and functional flexibility
- Ideal for bi-directional, width expansion, depth expansion, bus-matching, and data sorting applications
- Status Flags: Empty, Half-Full, Full
- Auto-retransmit capability
- High-performance CMOS technology
- Space-saving TSSOP
- Industrial temperature range (-40°C to +85°C) is available, tested to military electrical specifications

DESCRIPTION:

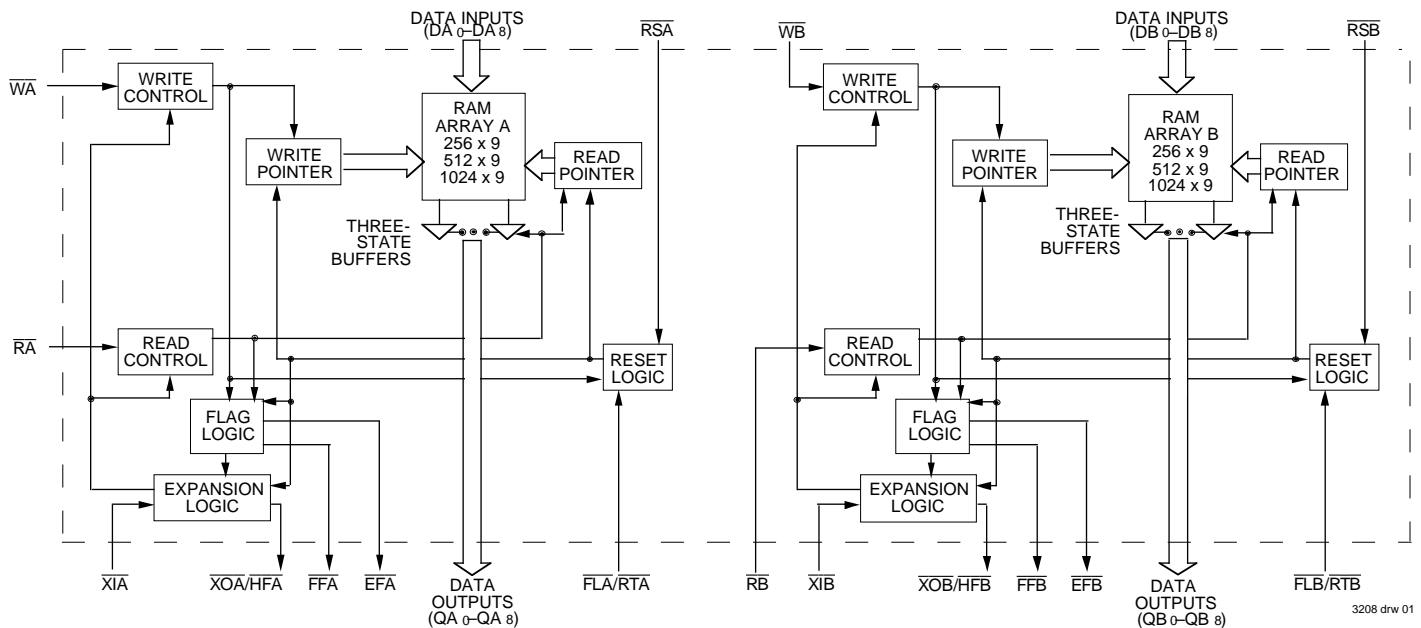
The IDT7280/7281/7282 are dual-FIFO memories that load and empty data on a first-in/first-out basis. These devices are functional and compatible to two 7200/7201/7202 FIFOs in a single package with all associated control, data, and flag lines assigned to separate pins. The devices use Full and Empty flags to prevent data overflow and underflow and expansion logic to allow for unlimited expansion capability in both word size and depth.

The reads and writes are internally sequential through the use of ring pointers, with no address information required to load and unload data. Data is toggled in and out of the devices through the use of the Write (\bar{W}) and Read (\bar{R}) pins.

The devices utilize a 9-bit wide data array to allow for control and parity bits at the user's option. This feature is especially useful in data communications applications where it is necessary to use a parity bit for transmission/reception error checking. It also features a Retransmit ($\bar{R}T$) capability that allows for reset of the read pointer to its initial position when $\bar{R}T$ is pulsed low to allow for retransmission from the beginning of data. A Half-Full Flag is available in the single device mode and width expansion modes.

The IDT7280/7281/7282 are fabricated using IDT's high-speed CMOS technology. They are designed for those applications requiring asynchronous and simultaneous read/writes in multiprocessing and rate buffer applications.

FUNCTIONAL BLOCK DIAGRAM



The IDT logo is a trademark of Integrated Device Technology, Inc.

COMMERCIAL TEMPERATURE RANGE

DECEMBER 1996

PIN CONFIGURATIONS

FFA	1	○	56	XIA
QA0	2		55	DA0
QA1	3		54	DA1
QA2	4		53	DA2
QA3	5		52	DA3
QA8	6		51	DA8
GND	7		50	WA
RA	8		49	Vcc
QA4	9		48	DA4
QA5	10		47	DA5
QA6	11		46	DA6
QA7	12		45	DA7
XOA/HFA	13		44	FLA/RTA
EFA	14		43	RSA
FFB	15		42	XIB
QB0	16		41	DB0
QB1	17		40	DB1
QB2	18		39	DB2
QB3	19		38	DB3
QB8	20		37	DB8
GND	21		36	WB
RB	22		35	Vcc
QB4	23		34	DB4
QB5	24		33	DB5
QB6	25		32	DB6
QB7	26		31	DB7
XOB/HFB	27		30	FLB/RTB
EFB	28		29	RSB

TSSOP
TOP VIEW

3208 drw 02

ABSOLUTE MAXIMUM RATINGS⁽¹⁾

Symbol	Rating	Com'l.	Unit
VTERM	Terminal Voltage with Respect to GND	-0.5 to +7.0	V
TA	Operating Temperature	0 to +70	°C
TBIAS	Temperature Under Bias	-55 to +125	°C
TSTG	Storage Temperature	-55 to +125	°C
IOUT	DC Output Current	50	mA

NOTE:

3208 tbl 01

- Stresses greater than those listed under ABSOLUTE MAXIMUM RATINGS may cause permanent damage to the device. This is a stress rating only and functional operation of the device at these or any other conditions above those indicated in the operational sections of this specification is not implied. Exposure to absolute maximum rating conditions for extended periods may affect reliability.

RECOMMENDED DC OPERATING CONDITIONS

Symbol	Parameter	Min.	Type	Max.	Unit
Vcc	Supply Voltage	4.5	5.0	5.5	V
GND	Supply Voltage	0	0	0	V
VIH ⁽¹⁾	Input High Voltage	2.0	—	—	V
VIL ⁽²⁾	Input Low Voltage	—	—	0.8	V

NOTE:

3208 tbl 03

- V_{IH} = 2.6V for X̄I input (commercial).
- 1.5V undershoots are allowed for 10ns once per cycle.

CAPACITANCE (TA = +25°C, f = 1.0 MHz)

Symbol	Parameter ⁽¹⁾	Condition	Max.	Unit
CIN	Input Capacitance	V _{IN} = 0V	8	pF
COUT	Output Capacitance	V _{OUT} = 0V	8	pF

NOTE:

2679 tbl 02

- This parameter is sampled and not 100% tested.

DC ELECTRICAL CHARACTERISTICS

(Commercial: Vcc = 5.0V±10%, TA = 0°C to +70°C)

Symbol	Parameter	IDT7280L IDT7281L IDT7282L Commercial t _A = 15, 20, 25 ns			Unit
		Min.	Typ.	Max.	
I _L ⁽¹⁾	Input Leakage Current (Any Input)	-1	—	1	μA
I _{LO} ⁽²⁾	Output Leakage Current	-10	—	10	μA
VOH	Output Logic "1" Voltage I _{OH} = -2mA	2.4	—	—	V
VOL	Output Logic "0" Voltage I _{OL} = 8mA	—	—	0.4	V
I _{CC1} ⁽³⁾	Active Power Supply Current	—	—	125 ⁽⁴⁾	mA
I _{CC2} ⁽³⁾	Standby Current (R̄=W̄=R̄S̄=FL̄/RT̄=VIH)	—	—	15	mA
I _{CC3(L)} ⁽³⁾	Power Down Current (All Input = Vcc - 0.2V)	—	—	0.5	mA

NOTES:

3208 tbl 05

- Measurements with 0.4 ≤ V_{IN} ≤ Vcc.
- R̄ ≥ V_{IH}, 0.4 ≤ V_{OUT} ≤ Vcc.
- I_{CC} measurements are made with outputs open (only capacitive loading).
- Tested at f = 20MHz.

AC ELECTRICAL CHARACTERISTICS⁽¹⁾

(Commercial: VCC = 5.0V±10%, TA = 0°C to +70°C)

Symbol	Parameter	Commercial						Unit
		7280L15 7281L15 7282L15		7280L20 7281L20 7282L20		7280L25 7281L25 7282L25		
		Min.	Max.	Min.	Max.	Min.	Max.	
ts	Shift Frequency	—	40	—	33.3	—	28.5	MHz
tRC	Read Cycle Time	25	—	30	—	35	—	ns
tA	Access Time	—	15	—	20	—	25	ns
tRR	Read Recovery Time	10	—	10	—	10	—	ns
tRPW	Read Pulse Width ⁽²⁾	15	—	20	—	25	—	ns
tRLZ	Read Pulse Low to Data Bus at Low Z ⁽³⁾	5	—	5	—	5	—	ns
tWLZ	Write Pulse High to Data Bus at Low Z ^(3, 4)	5	—	5	—	5	—	ns
tDV	Data Valid from Read Pulse High	5	—	5	—	5	—	ns
tRHZ	Read Pulse High to Data Bus at High Z ⁽³⁾	—	15	—	15	—	18	ns
tWC	Write Cycle Time	25	—	30	—	35	—	ns
tWPW	Write Pulse Width ⁽²⁾	15	—	20	—	25	—	ns
tWR	Write Recovery Time	10	—	10	—	10	—	ns
tDS	Data Set-up Time	11	—	12	—	15	—	ns
tDH	Data Hold Time	0	—	0	—	0	—	ns
tRSC	Reset Cycle Time	25	—	30	—	35	—	ns
tRS	Reset Pulse Width ⁽²⁾	15	—	20	—	25	—	ns
tRSS	Reset Set-up Time ⁽³⁾	15	—	20	—	25	—	ns
tRSR	Reset Recovery Time	10	—	10	—	10	—	ns
tRTC	Retransmit Cycle Time	25	—	30	—	35	—	ns
tRT	Retransmit Pulse Width ⁽²⁾	15	—	20	—	25	—	ns
tRTS	Retransmit Set-up Time ⁽³⁾	15	—	20	—	25	—	ns
tRTR	Retransmit Recovery Time	10	—	10	—	10	—	ns
tEFL	Reset to Empty Flag Low	—	25	—	30	—	35	ns
tHFH,FFH	Reset to Half-Full and Full Flag High	—	25	—	30	—	35	ns
tRTF	Retransmit Low to Flags Valid	—	25	—	30	—	35	ns
tREF	Read Low to Empty Flag Low	—	15	—	20	—	25	ns
tRFF	Read High to Full Flag High	—	15	—	20	—	25	ns
tRPE	Read Pulse Width after EF High	15	—	20	—	25	—	ns
tWEF	Write High to Empty Flag High	—	15	—	20	—	25	ns
tWFF	Write Low to Full Flag Low	—	15	—	20	—	25	ns
tWHF	Write Low to Half-Full Flag Low	—	25	—	30	—	35	ns
tRHF	Read High to Half-Full Flag High	—	25	—	30	—	35	ns
tWPF	Write Pulse Width after FF High	15	—	20	—	25	—	ns
tXOL	Read/Write to X̄O Low	—	15	—	20	—	25	ns
tXOH	Read/Write to X̄O High	—	15	—	20	—	25	ns
tXI	X̄I Pulse Width ⁽²⁾	15	—	20	—	25	—	ns
tXIR	X̄I Recovery Time	10	—	10	—	10	—	ns
tXIS	X̄I Set-up Time	10	—	10	—	10	—	ns

NOTES:

1. Timings referenced as in AC Test Conditions.
2. Pulse widths less than minimum value are not allowed.

3. Values guaranteed by design, not currently tested.
4. Only applies to read data flow-through mode.

3208 tbl 06

AC TEST CONDITIONS

Input Pulse Levels	GND to 3.0V
Input Rise/Fall Times	5ns
Input Timing Reference Levels	1.5V
Output Reference Levels	1.5V
Output Load	See Figure 1

3208 tbl 08

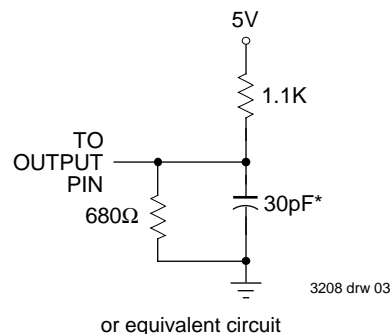


Figure 1. Output Load

* Includes scope and jig capacitances.

SIGNAL DESCRIPTIONS

INPUTS:

DATA IN (D₀ – D₈)

Data inputs for 9-bit wide data.

CONTROLS:

RESET (\overline{RS})

Reset is accomplished whenever the Reset (\overline{RS}) input is taken to a low state. During reset, both internal read and write pointers are set to the first location. A reset is required after power up before a write operation can take place. **Both the Read Enable (\overline{R}) and Write Enable (\overline{W}) inputs must be in the high state during the window shown in Figure 2, (i.e., t_{RSS} before the rising edge of \overline{RS}) and should not change until t_{RSR} after the rising edge of \overline{RS} . Half-Full Flag (\overline{HF}) will be reset to high after Reset (\overline{RS}).**

WRITE ENABLE (\overline{W})

A write cycle is initiated on the falling edge of this input if the Full Flag (\overline{FF}) is not set. Data set-up and hold times must be adhered to with respect to the rising edge of the Write Enable (\overline{W}). Data is stored in the RAM array sequentially and independently of any on-going read operation.

After half of the memory is filled and at the falling edge of the next write operation, the Half-Full Flag (\overline{HF}) will be set to low and will remain set until the difference between the write pointer and read pointer is less than or equal to one half of the total memory of the device. The Half-Full Flag (\overline{HF}) is then reset by the rising edge of the read operation.

To prevent data overflow, the Full Flag (\overline{FF}) will go low, inhibiting further write operations. Upon the completion of a valid read operation, the Full Flag (\overline{FF}) will go high after t_{RFF} , allowing a valid write to begin. When the FIFO is full, the internal write pointer is blocked from \overline{W} , so external changes in \overline{W} will not affect the FIFO when it is full.

READ ENABLE (\overline{R})

A read cycle is initiated on the falling edge of the Read Enable (\overline{R}) provided the Empty Flag (\overline{EF}) is not set. The data is accessed on a First-In/First-Out basis, independent of any ongoing write operations. After Read Enable (\overline{R}) goes high,

the Data Outputs (Q₀ – Q₈) will return to a high impedance condition until the next Read operation. When all data has been read from the FIFO, the Empty Flag (\overline{EF}) will go low, allowing the “final” read cycle but inhibiting further read operations with the data outputs remaining in a high impedance state. Once a valid write operation has been accomplished, the Empty Flag (\overline{EF}) will go high after t_{WEF} and a valid Read can then begin. When the FIFO is empty, the internal read pointer is blocked from \overline{R} so external changes in \overline{R} will not affect the FIFO when it is empty.

FIRST LOAD/RETRANSMIT ($\overline{FL/RT}$)

This is a dual-purpose input. In the Depth Expansion Mode, this pin is grounded to indicate that it is the first loaded (see Operating Modes). In the Single Device Mode, this pin acts as the retransmit input. The Single Device Mode is initiated by grounding the Expansion In (\overline{XI}).

The IDT7280/7281/7282 can be made to retransmit data when the Retransmit Enable control (\overline{RT}) input is pulsed low. A retransmit operation will set the internal read pointer to the first location and will not affect the write pointer. Read Enable (\overline{R}) and Write Enable (\overline{W}) must be in the high state during retransmit. This feature is useful when less than 256/512/1024 writes are performed between resets. The retransmit feature is not compatible with the Depth Expansion Mode and will affect the Half-Full Flag (\overline{HF}), depending on the relative locations of the read and write pointers.

EXPANSION IN (\overline{XI})

This input is a dual-purpose pin. Expansion In (\overline{XI}) is grounded to indicate an operation in the single device mode. Expansion In (\overline{XI}) is connected to Expansion Out (\overline{XO}) of the previous device in the Depth Expansion or Daisy Chain Mode.

OUTPUTS:

FULL FLAG (\overline{FF})

The Full Flag (\overline{FF}) will go low, inhibiting further write operation, when the write pointer is one location less than the read pointer, indicating that the device is full. If the read pointer is not moved after Reset (\overline{RS}), the Full-Flag (\overline{FF}) will go low after 256 writes for IDT7280, 512 writes for the IDT7281 and 1024 writes for the IDT7282.

EMPTY FLAG (\overline{EF})

The Empty Flag (\overline{EF}) will go low, inhibiting further read operations, when the read pointer is equal to the write pointer, indicating that the device is empty.

EXPANSION OUT/HALF-FULL FLAG ($\overline{XO}/\overline{HF}$)

This is a dual-purpose output. In the single device mode, when Expansion In (\overline{XI}) is grounded, this output acts as an indication of a half-full memory.

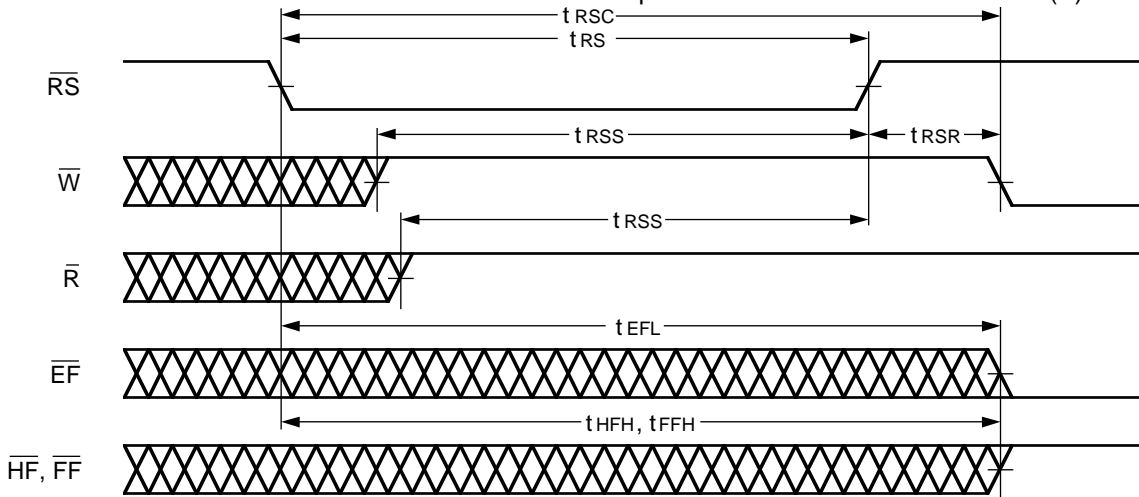
After half of the memory is filled and at the falling edge of

the next write operation, the Half-Full Flag (\overline{HF}) will be set low and will remain set until the difference between the write pointer and read pointer is less than or equal to one half of the total memory of the device. The Half-Full Flag (\overline{HF}) is then reset by using rising edge of the read operation.

In the Depth Expansion Mode, Expansion In (\overline{XI}) is connected to Expansion Out (\overline{XO}) of the previous device. This output acts as a signal to the next device in the Daisy Chain by providing a pulse to the next device when the previous device reaches the last location of memory.

DATA OUTPUTS ($Q_0 - Q_8$)

Data outputs for 9-bit wide data. This data is in a high impedance condition whenever Read (\overline{R}) is in a high state.

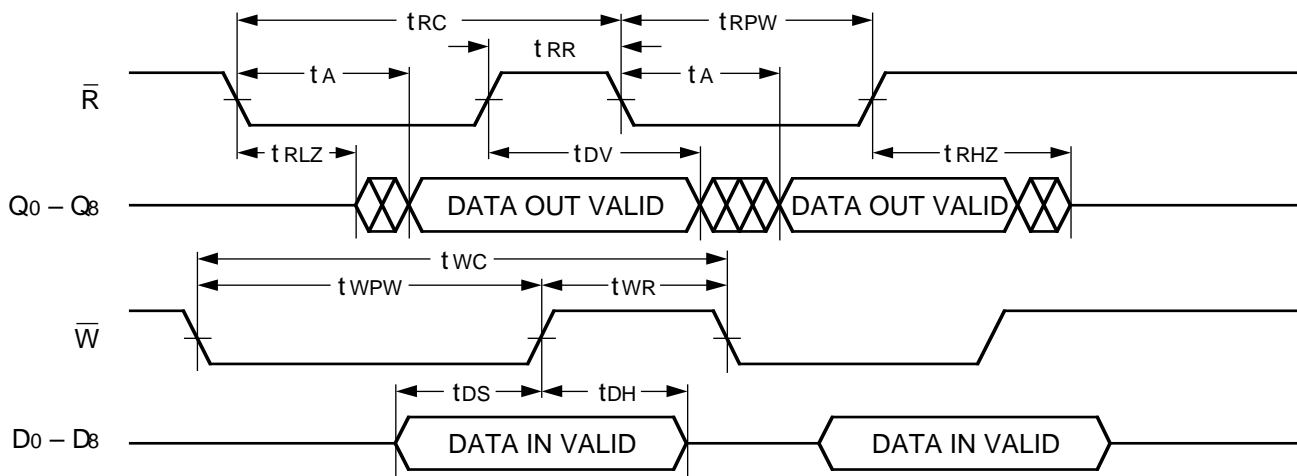


3208 drw 04

NOTES:

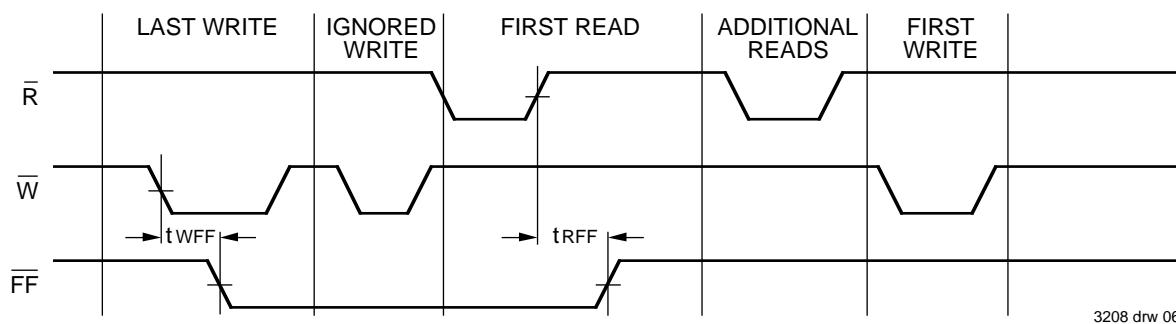
- $\overline{EF}, \overline{FF}, \overline{HF}$ may change status during Reset, but flags will be valid at t_{RSC} .
- \overline{W} and $\overline{R} = V_{IH}$ around the rising edge of \overline{RS} .

Figure 2. Reset



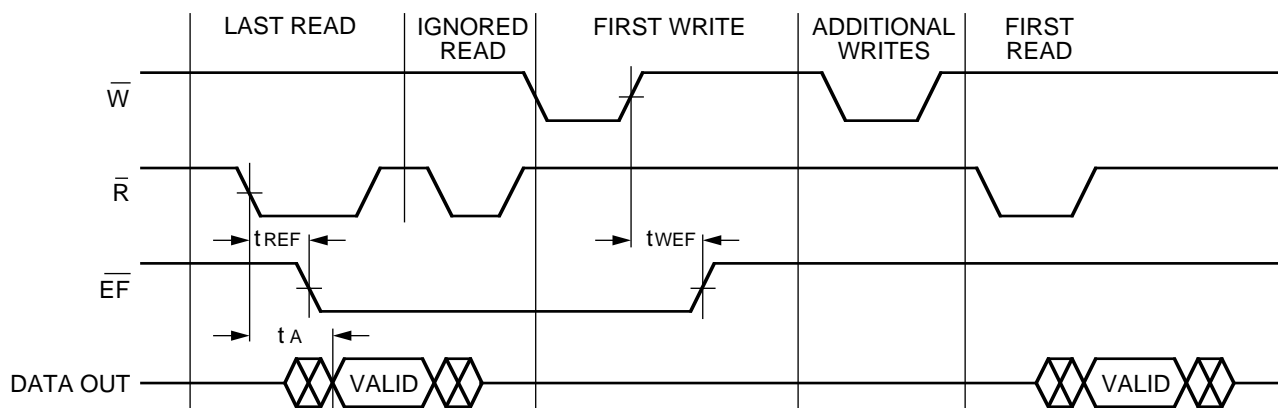
3208 drw 05

Figure 3. Asynchronous Write and Read Operation



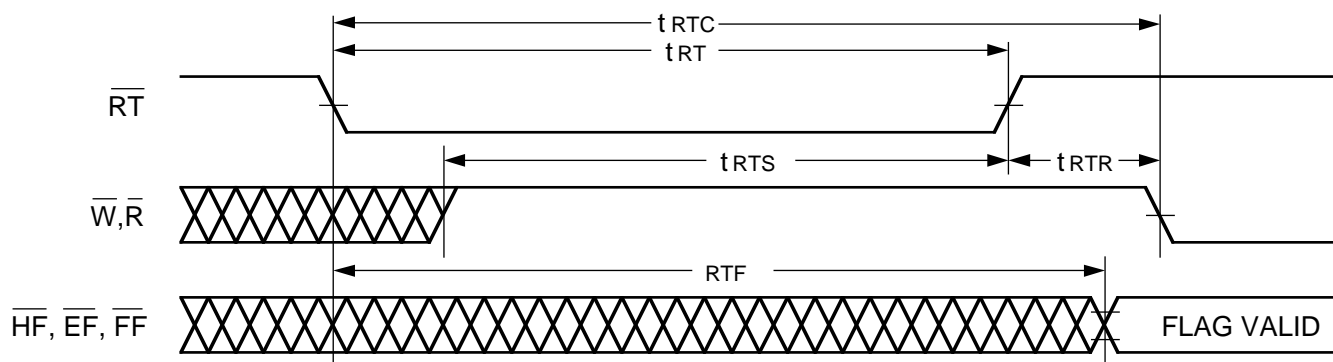
3208 drw 06

Figure 4. Full Flag From Last Write to First Read



3208 drw 07

Figure 5. Empty Flag From Last Read to First Write



3208 drw 08

Figure 6. Retransmit



Figure 7. Minimum Timing for an Empty Flag Coincident Read Pulse

3208 drw 09



Figure 8. Minimum Timing for a Full Flag Coincident Write Pulse

3208 drw 10

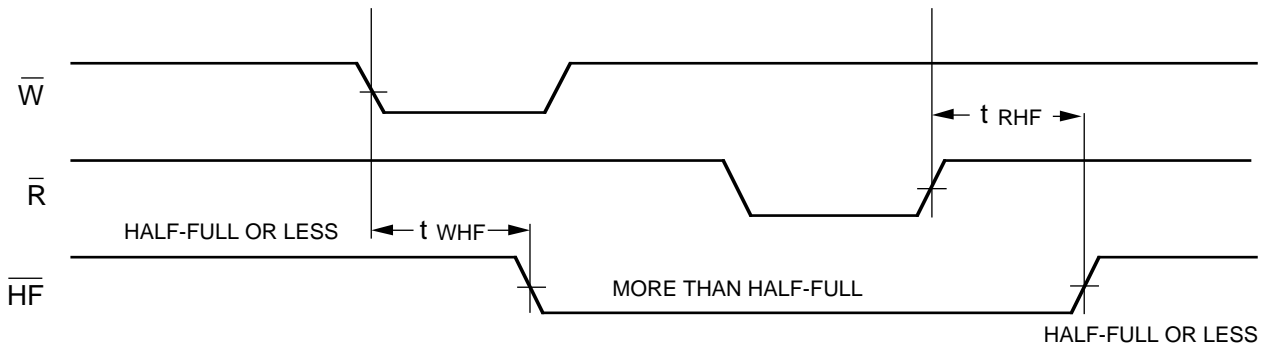


Figure 9. Half-Full Flag Timing

3208 drw 11a

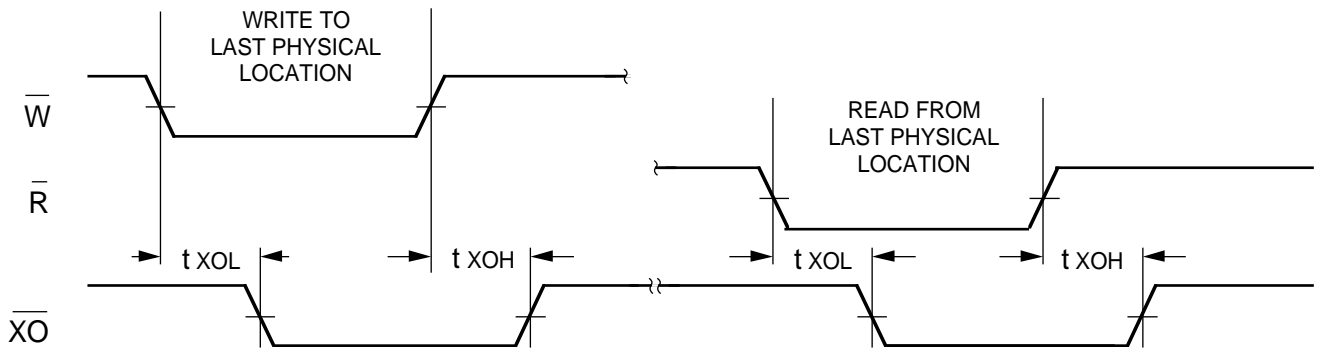


Figure 10. Expansion Out

3208 drw 10b

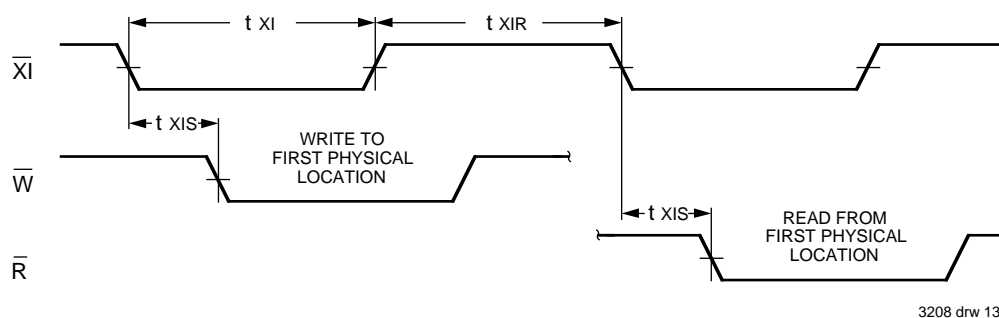


Figure 11. Expansion In

3208 drw 13

OPERATING MODES:

Care must be taken to assure that the appropriate flag is monitored by each system (i.e. \overline{FF} is monitored on the device where \overline{W} is used; \overline{EF} is monitored on the device where \overline{R} is used).

Single Device Mode

A single IDT7280/7281/7282 may be used when the application requirements are for 256/512/1024 words or less. The IDT7280/7281/7282 is in a Single Device Configuration when the Expansion In ($\overline{X_I}$) control input is grounded (see Figure 12).

Depth Expansion

The IDT7280/7281/7282 can easily be adapted to applications when the requirements are for greater than 256/512/1024 words. Figure 14 demonstrates a four-FIFO Depth Expansion using two IDT7280/7281/7282s. Any depth can be attained by adding additional IDT7280/7281/7282s. The IDT7280/7281/7282 operates in the Depth Expansion mode when the following conditions are met:

1. The first FIFO must be designated by grounding the First Load (\overline{FL}) control input.
2. All other FIFOs must have \overline{FL} in the high state.
3. The Expansion Out ($\overline{X_O}$) pin of each device must be tied to the Expansion In ($\overline{X_I}$) pin of the next device. See Figure 14.
4. External logic is needed to generate a composite Full Flag (\overline{FF}) and Empty Flag (\overline{EF}). This requires the ORing of all \overline{EF} s and ORing of all \overline{FF} s (i.e. all must be set to generate the correct composite \overline{FF} or \overline{EF}). See Figure 14.
5. The Retransmit (\overline{RT}) function and Half-Full Flag (\overline{HF}) are not available in the Depth Expansion Mode.

USAGE MODES:

Width Expansion

Word width may be increased simply by connecting the corresponding input control signals of multiple FIFOs. Status

flags (\overline{EF} , \overline{FF} and \overline{HF}) can be detected from any one FIFO. Figure 13 demonstrates an 18-bit word width by using the two FIFOs contained in the IDT7280/7281/7282s. Any word width can be attained by adding FIFOs (Figure 13).

Bidirectional Operation

Applications which require data buffering between two systems (each system capable of Read and Write operations) can be achieved by pairing IDT7280/7281/7282s as shown in Figure 16. Both Depth Expansion and Width Expansion may be used in this mode.

Data Flow-Through

Two types of flow-through modes are permitted, a read flow-through and write flow-through mode. For the read flow-through mode (Figure 17), the FIFO permits a reading of a single word after writing one word of data into an empty FIFO. The data is enabled on the bus in ($t_{WEF} + t_A$) ns after the rising edge of \overline{W} , called the first write edge, and it remains on the bus until the \overline{R} line is raised from low-to-high, after which the bus would go into a three-state mode after t_{RHZ} ns. The \overline{EF} line would have a pulse showing temporary deassertion and then would be asserted.

In the write flow-through mode (Figure 18), the FIFO permits the writing of a single word of data immediately after reading one word of data from a full FIFO. The \overline{R} line causes the \overline{FF} to be deasserted but the \overline{W} line being low causes it to be asserted again in anticipation of a new data word. On the rising edge of \overline{W} , the new word is loaded in the FIFO. The \overline{W} line must be toggled when \overline{FF} is not asserted to write new data in the FIFO and to increment the write pointer.

Compound Expansion

The two expansion techniques described above can be applied together in a straightforward manner to achieve large FIFO arrays (see Figure 15).

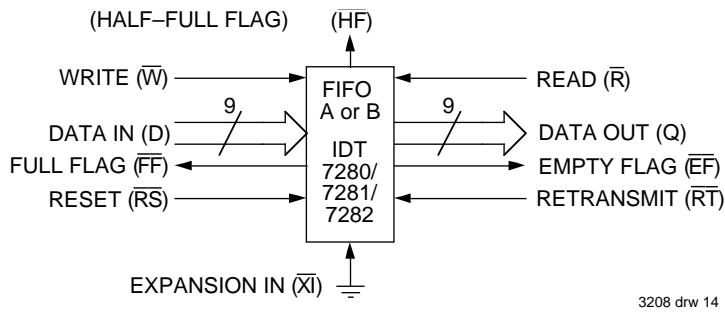


Figure 12. Block Diagram of One 256/512/1024 x 9 FIFO Used in Single Device Mode

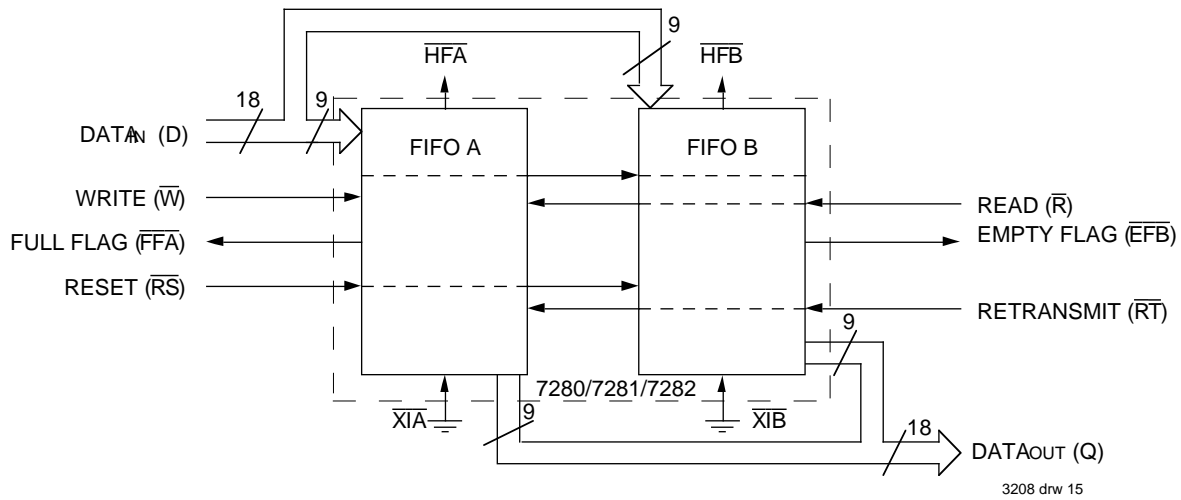


Figure 13. Block Diagram of 256/512/1024 x 18 FIFO Memory Used in Width Expansion Mode

TABLE I—RESET AND RETRANSMIT

Single Device Configuration/Width Expansion Mode

Mode	Inputs			Internal Status		Outputs		
	RS-bar	RT-bar	XI-bar	Read Pointer	Write Pointer	EF-bar	FF-bar	HF-bar
Reset	0	X	0	Location Zero	Location Zero	0	1	1
Retransmit	1	0	0	Location Zero	Unchanged	X	X	X
Read/Write	1	1	0	Increment ⁽¹⁾	Increment ⁽¹⁾	X	X	X

NOTE:

1. Pointer will increment if flag is High.

2679 tbl 09

TABLE II—RESET AND FIRST LOAD TRUTH TABLE

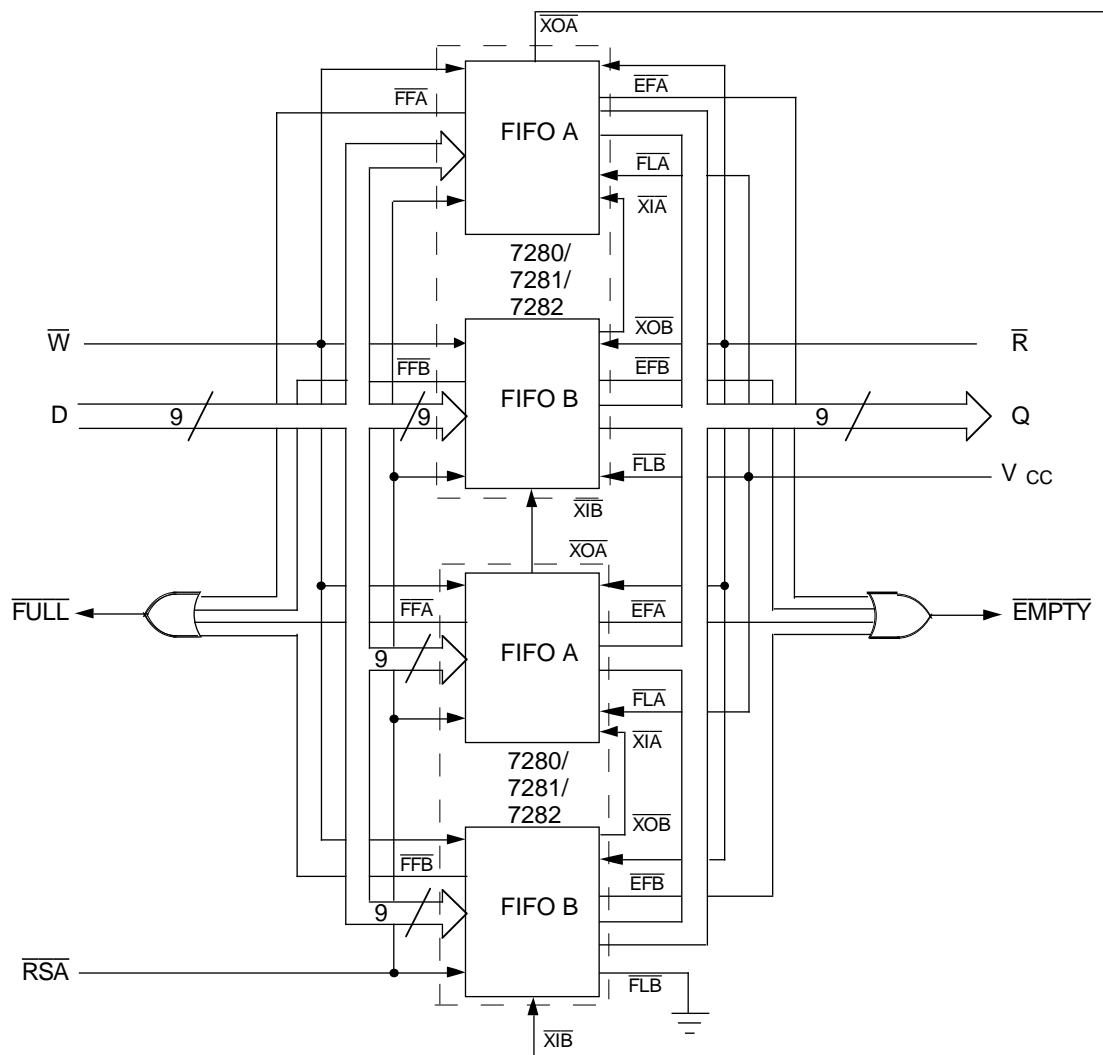
Depth Expansion/Compound Expansion Mode

Mode	Inputs			Internal Status		Outputs	
	RS-bar	FL-bar/RT-bar	XI-bar	Read Pointer	Write Pointer	EF-bar	FF-bar
Reset First Device	0	0	(1)	Location Zero	Location Zero	0	1
Reset All Other Devices	0	1	(1)	Location Zero	Location Zero	0	1
Read/Write	1	X	(1)	X	X	X	X

NOTE:

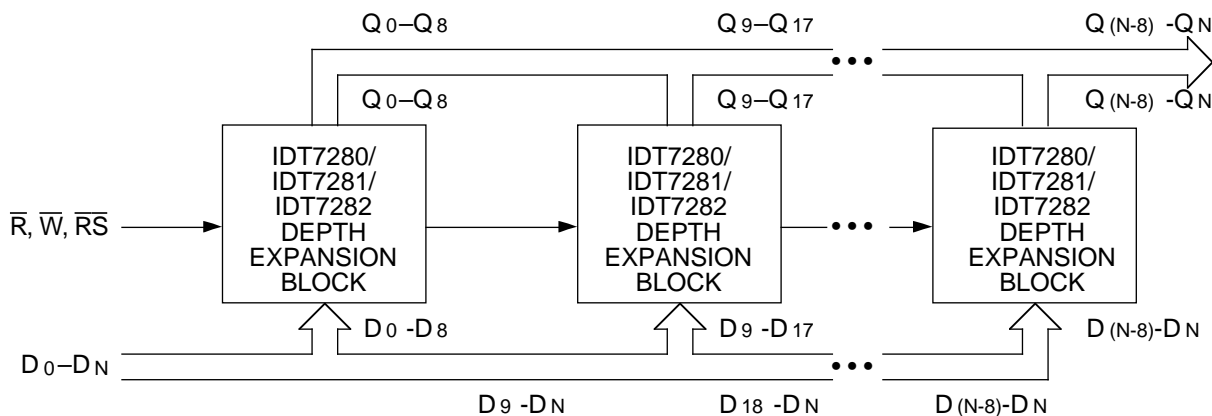
1. XI-bar is connected to X0-bar of previous device. See Figure 14. RS-bar = Reset Input, FL-bar/RT-bar = First Load/Retransmit, EF-bar = Empty Flag Output, FF-bar = Flag Full Output, XI-bar = Expansion Input, HF-bar = Half-Full Flag Output

2679 tbl 10



3208 drw 16

Figure 14. Block Diagram of 1024 x 9/2048 x 9/4096 x 9 FIFO Memory (Depth Expansion)



3208 drw 17

Figure 15. Compound FIFO Expansion

NOTES:

1. For depth expansion block see section on Depth Expansion and Figure 14.
2. For Flag detection see section on Width Expansion and Figure 13.

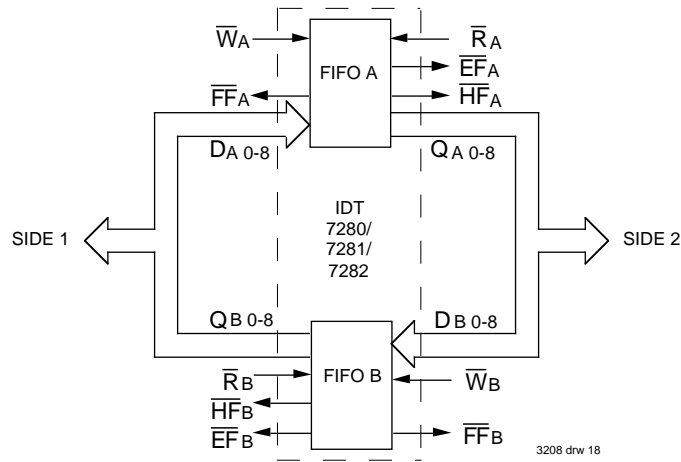


Figure 16. Bidirectional FIFO Mode

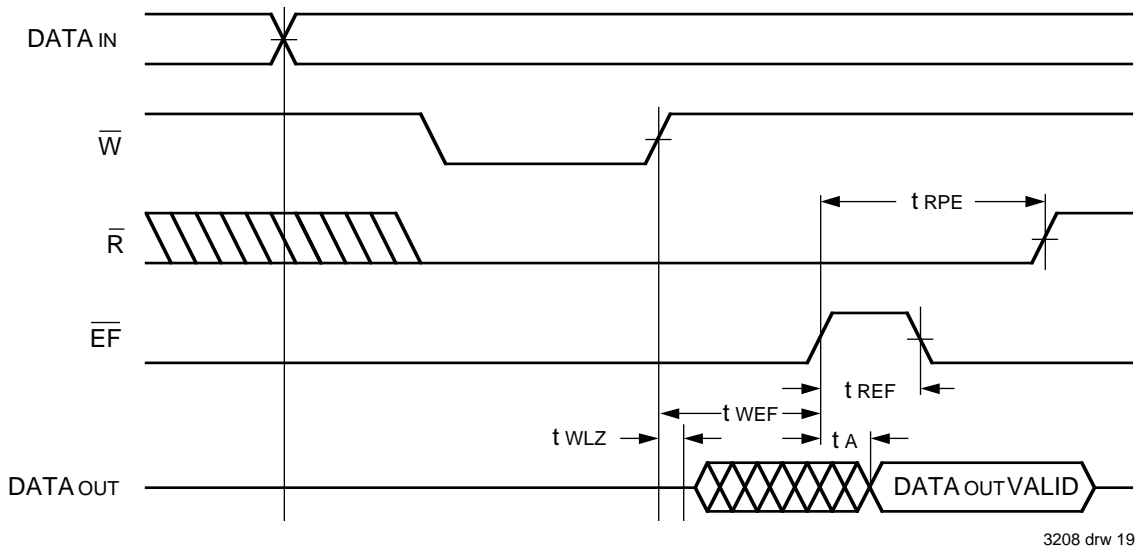


Figure 17. Read Data Flow-Through Mode

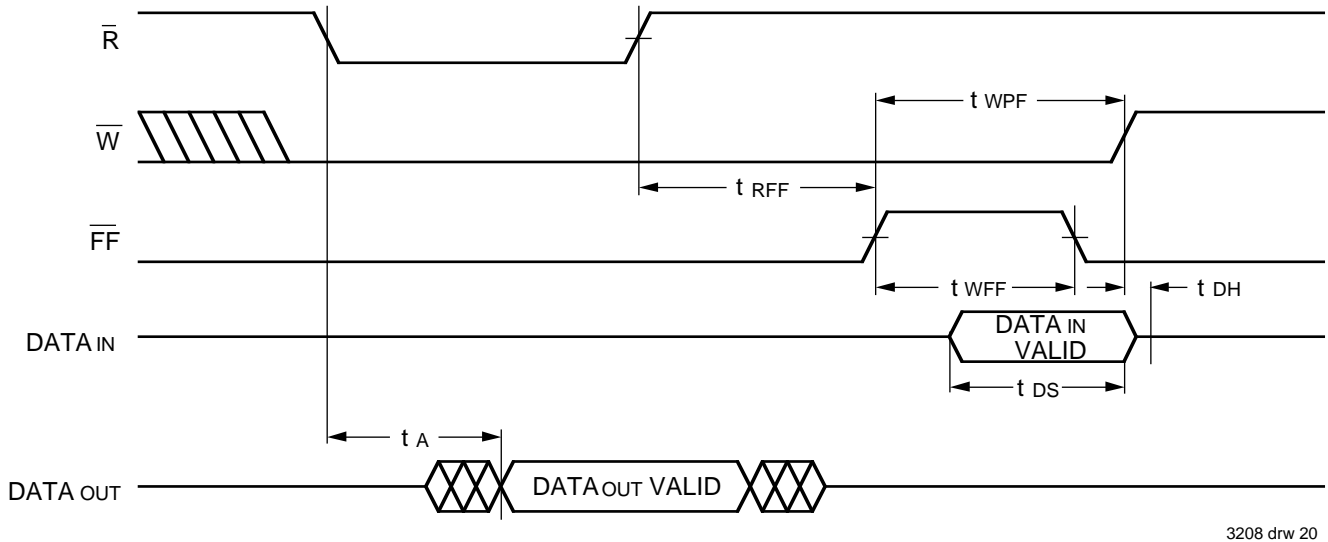
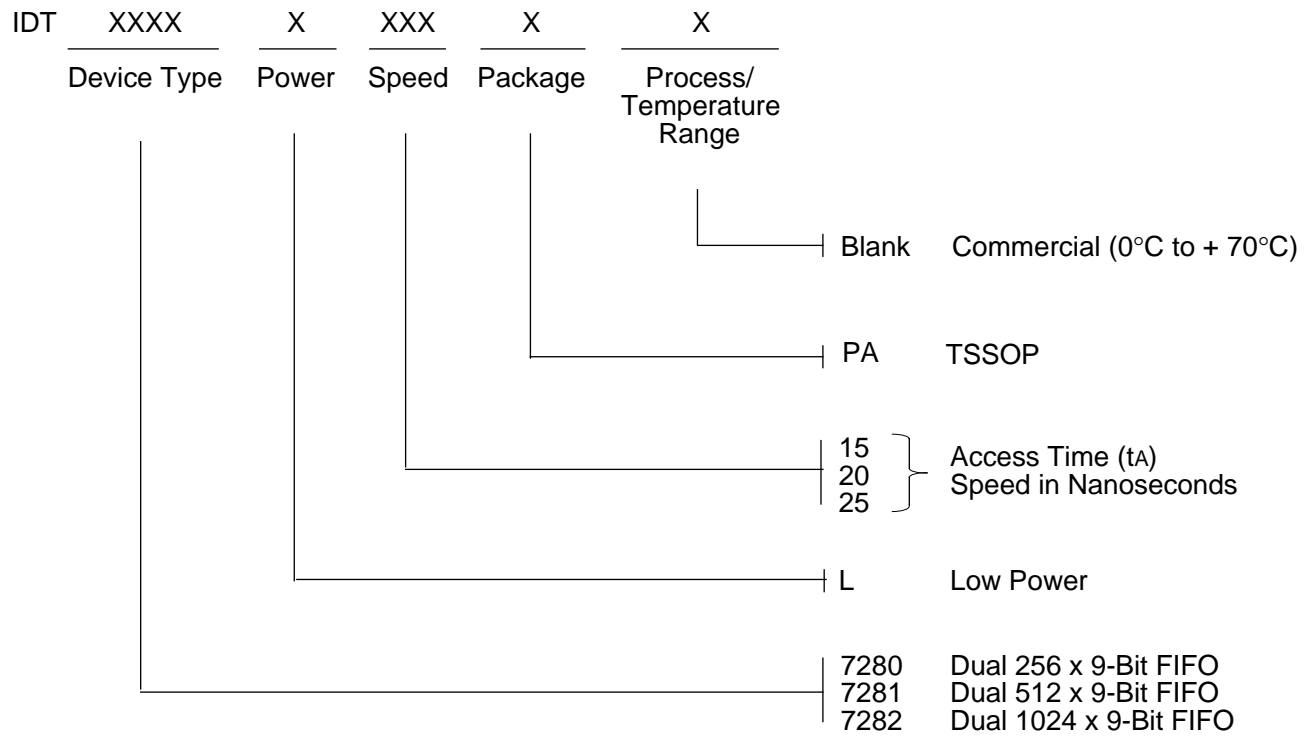


Figure 18. Write Data Flow-Through Mode

ORDERING INFORMATION



3208 drw 21