

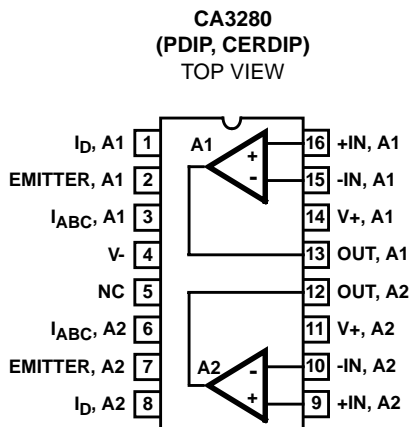
Dual, 9MHz, Operational Transconductance Amplifier (OTA)

The CA3280 and CA3280A types consist of two variable operational amplifiers that are designed to substantially reduce the initial input offset voltage and the offset voltage variation with respect to changes in programming current. This design results in reduced "AGC thump," an objectionable characteristic of many AGC systems. Interdigitation, or crosscoupling, of critical portions of the circuit reduces the amplifier dependence upon thermal and processing variables.

The CA3280 has all the generic characteristics of an operational voltage amplifier except that the forward transfer characteristics is best described by transconductance rather than voltage gain, and the output is current, not voltage. The magnitude of the output current is equal to the product of transconductance and the input voltage. This type of operational transconductance amplifier was first introduced in 1969, and it has since gained wide acceptance as a gateable, gain controlled building block for instrumentation and audio applications, such as linearization of transducer outputs, standardization of widely changing signals for data processing, multiplexing, instrumentation amplifiers operating from the nanowatt range to high current and high speed comparators.

For additional application information on this device and on OTAs in general, please refer to Application Notes: AN6818, AN6668, and AN6077.

Pinout



Features

- Low Initial Input Offset Voltage: 500µV (Max) (CA3280A)
- Low Offset Voltage Change vs I_{ABC}: <500µV (Typ) for All Types
- Low Offset Voltage Drift: 5µV/°C (Max) (CA3280A)
- Excellent Matching of the Two Amplifiers for All Characteristics
- Internal Current-Driven Linearizing Diodes Reduce the External Input Current to an Offset Component
- Flexible Supply Voltage Range. ±2V to ±15V

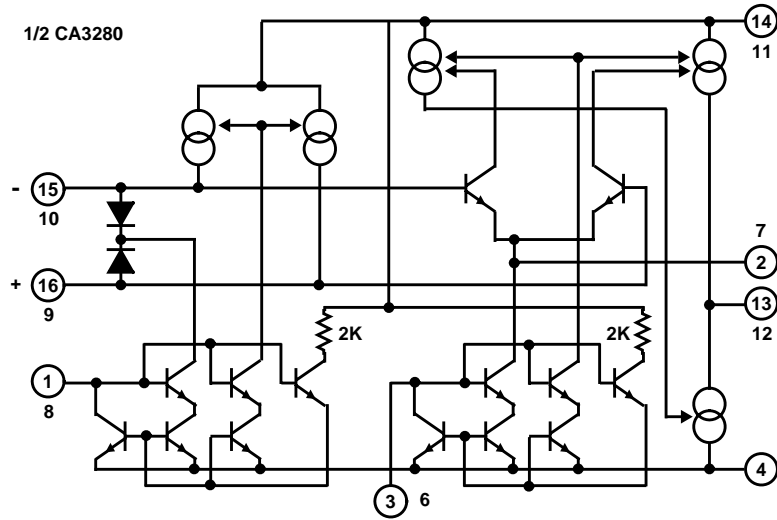
Applications

- Voltage Controlled Amplifiers
- Voltage Controlled Oscillators
- Multipliers
- Demodulators
- Sample and Hold
- Instrumentation Amplifiers
- Function Generators
- Triangle Wave-to-Sine Wave Converters
- Comparators
- Audio Preamplifier

Ordering Information

PART NUMBER	TEMP. RANGE (°C)	PACKAGE	PKG. NO.
CA3280AE	-55 to 125	16 Ld PDIP	E16.3
CA3280E	0 to 70	16 Ld PDIP	E16.3
CA3280AF3	-55 to 125	16 Ld CERDIP	F16.3

Functional Diagram



CA3280, CA3280A

Absolute Maximum Ratings

Supply Voltage (Between V+ and V-)	+36V
Differential Input Voltage	5V
Input Voltage Range	V+ to V-
Input Current at $I_D = 0$	100 μ A
Amplifier Bias Current (I_{ABC})	10mA
Output Short Circuit Duration (Note 1)	Indefinite
Linearizing Diode Bias Current, I_D	5mA
Peak Input Current with Linearizing Diode	$\pm I_D$

Thermal Information

Thermal Resistance (Typical, Note 2)	θ_{JA} ($^{\circ}$ C/W)	θ_{JC} ($^{\circ}$ C/W)
CERDIP Package	65	16
PDIP Package	100	N/A
Maximum Junction Temperature (CERDIP Package)	175 $^{\circ}$ C	
Maximum Junction Temperature (Plastic Package)	150 $^{\circ}$ C	
Maximum Storage Temperature Range	-65 $^{\circ}$ C to 150 $^{\circ}$ C	
Maximum Lead Temperature (Soldering 10s)	300 $^{\circ}$ C	

Operating Conditions

Temperature Range	
CA3280	0 $^{\circ}$ C to 70 $^{\circ}$ C
CA3280A	-55 $^{\circ}$ C to 125 $^{\circ}$ C
Supply Voltage Range (Typ)	± 2 V to ± 15 V

CAUTION: Stresses above those listed in "Absolute Maximum Ratings" may cause permanent damage to the device. This is a stress only rating and operation of the device at these or any other conditions above those indicated in the operational sections of this specification is not implied.

NOTES:

- Short circuit may be applied to ground or to either supply.
- θ_{JA} is measured with the component mounted on an evaluation PC board in free air.

Electrical Specifications For Equipment Design, at $T_A = 25^{\circ}$ C, $V_{SUPPLY} = \pm 15$ V, Unless Otherwise Specified

PARAMETER	SYMBOL	TEST CONDITIONS	CA3280			CA3280A			UNITS	
			MIN	TYP	MAX	MIN	TYP	MAX		
Input Offset Voltage	V_{IO}	$I_{ABC} = 1\text{mA}$	-	-	3	-	-	0.5	mV	
		$I_{ABC} = 100\mu\text{A}$	-	0.7	3	-	0.25	0.5	mV	
		$I_{ABC} = 10\mu\text{A}$	-	-	3	-	-	0.5	mV	
		$I_{ABC} = 1\text{mA}$ to $10\mu\text{A}$, $T_A = \text{Full Temp. Range}$	-	0.8	4	-	0.8	1.5	mV	
Input Offset Voltage Drift	$ \Delta V_{IO} $	$I_{ABC} = 1\mu\text{A}$ to 1mA	-	0.5	1	-	0.5	1	mV	
		$I_{ABC} = 100\mu\text{A}$, $T_A = \text{Full Temperature Range}$	-	5	-	-	3	5	$\mu\text{V}/^{\circ}\text{C}$	
Amplifier Bias Voltage	V_{ABC}	$I_{ABC} = 100\mu\text{A}$	-	1.2	-	-	1.2	-	V	
Peak Output Voltage	V_{OM+}	$I_{ABC} = 500\text{mA}$	12	13.7	-	12.5	13.7	-	V	
	V_{OM-}		12	-14.3	-	-13.3	-14.3	-	V	
	V_{OM+}	$I_{ABC} = 5\mu\text{A}$	12	13.9	-	12.5	13.9	-	V	
	V_{OM-}		12	-14.5	-	-13.5	-14.5	-	V	
Common Mode Input Voltage Range	V_{ICR}	$I_{ABC} = 100\mu\text{A}$	-13	-	13	-13	-	13	V	
Noise Voltage	e_N	$I_{ABC} = 500\mu\text{A}$	10Hz	-	20	-	-	20	-	$\text{nV}/\sqrt{\text{Hz}}$
			1kHz	-	8	-	-	8	-	$\text{nV}/\sqrt{\text{Hz}}$
			10kHz	-	7	-	-	7	-	$\text{nV}/\sqrt{\text{Hz}}$
Input Offset Current	I_{IO}	$I_{ABC} = 500\mu\text{A}$	-Z	0.3	0.7	-	0.3	0.7	μA	
Input Bias Current	I_{IB}	$I_{ABC} = 500\mu\text{A}$	-	1.8	5	-	1.8	5	μA	
		$I_{ABC} = 500\mu\text{A}$, $T_A = \text{Full Temperature Range}$	-	3	8	-	3	8	μA	
Peak Output Current	I_{OM+}	$I_{ABC} = 500\mu\text{A}$	Source	350	410	650	350	410	650	μA
	I_{OM-}		Sink	-350	-410	-650	-350	-410	-650	μA
	I_{OM+}	$I_{ABC} = 5\mu\text{A}$	Source	3	4.1	7	3	4.1	7	μA
	I_{OM-}		Sink	-3	-4.1	-7	-3	-4.1	-7	μA

CA3280, CA3280A

Electrical Specifications For Equipment Design, at $T_A = 25^\circ\text{C}$, $V_{\text{SUPPLY}} = \pm 15\text{V}$, Unless Otherwise Specified (Continued)

PARAMETER	SYMBOL	TEST CONDITIONS	CA3280			CA3280A			UNITS	
			MIN	TYP	MAX	MIN	TYP	MAX		
Peak Output Current Sink and Source	I_{OM^-} , I_{OM^+}	$I_{\text{ABC}} = 500\mu\text{A}$, $T_A = \text{Full Temperature Range}$	350	450	550	350	450	550	μA	
Linearization Diodes		$I_D = 100\mu\text{A}$	-	10	-	-	10	-	μA	
Offset Current		$I_D = 10\mu\text{A}$	-	0.5	1	-	0.5	1	μA	
Dynamic Impedance		$I_D = 100\mu\text{A}$	-	700	-	-	700	-	Ω	
Diode Network Supply Current		$I_{\text{ABC}} = 100\mu\text{A}$	250	400	800	250	400	800	μA	
Amplifier Supply Current (Per Amplifier)	I^+	$I_{\text{ABC}} = 500\mu\text{A}$	-	2	2.4	-	2	2.4	mA	
Amplifier Output Leakage Current	I_{OL}	$I_{\text{ABC}} = 0$, $V_O = 0\text{V}$	-	0.015	0.1	-	0.015	0.1	nA	
		$I_{\text{ABC}} = 0$, $V_O = 30\text{V}$	-	0.15	1	-	0.15	1	nA	
Common Mode Rejection Ratio	CMRR	$I_{\text{ABC}} = 100\mu\text{A}$	80	100	-	94	100	-	dB	
Power Supply Rejection Ratio	PSRR	$I_{\text{ABC}} = 100\mu\text{A}$	86	105	-	94	105	-	dB	
Open Loop Voltage Gain	A_{OL}	$I_{\text{ABC}} = 100\mu\text{A}$, $R_L = \infty$, $V_O = 20\text{V}_{\text{P-P}}$	94	100	-	94	100	-	dB	
			50	100	-	50	100	-	kV/V	
Forward Transconductance	G_M	$I_{\text{ABC}} = 50\mu\text{A}$, Large Signal	-	0.8	1.2	-	0.8	1.2	mS	
	g_M	$I_{\text{ABC}} = 1\text{mA}$, Small Signal	-	16	22	-	16	22	mS	
Input Resistance	R_I	$I_{\text{ABC}} = 10\mu\text{A}$	0.5	-	-	0.5	-	-	$\text{M}\Omega$	
Channel Separation		$f = 1\text{kHz}$	-	94	-	-	94	-	dB	
Open Loop Total Harmonic Distortion	THD	$f = 1\text{kHz}$, $I_{\text{ABC}} = 1.5\text{mA}$, $R_L = 15\text{k}\Omega$, $V_O = 20\text{V}_{\text{P-P}}$	-	0.4	-	-	0.4	-	$\%$	
Bandwidth	f_T	$I_{\text{ABC}} = 1\text{mA}$, $R_L = 100\Omega$	-	9	-	-	9	-	MHz	
Slew Rate, Open Loop	SR	$I_{\text{ABC}} = 1\text{mA}$	-	125	-	-	125	-	$\text{V}/\mu\text{s}$	
Capacitance	C_I	$I_{\text{ABC}} = 100\mu\text{A}$	Input	-	4.5	-	-	4.5	-	pF
	C_O		Output	-	7.5	-	-	7.5	-	pF
Output Resistance	R_O	$I_{\text{ABC}} = 100\mu\text{A}$	-	63	-	-	63	-	$\text{M}\Omega$	

Test Circuits and Waveforms

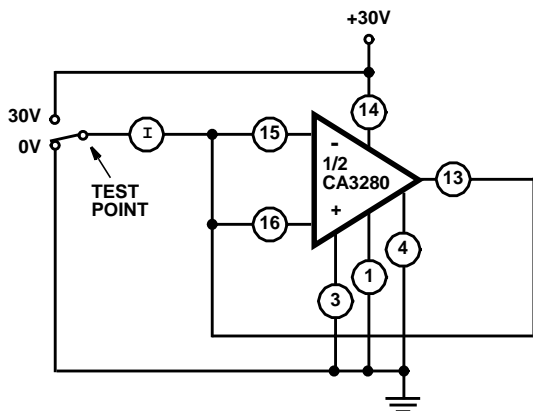


FIGURE 1. LEAKAGE CURRENT TEST CIRCUIT

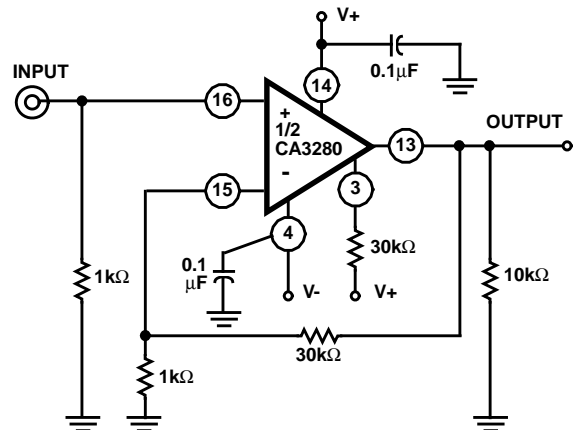


FIGURE 2. CHANNEL SEPARATION TEST CIRCUIT

Test Circuits and Waveforms (Continued)

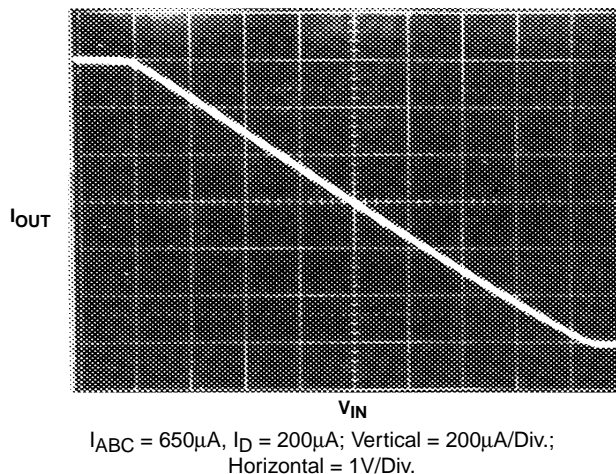
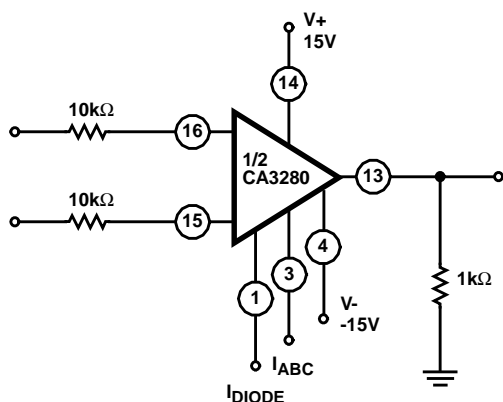


FIGURE 3A. EFFECTS OF DIODE LINEARIZATION, WITH DIODE PROGRAMMING TERMINAL ACTIVE

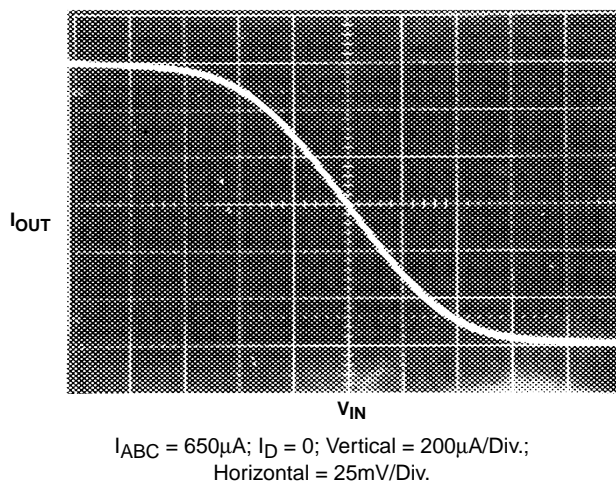
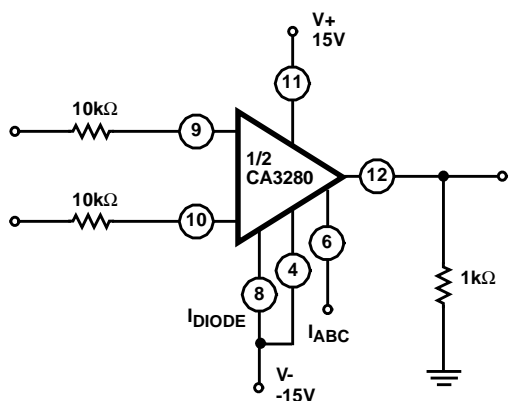


FIGURE 3B. WITH DIODE PROGRAMMING TERMINAL CUTOFF

FIGURE 3. CA3280 TRANSFER CHARACTERISTICS

Application Information

Figures 4 and 5 show the equivalent circuits for the current source and linearization diodes in the CA3280. The current through the linearization network is approximately equal to the programming current. There are several advantages to driving these diodes with a current source. First, only the offset current from the biasing network flows through the input resistor. Second, another input is provided to extend the gain control dynamic range. And third, the input is truly differential and can accept signals within the common mode range of the CA3280.

Typical Applications

The structure of the variable operational amplifier eliminates the need for matched resistor networks in differential to single ended converters, as shown in Figure 6. A matched resistor

network requires ratio matching of 0.01% or trimming for 80dB of common-mode rejection. The CA3280, with its excellent common mode rejection ratio, is capable of converting a small ($\pm 25\text{mV}$) differential input signal to a single-ended output without the need for a matched resistor network.

Figure 7 shows the CA3280 in a typical gain control application. Gain control can be performed with the amplifier bias current (I_{ABC}). With no diode bias current, the gain is merely $g_M R_L$. For example, with an I_{ABC} of 1mA, the g_M is approximately 16mS. With the CA3280 operating into a 5kΩ resistor, the gain is 80.

The need for external buffers can be eliminated by the use of low value load resistors, but the resulting increase in the required amplifier bias current reduces the input impedance

of the CA3280. The linearization diode impedance also decreases as the diode bias current increases, which further loads the input. The diodes, in addition to acting as a linearization network, also operate as an additional attenuation system to accommodate input signals in the volt range when they are applied through appropriate input resistors.

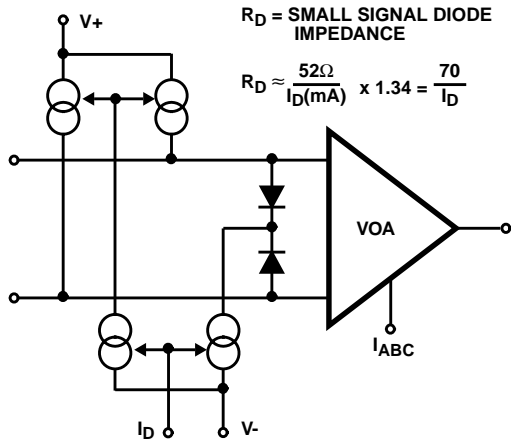


FIGURE 4. VOA SHOWING LINEARIZATION DIODES AND CURRENT DRIVE

Figure 10 shows a triangle wave to sine wave converter using the CA3280. Two 100kΩ resistors are connected between the differential amplifier emitters and V+ to reduce the current flow through the differential amplifier. This allows the amplifier to fully cut off during peak input signal excursions. THD is appropriately 0.37% for this circuit.

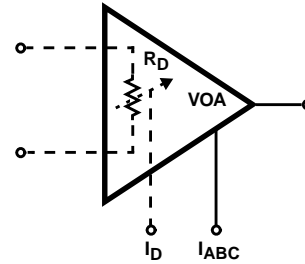


FIGURE 5. BLOCK DIAGRAM OF LINEARIZED VOA

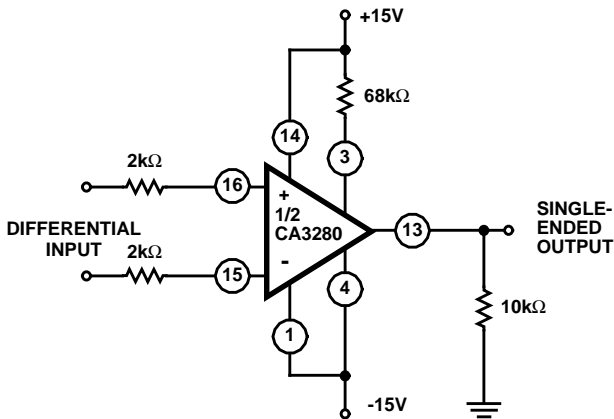


FIGURE 6. DIFFERENTIAL TO SINGLE ENDED CONVERTER

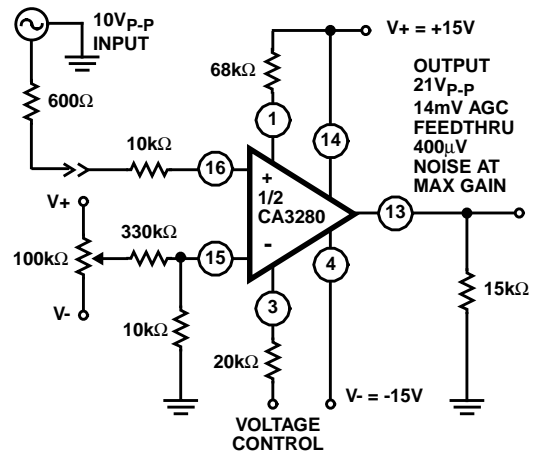


FIGURE 7. TYPICAL GAIN CONTROL CIRCUIT

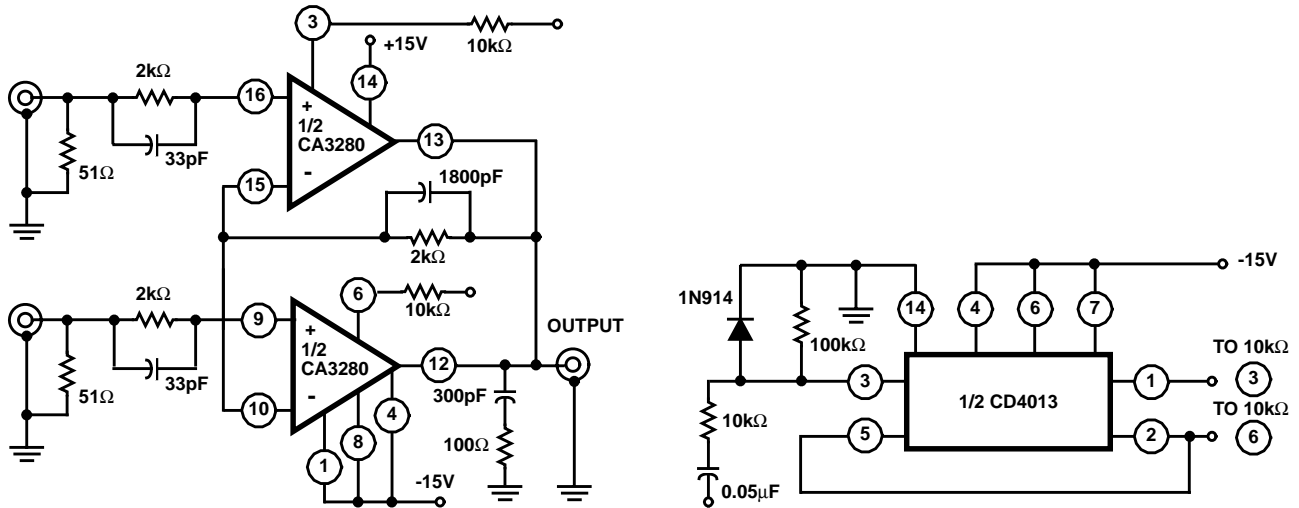


FIGURE 8. TWO CHANNEL LINEAR MULTIPLEXER

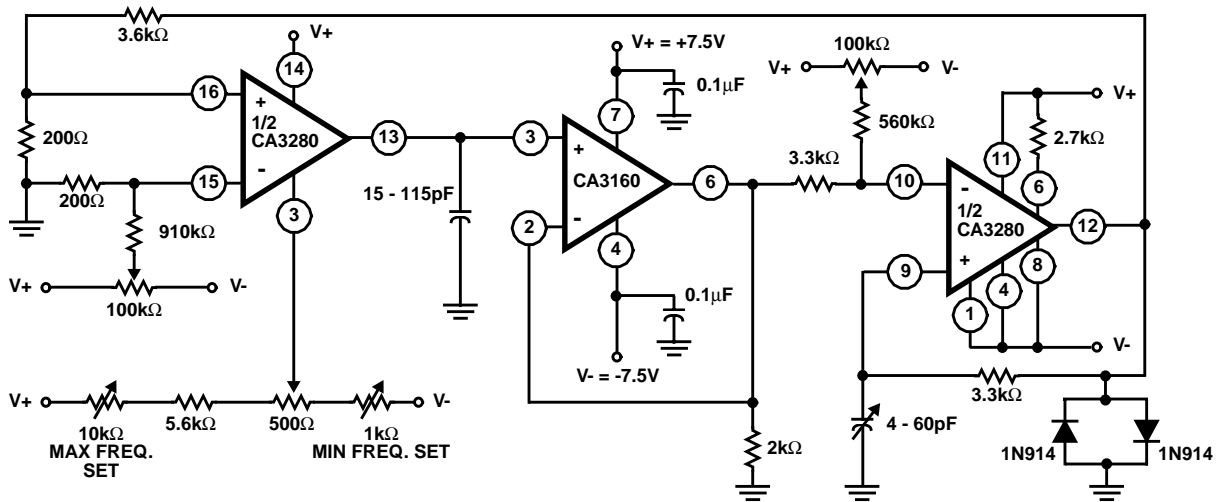


FIGURE 9. CA3280 USED IN CONJUNCTION WITH A CA3160 TO PROVIDE A FUNCTION GENERATOR WITH A TUNABLE RANGE OF 2Hz TO 1MHz

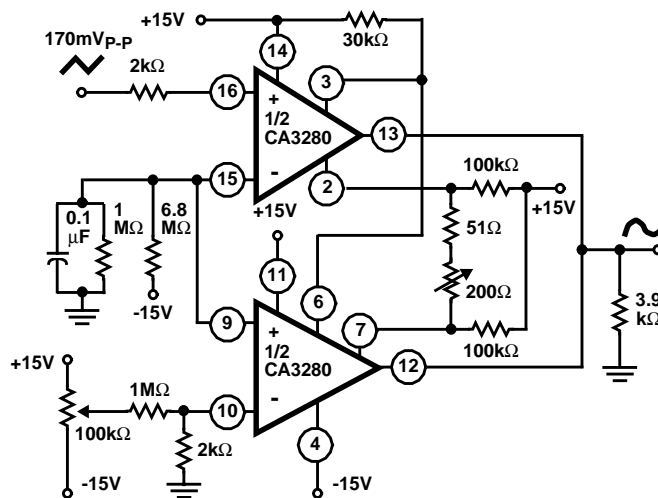


FIGURE 10. TRIANGLE WAVE-TO-SINE WAVE CONVERTER

Typical Performance Curves

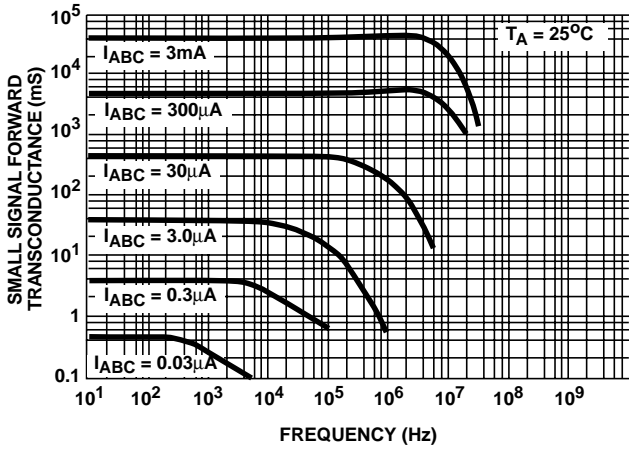


FIGURE 11. AMPLIFIER GAIN vs FREQUENCY

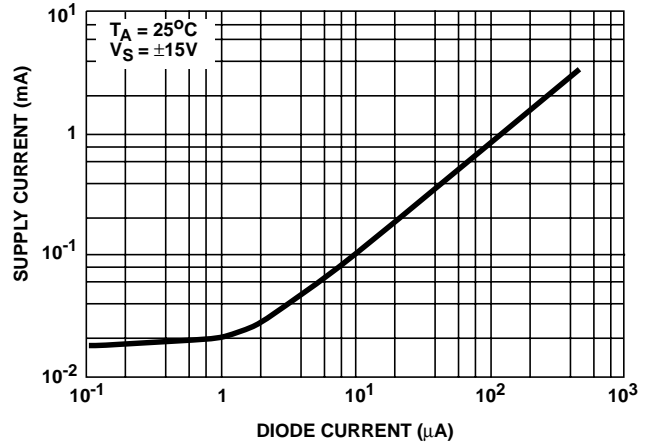


FIGURE 12. SUPPLY CURRENT vs DIODE CURRENT

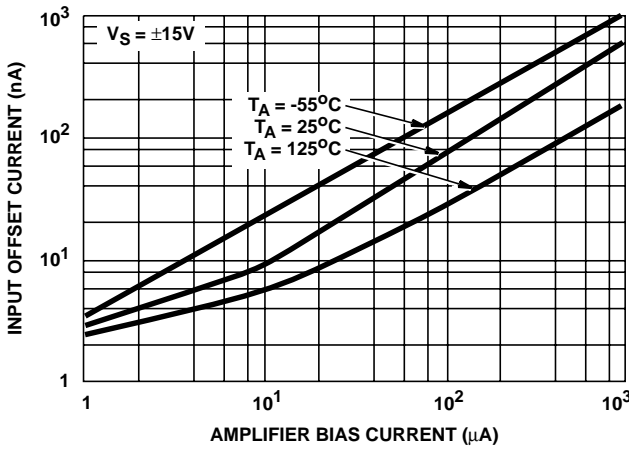


FIGURE 13. INPUT OFFSET CURRENT vs AMPLIFIER BIAS CURRENT

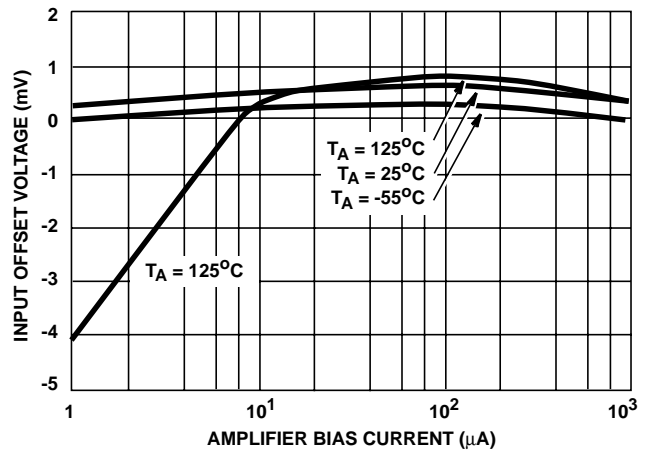


FIGURE 14. INPUT OFFSET VOLTAGE vs AMPLIFIER BIAS CURRENT

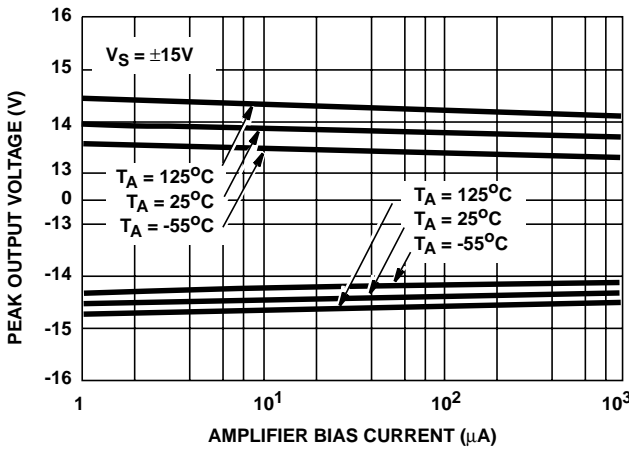


FIGURE 15. PEAK OUTPUT VOLTAGE vs AMPLIFIER BIAS CURRENT

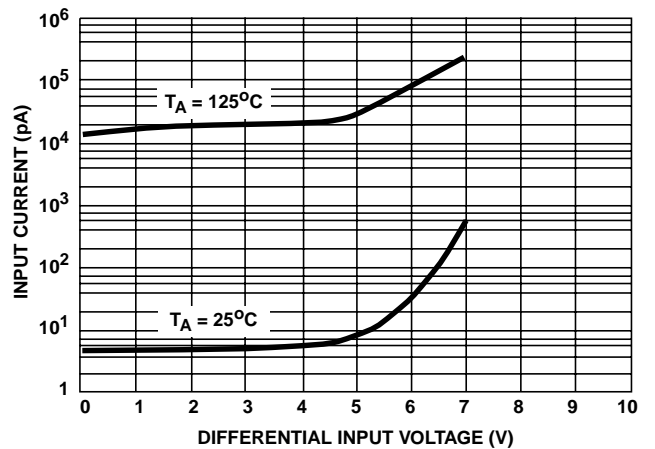


FIGURE 16. INPUT CURRENT vs INPUT DIFFERENTIAL VOLTAGE

Typical Performance Curves (Continued)

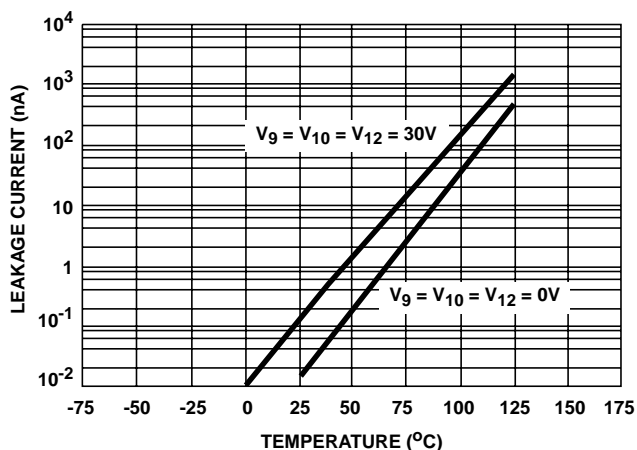


FIGURE 17. LEAKAGE CURRENT vs TEMPERATURE

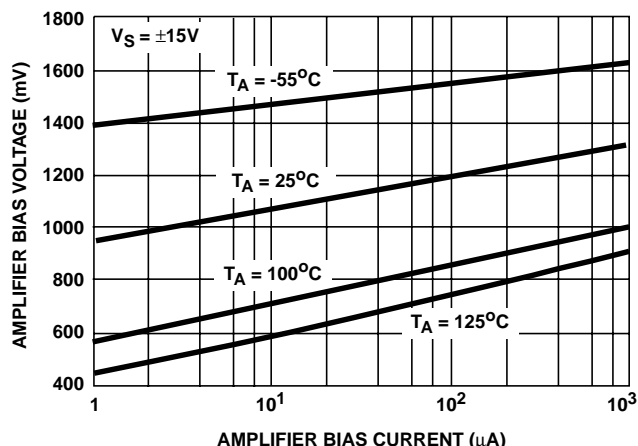


FIGURE 18. AMPLIFIER BIAS VOLTAGE vs AMPLIFIER BIAS CURRENT

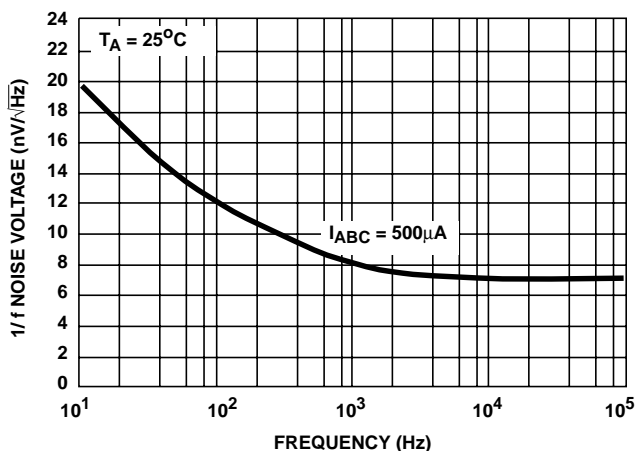


FIGURE 19. 1/f NOISE vs FREQUENCY

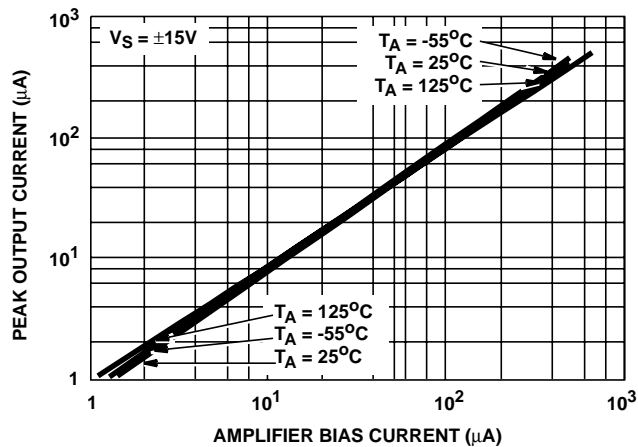


FIGURE 20. PEAK OUTPUT CURRENT vs AMPLIFIER BIAS CURRENT

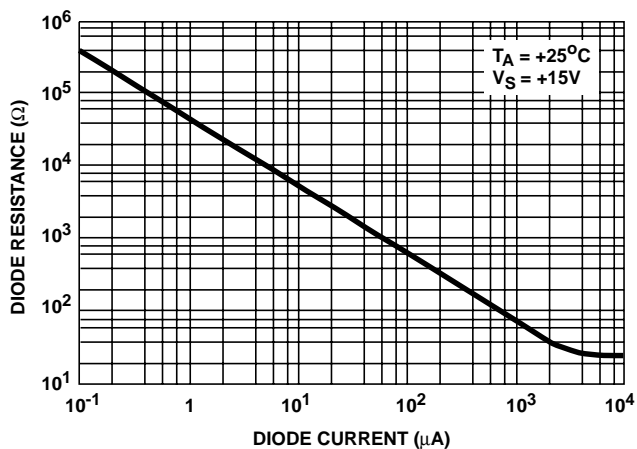


FIGURE 21. DIODE RESISTANCE vs DIODE CURRENT

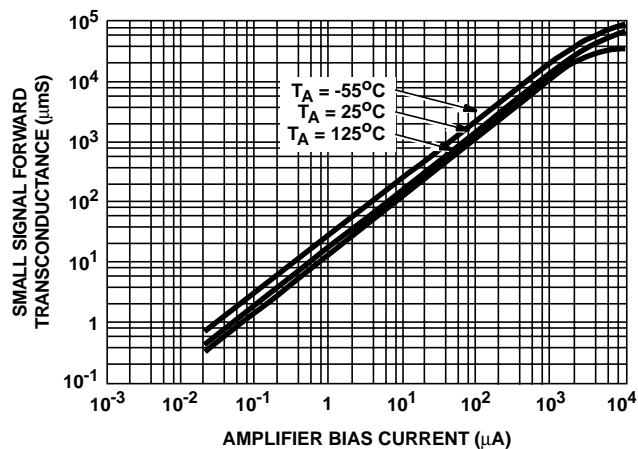


FIGURE 22. AMPLIFIER GAIN vs AMPLIFIER BIAS CURRENT

Typical Performance Curves (Continued)

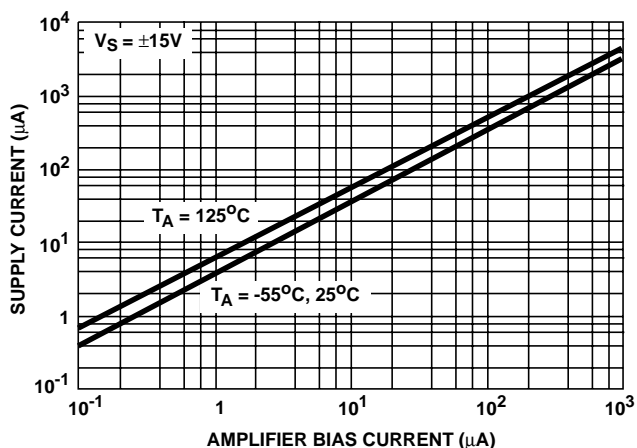


FIGURE 23. SUPPLY CURRENT vs AMPLIFIER BIAS CURRENT

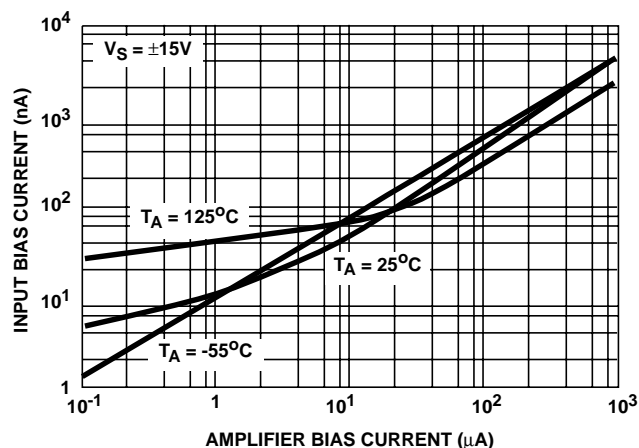
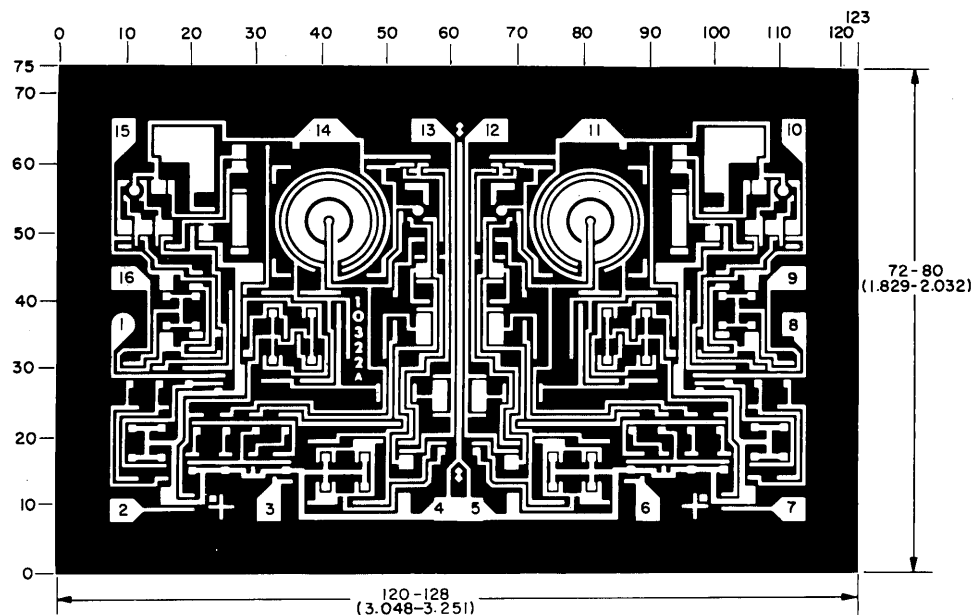


FIGURE 24. INPUT BIAS CURRENT vs AMPLIFIER BIAS CURRENT

Metallization Mask Layout



Dimensions in parentheses are in millimeters and derived from the basic inch dimensions as indicated. Grid graduations are in mils (10^{-3} inch).

The photographs and dimensions represent a chip when it is part of the wafer. When the wafer is cut into chips, the cleavage angles are 57° instead of 90° with respect to the face of the chip. Therefore, the isolated chip is actually 7 mils (0.17mm) larger in both dimensions.