

Features

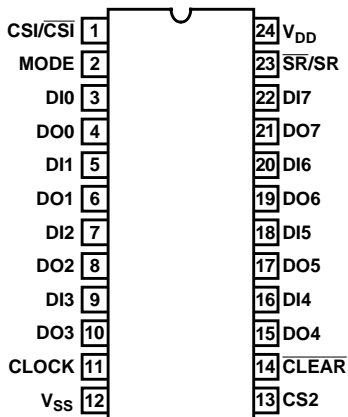
- Static Silicon-Gate CMOS Circuitry
- Parallel 8-Bit Data Register and Buffer
- Handshaking Via Service Request Flip-Flop
- Low Quiescent and Operating Power
- Interfaces Directly with CDP1800-Series Microprocessors
- Single Voltage Supply
- Full Military Temperature Range (-55°C to +125°C)

Ordering Information

PACKAGE	TEMP. RANGE	5V	10V	PKG. NO
SBDIP	-55°C to +125°C	CDP1852CD3	CDP1852D3	D24.6

Pinout

CDP1852/3, CDP1852C/3 (SBDIP)
TOP VIEW



Description

The CDP1852/3 and CDP1852C/3 are parallel, 8-bit, mode-programmable input/output ports. They are compatible and will interface directly with CDP1800-Series microprocessors. They are also useful as 8-bit address latches when used with the CDP1800 multiplexed address bus and as I/O ports in general-purpose applications.

The mode control is used to program the device as an input port (mode = 0) or as an output port (mode = 1). The $\overline{\text{SR}}/\text{SR}$ output can be used as a signal to indicate when data is ready to be transferred. In the input mode, a peripheral device can strobe data into the CDP1852/3, and microprocessor can read that data by device selection. In the output mode, a microprocessor strobes data into the CDP1852/3, and handshaking is established with a peripheral device when the CDP1852/3 is deselected.

In the input mode, data at the data-in terminals (DI0-DI7) is strobed into the port's 8-bit register by a high (1) level on the clock line. The negative high-to-low transition of the clock latches the data in the register and sets the service request output low (SR/SR = 0). When CS1/ $\overline{\text{CS1}}$ and CS2 are high (CS1/ $\overline{\text{CS1}}$ and CS2 = 1), the three-state output drivers are enabled and data in the 8-bit register appear at the data-out terminals (DO0-DO7). When either CS1/ $\overline{\text{CS1}}$ or CS2 goes low (CS1/ $\overline{\text{CS1}}$ or CS2 = 0), the data-out terminals are tristated and the service request output returns high ($\overline{\text{SR}}/\text{SR} = 1$).

In the output mode, the output drivers are enabled at all times. Data at the data-in terminals (DI0-DI7) is strobed into the 8-bit register when CS1/ $\overline{\text{CS1}}$ is low (CS1/ $\overline{\text{CS1}}$ = 0) and CS2 and the clock are high (1), and are present at the data-out terminals (DO0-DO7). The negative high-to-low transition of the clock latches the data in the register. The $\overline{\text{SR}}/\text{SR}$ output goes high ($\overline{\text{SR}}/\text{SR} = 1$) when the device is deselected (CS1/ $\overline{\text{CS1}}$ = 1 or CS2 = 0) and returns low (SR/SR = 0) on the following trailing edge of the clock.

A $\overline{\text{CLEAR}}$ control is provided for resetting the port's register (DO0-DO7 = 0) and service request flip-flop (input mode: $\overline{\text{SR}}/\text{SR} = 1$ and output mode: SR/SR = 0).

The CDP1852/3 is functionally identical to the CDP1852C/3. The CDP1852/3 has a recommended operating voltage range of 4V to 10.5V, and the CDP1852C/3 has a recommended operating voltage range of 4V to 6.5V.

The CDP1852/3 and CDP1852C/3 are supplied in 24-lead, dual-in-line side-braced ceramic packages (D suffix).

Block Diagram of CDP1852/3

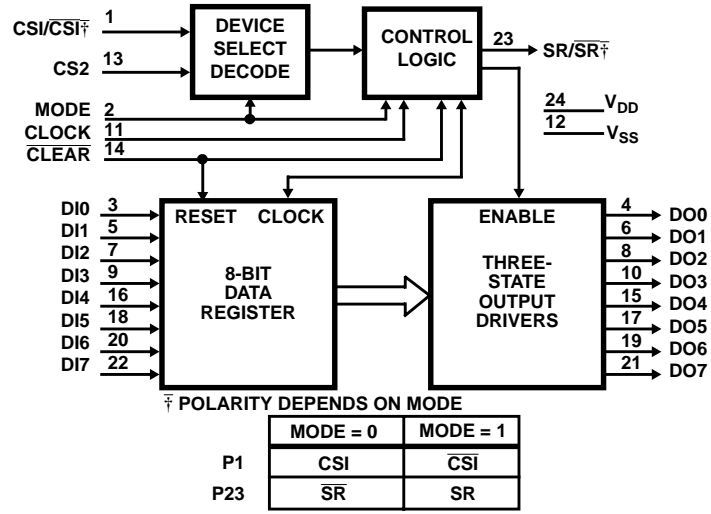


FIGURE 1.

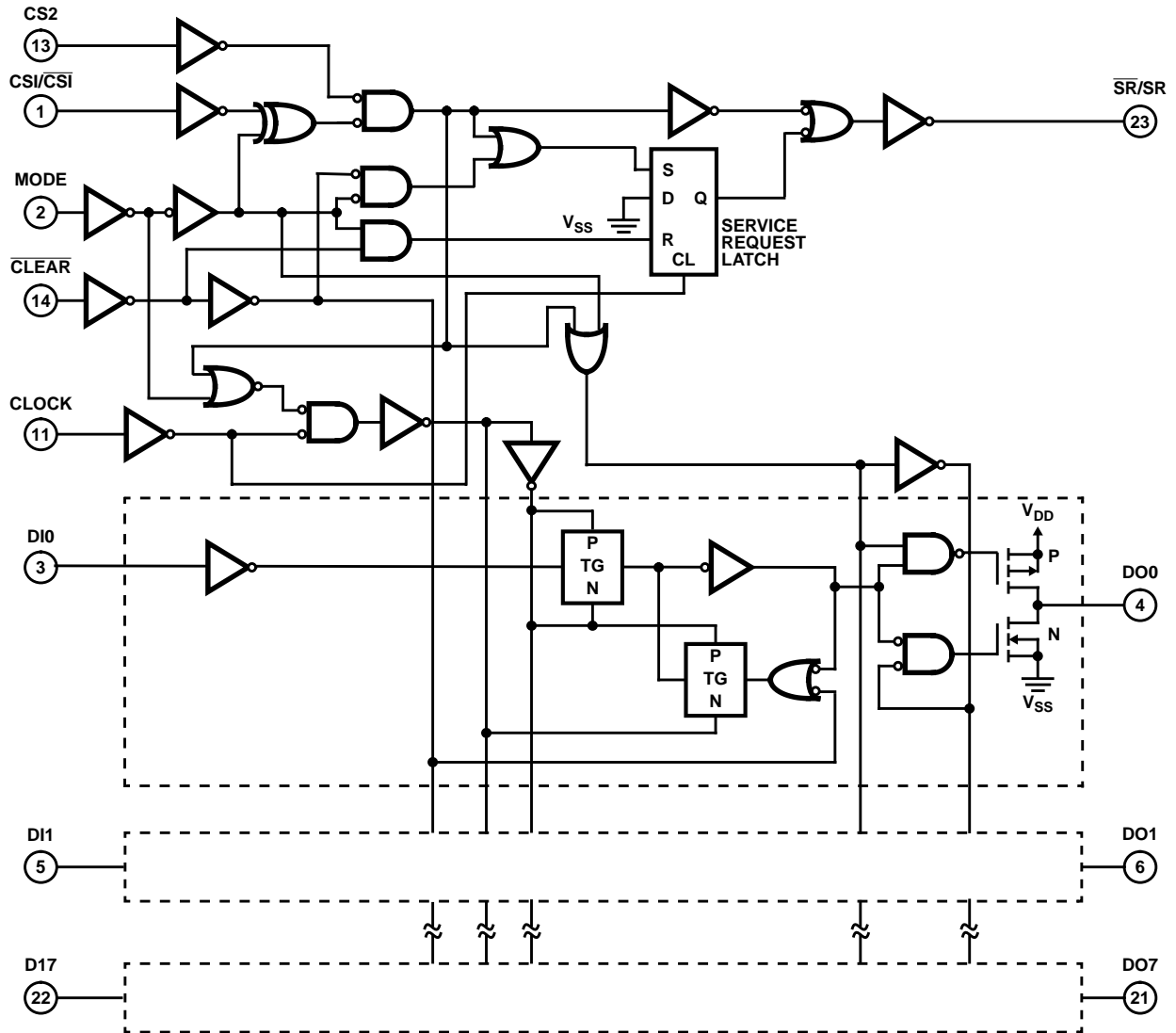


FIGURE 2. CDP1852/3 LOGIC DIAGRAM

CDP1852/3, CDP1852C/3

Absolute Maximum Ratings

DC Supply Voltage Range, (V_{DD}): (All Voltages Referenced to V_{SS} Terminal)	
CDP1852/3	-0.5V to +11V
CDP1852C/3	-0.5V to +7V
Input Voltage Range, All Inputs	-0.5V to $V_{DD} + 0.5V$
DC Input Current, any One Input	$\pm 10mA$

Thermal Information

Thermal Resistance (Typical)	θ_{JA} ($^{\circ}C/W$)	θ_{JC} ($^{\circ}C/W$)
SBDIP Package	65	20
Device Dissipation Per Output Transistor		
T_A = Full Package Temperature Range (All Package Types)		100mW
Operating Temperature Range (T_A)		
Package Type D	-55 $^{\circ}C$ to +125 $^{\circ}C$	
Storage Temperature Range (T_{STG})	-65 $^{\circ}C$ to +150 $^{\circ}C$	
Lead Temperature (During Soldering):		
At distance 1/16 \pm 1/32 in (1.59 \pm 0.79mm)		
From Case for 10s max		+265 $^{\circ}C$

CAUTION: Stresses above those listed in "Absolute Maximum Ratings" may cause permanent damage to the device. This is a stress only rating and operation of the device at these or any other conditions above those indicated in the operational sections of this specification is not implied.

Recommended Operating Conditions T_A = Full-Package Temperature Range. For maximum reliability, operating conditions should be selected so that operation is always within the following ranges.

PARAMETER	LIMITS				UNITS
	CDP1852/3		CDP1852C/3		
	MIN	MAX	MIN	MAX	
DC Operating Voltage Range	4	10.5	4	6.5	V
Input Voltage Range	V_{SS}	V_{DD}	V_{SS}	V_{DD}	V

Static Electrical Specifications $V_{IN} = 0$ or V_{DD} , Except as Noted

PARAMETER	SYMBOL	TEST CONDITIONS	LIMITS				UNITS
			-55 $^{\circ}C$, +25 $^{\circ}C$		+125 $^{\circ}C$		
			MIN	MAX	MIN	MAX	
Quiescent Device Current (Note 1)	I_{DD}	$V_{DD} = 5V$	-	10	-	100	μA
		$V_{DD} = 10V$	-	20	-	300	μA
Output Low Drive (Sink) Current	I_{OL}	$V_{DD} = 5V, V_O = 0.4V$	2.6	-	1.9	-	mA
		$V_{DD} = 10V, V_O = 0.5V$	6.1	-	4.1	-	mA
Output High Drive (Source) Current	I_{OH}	$V_{DD} = 5V, V_O = 4.6V$	-1.8	-	-1.3	-	mA
		$V_{DD} = 10V, V_O = 9.5V$	-4.4	-	-2.9	-	mA
Output Voltage Low Level	V_{OL}	$V_{DD} = 5V, I_{OL} = 0\mu A$	-	0.1	-	0.2	V
		$V_{DD} = 10V, I_{OL} = 0\mu A$	-	0.1	-	0.2	V
Output Voltage High Level	V_{OH}	$V_{DD} = 5V, I_{OL} = 0\mu A$	4.9	-	4.8	-	V
		$V_{DD} = 10V, I_{OL} = 0\mu A$	9.9	-	9.8	-	V
Input Low Voltage	V_{IL}	$V_{DD} = 5V, V_O = 0.2, 4.8V$	-	1.5	-	1.5	V
		$V_{DD} = 10V, V_O = 0.2, 9.8V$	-	3	-	3	V
Input High Voltage	V_{IH}	$V_{DD} = 5V, V_O = 0.2, 4.8V$	3.5	-	3.5	-	V
		$V_{DD} = 10V, V_O = 0.2, 9.8V$	7	-	7	-	V
Input Leakage Low	I_{IL}	$V_{DD} = 5V, V_{IN} = 0V$	-	-1	-	-5	μA
		$V_{DD} = 10V, V_{IN} = 0V$	-	-1	-	-5	μA
Input Leakage High	I_{IH}	$V_{DD} = 5V, V_{IN} = 5V$	-	1	-	5	μA
		$V_{DD} = 10V, V_{IN} = 10V$	-	1	-	5	μA

CDP1852/3, CDP1852C/3

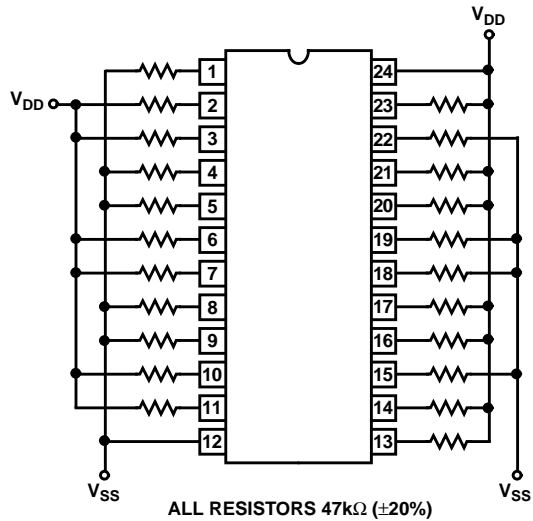
Static Electrical Specifications $V_{IN} = 0$ or V_{DD} , Except as Noted (Continued)

PARAMETER	SYMBOL	TEST CONDITIONS	LIMITS				UNITS
			-55°C, +25°C		+125°C		
			MIN	MAX	MIN	MAX	
Three-State Output Leakage Low	I_{OZL}	$V_{DD} = 5V, V_O = 0V$	-	-1	-	-5	μA
		$V_{DD} = 10V, V_O = 0V$	-	-1	-	-5	μA
Three-State Output Leakage High	I_{OZH}	$V_{DD} = 5V, V_O = 5V$	-	1	-	5	μA
		$V_{DD} = 10V, V_O = 10V$	-	1	-	5	μA
Input Capacitance	C_{IN}	Note 2	-	10	-	10	pF
Output Capacitance	C_{OUT}	Note 2	-	15	-	15	pF

NOTES:

- The CDP1852C/3 meets all 5V static electrical specifications of the CDP1852/3 except +125°C quiescent device current for which the limit is $I_{DD} = 300\mu A$.
- Input and output capacitance are guaranteed but not tested.

Static Burn-In Circuit



TYPE NO.	V_{DD}	TEMPERATURE	TIME
CDP1852/3	11V	+125°C	160 Hrs. Min.
CDP1852C/3	7V	+125°C	160 Hrs. Min.

Dynamic Electrical Specifications Mode = 0 Input Port, See Figure 3, Input $t_r, t_f \leq 15ns$; $C_L = 50pF$

PARAMETER	SYMBOL	V_{DD} VOLTS	LIMITS (NOTE 1)				UNITS
			-55°C, +25°C		+125°C		
			(NOTE 1) MIN	MAX	(NOTE 1) MIN	MAX	
Select Duration	t_{SW}	5	250	-	360	-	ns
		10	150	-	180	-	ns
Clock Pulse Width	t_{WW}	5	150	-	200	-	ns
		10	90	-	110	-	ns
Clear Pulse Width	t_{CLR}	5	110	-	160	-	ns
		10	50	-	80	-	ns
Data-In to Clock Fall Setup Time	t_{DS}	5	-10	-	-10	-	ns
		10	-5	-	-5	-	ns

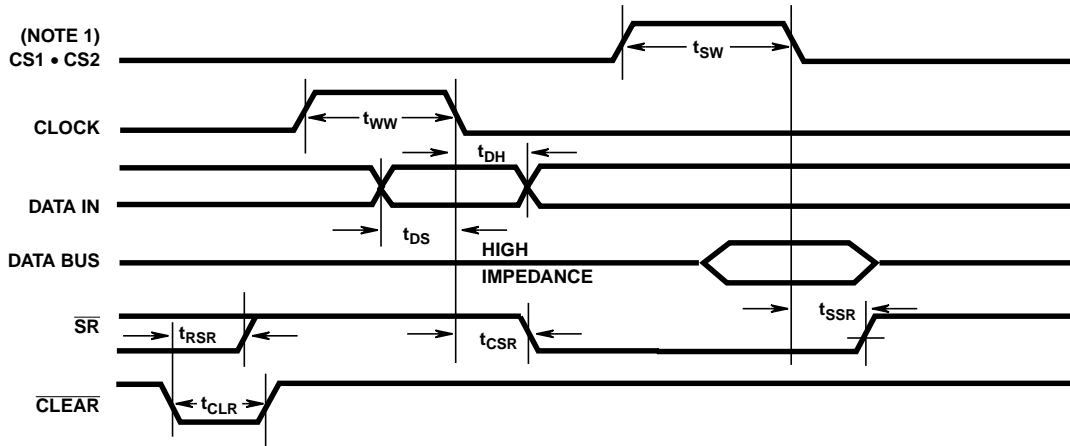
CDP1852/3, CDP1852C/3

Dynamic Electrical Specifications Mode = 0 Input Port, See Figure 3, Input $t_r, t_f \leq 15\text{ns}$; $C_L = 50\text{pF}$ (Continued)

PARAMETER	SYMBOL	V_{DD} VOLTS	LIMITS (NOTE 1)				UNITS
			-55°C, +25°C		+125°C		
			(NOTE 1) MIN	MAX	(NOTE 1) MIN	MAX	
Data-In After Clock Fall Hold Time	t_{DH}	5	150	-	170	-	ns
		10	70	-	100	-	ns
Propagation Delay Times: Clear to \overline{SR}	t_{RSR}	5	-	200	-	340	ns
		10	-	110	-	170	ns
Clock to \overline{SR}	t_{CSR}	5	-	175	-	220	ns
		10	-	110	-	130	ns
Deselect to \overline{SR}	t_{SSR}	5	-	175	-	240	ns
		10	-	110	-	120	ns

NOTE:

- Time required by a device to allow for the indicated function.



NOTE:

- $CS1 \cdot CS2$ is the overlap of $CS1 = 1$ and $CS2 = 1$.

MODE = 0 TRUTH TABLE			
CLOCK	$CS1 \cdot CS2$ (Note 1)	\overline{CLEAR}	DATA OUT EQUALS
X	0	X	High Impedance
0	1	0	0
0	1	1	Data Latch
1	1	X	Data In

SERVICE REQUEST TRUTH TABLE	
Clock =	$CS1$ or $CS2 =$ or $\overline{CLEAR} = 0$
$\overline{SR} = 0$	$\overline{SR} = 1$

NOTE:

- $CS1 \cdot CS2 = CS1 = 1, CS2 = 1$.

FIGURE 3. MODE = 0 INPUT PORT TIMING WAVEFORMS AND TRUTH TABLES

CDP1852/3, CDP1852C/3

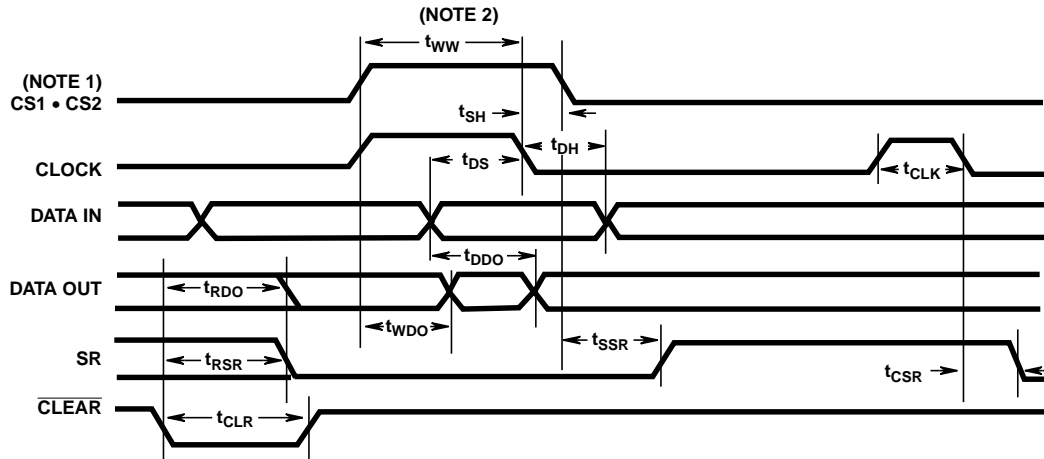
Dynamic Electrical Specification Mode = 1 Output Port, See Figure 4, Input t_r , $t_f \leq 15\text{ns}$; $C_L = 50\text{pF}$

PARAMETER	SYMBOL	V_{DD} VOLTS	LIMITS (NOTE 1)				UNITS
			-55°C, +25°C		+125°C		
			(NOTE 1) MIN	MAX	(NOTE 1) MIN	MAX	
Clock Pulse Width	t_{CLK}	5	170	-	260	-	ns
		10	90	-	130	-	ns
Write Width Duration	t_{WW}	5	200	-	260	-	ns
		10	110	-	130	-	ns
Clear Pulse Width	t_{CLR}	5	110	-	135	-	ns
		10	60	-	75	-	ns
Data-In to Clock Fall Setup Time	t_{DS}	5	-10	-	-10	-	ns
		10	-5	-	-5	-	ns
Data Hold from Write Termination	t_{DH}	5	130	-	170	-	ns
		10	70	-	90	-	ns
Select-After Clock-Fall Hold Time	t_{SH}	5	0	-	0	-	ns
		10	0	-	0	-	ns
Propagation Delay Times: Clear to Data	t_{RDO}	5	-	215	-	290	ns
		10	-	140	-	190	ns
Write to Data Out	t_{WDO}	5	-	250	-	350	ns
		10	-	130	-	190	ns
Data In to Data Out	t_{DDO}	5	-	150	-	200	ns
		10	-	80	-	100	ns
Clear to SR	t_{RSR}	5	-	175	-	240	ns
		10	-	120	-	160	ns
Clock to SR	t_{CSR}	5	-	170	-	240	ns
		10	-	90	-	120	ns
Deselect to SR	t_{SSR}	5	-	170	-	240	ns
		10	-	90	-	120	ns

NOTE:

1. Time required by a device to allow for the indicated function.

CDP1852/3, CDP1852C/3



NOTES:

1. CS1 • CS2 is the overlap of the $\overline{CS1} = 0$ and CS2 = 1.
2. Write is the overlap of CS1 • CS2 and clock.

MODE = 1 TRUTH TABLE			
CLOCK	$\overline{CS1} \cdot CS2$ (NOTE 1)	CLEAR	DATA OUT EQUALS
0	X	0	0
0	X	1	Data Latch
X	0	1	Data Latch
1	1	X	Data In

SERVICE REQUEST TRUTH TABLE	
CS1	Clock • ($\overline{CS1} \cdot CS2$)
or CS2	or $\overline{CLEAR} = 0$
SR = 1	SR = 0

NOTE:

1. $\overline{CS1} \cdot CS2 = \overline{CS1} = 0$, CS2 = 1

FIGURE 4. MODE = 1 OUTPUT PORT TIMING WAVEFORMS AND TRUTH TABLES

All Intersil semiconductor products are manufactured, assembled and tested under **ISO9000** quality systems certification.

Intersil products are sold by description only. Intersil Corporation reserves the right to make changes in circuit design and/or specifications at any time without notice. Accordingly, the reader is cautioned to verify that data sheets are current before placing orders. Information furnished by Intersil is believed to be accurate and reliable. However, no responsibility is assumed by Intersil or its subsidiaries for its use; nor for any infringements of patents or other rights of third parties which may result from its use. No license is granted by implication or otherwise under any patent or patent rights of Intersil or its subsidiaries.

For information regarding Intersil Corporation and its products, see web site <http://www.intersil.com>

Sales Office Headquarters

NORTH AMERICA
Intersil Corporation
P. O. Box 883, Mail Stop 53-204
Melbourne, FL 32902
TEL: (407) 724-7000
FAX: (407) 724-7240

EUROPE
Intersil SA
Mercure Center
100, Rue de la Fusee
1130 Brussels, Belgium
TEL: (32) 2.724.2111
FAX: (32) 2.724.22.05

ASIA
Intersil (Taiwan) Ltd.
Taiwan Limited
7F-6, No. 101 Fu Hsing North Road
Taipei, Taiwan
Republic of China
TEL: (886) 2 2716 9310
FAX: (886) 2 2715 3029