

**5V Low Power Subscriber DTMF Receiver**

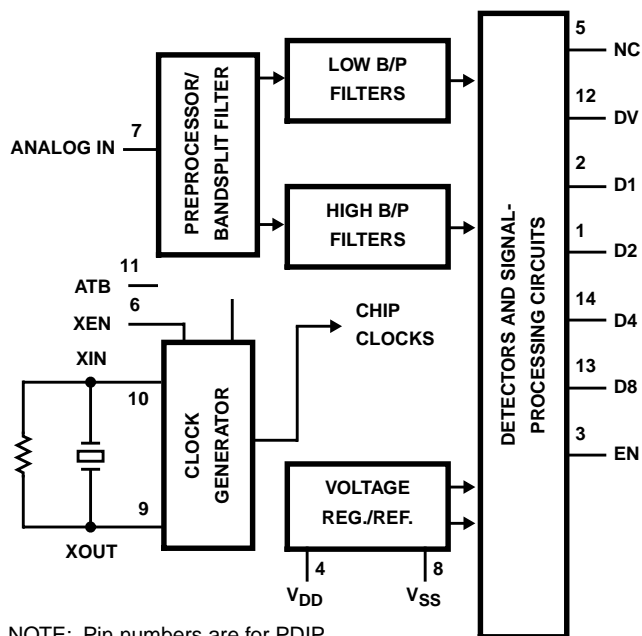
The CD22204 complete dual tone multiple frequency (DTMF) receiver detects a selectable group of 12 or 16 standard digits. No front-end pre-filtering is needed. The only externally required components are an inexpensive 3.579545MHz TV “colorburst” crystal (for frequency reference) and a bias resistor. Extremely high system density is possible through the use of the Alternate Time Base (ATB) output of a crystal connected CD22204 receiver to drive the time bases of up to 10 additional receivers. This is a monolithic integrated circuit fabricated with low power, complementary symmetry CMOS processing. It only requires a single power supply.

The CD22204 employs state-of-the-art “switched-capacitor” filter technology, resulting in approximately 40 poles of filtering and digital circuitry on the same CMOS chip. The analog input is preprocessed by 60Hz reject and bandsplitting filters and then zero-cross detected to provide AGC. Eight bandpass filters detect the individual tones. Digital processing is used to measure the tone and pause durations and provides the correctly coded and timed digital outputs. The outputs interface directly to standard CMOS circuitry and are three-state enabled to facilitate bus oriented architectures.

**Ordering Information**

PART NUMBER	TEMP. RANGE (°C)	PACKAGE	PKG. NO.
CD22204E	0 to 70	14 Ld PDIP	E14.3

**Functional Diagram**

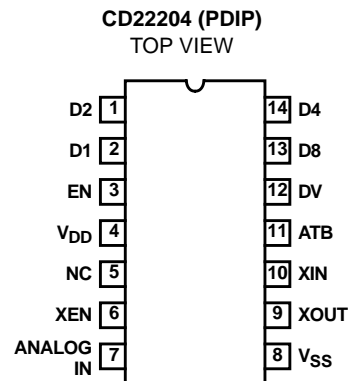


NOTE: Pin numbers are for PDIP.

**Features**

- No Front End Band Splitting Filters Required
- Single Low Tolerance 5V Supply
- Three-State Outputs for Microprocessor Based Systems
- Detects all 16 Standard DTMF Digits
- Uses Inexpensive 3.579545MHz Crystal
- Excellent Speech Immunity
- Output in 4-Bit Hexadecimal Code
- Excellent Latch-Up Immunity

**Pinouts**



**Absolute Maximum Ratings** (Note 1)

DC Supply Voltage ( $V_{DD}$ ) (Referenced to  $V_{SS}$  Terminal) . . . . . 7V  
 Power Dissipation  
 $T_A = 25^{\circ}\text{C}$  (Derate above  $T_A = 25^{\circ}\text{C}$  at 6.25mW/ $^{\circ}\text{C}$ ) . . . . . 65mW  
 Input Voltage Range  
 All Inputs Except Analog In . . . . . ( $V_{DD} - 0.5\text{V}$ ) to  $-0.5\text{V}$   
 Analog In Voltage Range . . . . . ( $V_{DD} - 0.5\text{V}$ ) to ( $V_{DD} - 10\text{V}$ )  
 DC Current into any Input or Output . . . . .  $\pm 20\text{mA}$

**Thermal Information**

Maximum Junction Temperature . . . . .  $175^{\circ}\text{C}$   
 Maximum Storage Temperature Range . . . . .  $-65^{\circ}\text{C}$  to  $150^{\circ}\text{C}$   
 Maximum Lead Temperature (Soldering 10s) . . . . .  $300^{\circ}\text{C}$

**Operating Conditions**

Temperature Range . . . . .  $0^{\circ}\text{C}$  to  $70^{\circ}\text{C}$

*CAUTION: Stresses above those listed in "Absolute Maximum Ratings" may cause permanent damage to the device. This is a stress only rating and operation of the device at these or any other conditions above those indicated in the operational sections of this specification is not implied.*

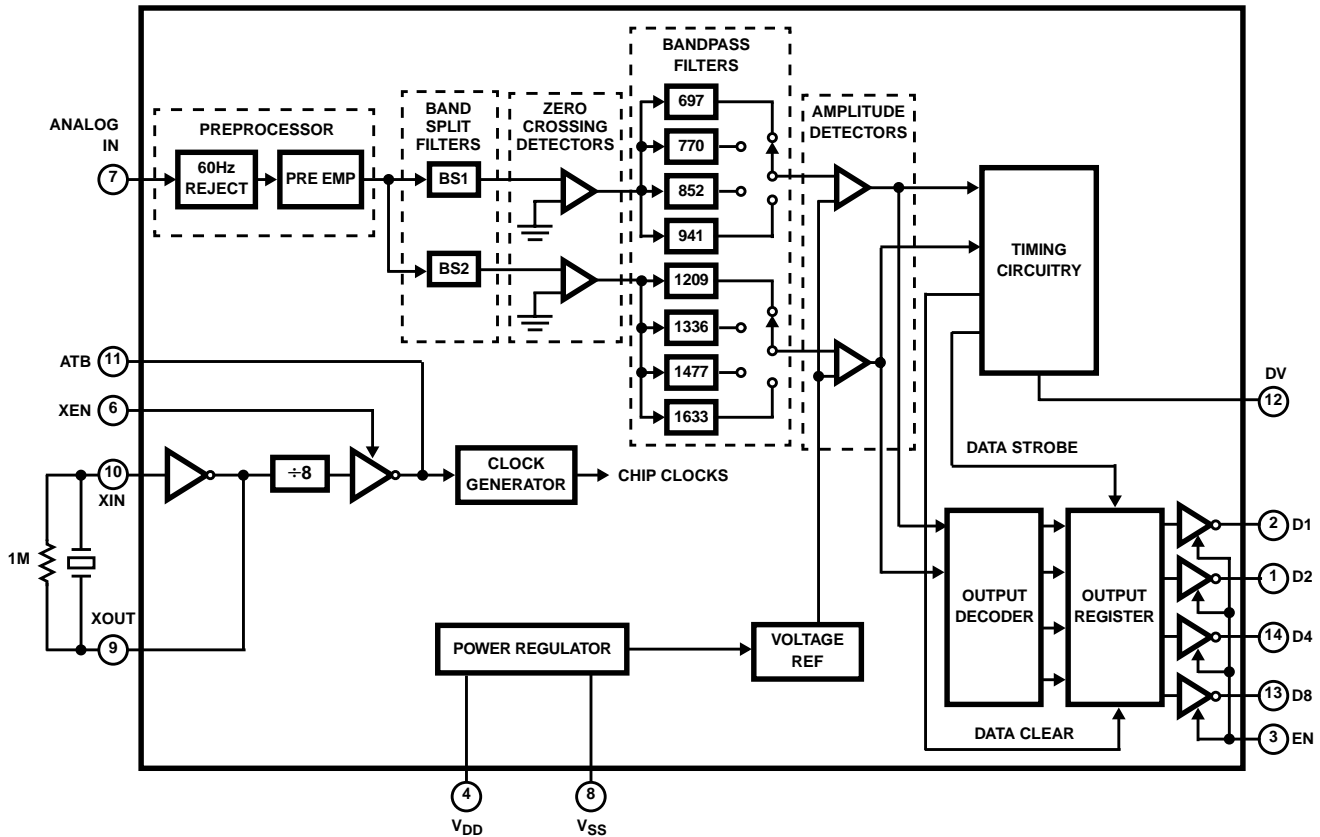
**Electrical Specifications**  $0^{\circ}\text{C} \leq T_A \leq 70^{\circ}\text{C}$ ,  $V_{DD} = 5\text{V} \pm 10\%$

PARAMETER	TEST CONDITIONS	MIN	TYP	MAX	UNITS
Frequency Detect Bandwidth		$\pm(1.5 + 2\text{Hz})$	$\pm 2.3$	$\pm 3.5$	% of $f_O$
Amplitude for Detection	Each Tone	-32 (Note 3)	-	-2	dBm Referenced to 600 $\Omega$
Minimum Acceptable Twist	Twist = $\frac{\text{High Tone}}{\text{Low Tone}}$	-8	-	+4	dB
60Hz Tolerance		-	-	0.8	$V_{RMS}$
Dial Tone Tolerance	"Precise" Dial Tone	-	-	0	dB Referenced to Lower Amplitude Tone
Talk Off	MITEL Tape #CM7291	-	2	-	Hits
Digital Outputs (except XOUT)	"0" Level, 400 $\mu\text{A}$ Load	0	-	0.5	V
	"1" Level, 200 $\mu\text{A}$ Load	$V_{DD} - 0.5$	-	$V_{DD}$	V
Digital Inputs	"0" Level	0	-	$0.3V_{DD}$	V
	"1" Level	$0.7V_{DD}$	-	$V_{DD}$	V
Supply Current	$T_A = 25^{\circ}\text{C}$	-	10	20	mA
Noise Tolerance	MITEL Tape #CM7291 (Note 2)	-	-	-12	dB Referenced to Lowest Amplitude Tone
Input Impedance	$V_{DD} \geq V_{IN} \geq (V_{DD} - 10)$	100k $\Omega$ //15pF	300k $\Omega$	-	

NOTES:

1. Unused inputs must be connected to  $V_{DD}$  or  $V_{SS}$  as appropriate.
2. Bandwidth limited (3kHz) Gaussian noise.
3. Lower minimum available, please contact sales office.  
 (-32dBm = 19.45mV $_{RMS}$ , -2dBm = 0.615mV $_{RMS}$ )

Functional Block Diagram



NOTE: Pin numbers are for plastic DIP.

System Functions

Analog In

The Analog In pin accepts the analog input. It is internally biased so that the input signal may be either AC or DC coupled, as long as it does not exceed the positive supply voltage. Proper input coupling is illustrated below.

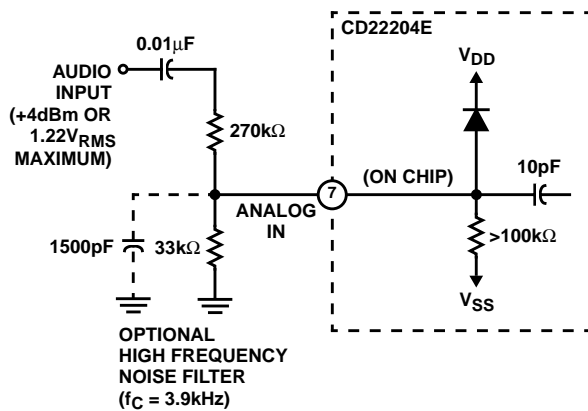


FIGURE 1. ANALOG IN

The CD22204 is designed to accept sinusoidal input waveforms, but will operate satisfactorily with any input that has the correct fundamental frequency with harmonics that are at least 20dB below the fundamental.

Crystal Oscillator

The CD22204 contains an on-board inverter with sufficient gain to provide oscillation when connected to a low cost television "color-burst" (3.579545MHz) crystal. The crystal oscillator is enabled by tying XEN high. The crystal is connected between XIN and XOUT. A 1MΩ resistor is also connected between these pins in this mode. ATB is a clock frequency output. Other CD22204 devices may use the same frequency reference by tying their ATB pins to the ATB output of a crystal connected device. XIN and XEN of the auxiliary devices must then be tied high and low, respectively. Up to ten devices may be run from a single crystal connected CD22204 as shown in Figure 2.

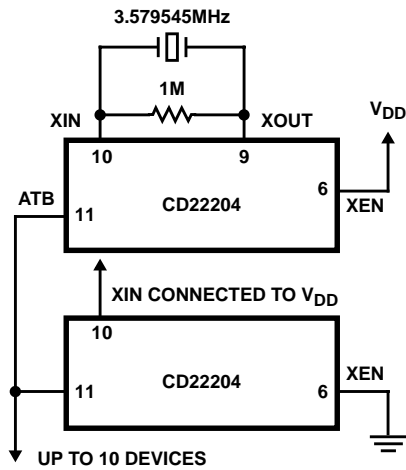


FIGURE 2. CRYSTAL OSCILLATOR

**Outputs D1, D2, D4, D8 and EN**

Outputs D1, D2, D4, D8 are CMOS push-pull when enabled (EN high) and open circuited (high impedance) when disabled by pulling EN low. These digital outputs provide the hexadecimal code corresponding to the detected digit. The digital outputs become valid after a tone pair has been detected and they are then cleared when a valid pause is timed. The table below describes the hexadecimal codes.

TABLE 1. OUTPUT CODES

DIGIT	D8	D4	D2	D1
1	0	0	0	1
2	0	0	1	0
3	0	0	1	1
4	0	1	0	0
5	0	1	0	1
6	0	1	1	0
7	0	1	1	1
8	1	0	0	0
9	1	0	0	1
0	1	0	1	0
*	1	0	1	1
#	1	1	0	0
A	1	1	0	1
B	1	1	1	0
C	1	1	1	1
D	0	0	0	0

**DV**

DV signals a detection by going high after a valid tone pair is sensed and decoded at the output pins D1, D2, D4, and D8. DV remains high until a valid pause occurs.

**N/C Pin**

This pin has no internal connection and should be left floating.

**DTMF Dialing Matrix**

	COL 0 1209Hz	COL 1 1336Hz	COL 2 1477Hz	COL 3 1633Hz
ROW 0 697Hz	1	2	3	A
ROW 1 770Hz	4	5	6	B
ROW 2 852Hz	7	8	9	C
ROW 3 941Hz	*	0	#	D

NOTE: Column 3 is for special applications and is not normally used in telephone dialing.

**Digital Inputs and Outputs**

All digital inputs and outputs of the DTMF receivers are represented by the schematic below. Only the "analog in" pin is different, and is described above. Care must be exercised not to exceed the voltage or current ratings on these pins as listed in the "maximum ratings" section.

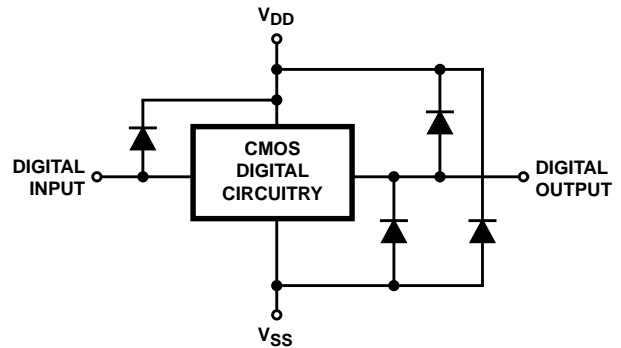


FIGURE 3. DIGITAL INPUTS AND OUTPUTS

**Input Filter**

The CD22204 will tolerate total input noise of a maximum of 12dB below the lowest amplitude tone. For most telephone applications, the combination of the high frequency attenuation of the telephone line and internal band limiting make special circuitry at the input to these receivers unnecessary. However, noise near the 56kHz internal sampling frequency will be aliased (folded back) into the audio spectrum, so if excessive noise is present above 28kHz, the simple RC filter shown below may be used to band limit the incoming signal. The cut off frequency is 3.9kHz.

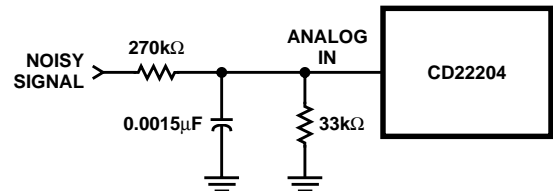


FIGURE 4. FILTER FOR USE IN EXTREME HIGH FREQUENCY INPUT NOISE ENVIRONMENT

Noise will also be reduced by placing a grounded trace around XIN and XOUT pins on the circuit board layout when using a crystal. It is important to note that XOUT is not intended to drive an additional device. XIN may be driven externally; in this case, leave XOUT floating.

**Timing Waveforms**

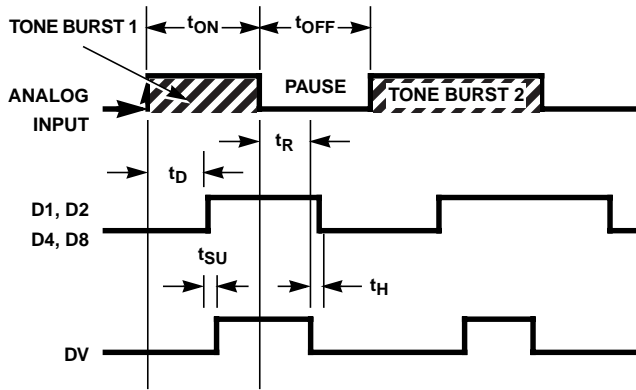


FIGURE 5.

PARAMETER	SYMBOL	MIN	TYP	MAX	UNITS
Tone Time					
For Detection	$t_{ON}$	40	-	-	ms
For Rejection	$t_{ON}$	-	-	20	ms
Pause Time					
For Detection	$t_{OFF}$	40	-	-	ms
For Rejection	$t_{OFF}$	-	-	20	ms
Detect Time	$t_D$	25	-	46	ms
Release Time	$t_R$	35		50	ms
Data Setup Time	$t_{SU}$	7	-	-	$\mu$ s
Data Hold Time	$t_H$	4.2	-	5	ms
Output Enable Time $C_L = 50\text{pF}, R_L = 1\text{k}\Omega$	-	-	200	300	ns
Output Disable Time $C_L = 35\text{pF}, R_L = 500\Omega$	-	-	150	200	ns
Output Rise Time $C_L = 50\text{pF}$	-	-	200	300	ns
Output Fall Time $C_L = 50\text{pF}$	-	-	160	250	ns

All Intersil semiconductor products are manufactured, assembled and tested under **ISO9000** quality systems certification.

*Intersil semiconductor products are sold by description only. Intersil Corporation reserves the right to make changes in circuit design and/or specifications at any time without notice. Accordingly, the reader is cautioned to verify that data sheets are current before placing orders. Information furnished by Intersil is believed to be accurate and reliable. However, no responsibility is assumed by Intersil or its subsidiaries for its use; nor for any infringements of patents or other rights of third parties which may result from its use. No license is granted by implication or otherwise under any patent or patent rights of Intersil or its subsidiaries.*

For information regarding Intersil Corporation and its products, see web site <http://www.intersil.com>

**Sales Office Headquarters**

**NORTH AMERICA**

Intersil Corporation  
P. O. Box 883, Mail Stop 53-204  
Melbourne, FL 32902  
TEL: (407) 724-7000  
FAX: (407) 724-7240

**EUROPE**

Intersil SA  
Mercure Center  
100, Rue de la Fusee  
1130 Brussels, Belgium  
TEL: (32) 2.724.2111  
FAX: (32) 2.724.22.05

**ASIA**

Intersil (Taiwan) Ltd.  
7F-6, No. 101 Fu Hsing North Road  
Taipei, Taiwan  
Republic of China  
TEL: (886) 2 2716 9310  
FAX: (886) 2 2715 3029